



Manuals.plus /

› Karinear /

› Karinear 30-Inch 8400W 5-Burner Electric Ceramic Cooktop (Model KNC-D58454) Instruction Manual

Karinear KNC-D58454

Karinear 30-Inch 8400W 5-Burner Electric Ceramic Cooktop

MODEL: KNC-D58454 - INSTRUCTION MANUAL

1. Overview

This manual provides essential information for the safe and efficient installation, operation, and maintenance of your Karinear 30-inch 8400W 5-burner electric ceramic cooktop. Please read these instructions thoroughly before using the appliance and retain them for future reference.



Figure 1: Karinear 30-inch 5-burner electric ceramic cooktop.

2. Safety Information

Your safety and the safety of others are paramount. Always follow basic safety precautions when using this appliance to reduce the risk of fire, electric shock, or injury.

- **Electrical Connection:** This appliance requires a 220-240V hard-wired connection. Installation must be performed by a qualified electrician in accordance with local electrical codes. Do not use extension cords or adapters.
- **Hot Surface:** The cooktop surface and surrounding areas can become hot during use. Use caution and avoid touching hot surfaces.
- **Child Safety Lock:** Utilize the child safety lock feature to prevent accidental operation by children.
- **Proper Cookware:** Use only appropriate cookware for electric ceramic cooktops. Ensure cookware bottoms are flat and cover the heating element area.
- **Ventilation:** Ensure adequate ventilation around the cooktop during operation.
- **Cleaning:** Always turn off the cooktop and allow it to cool before cleaning.

3. Product Features

The Karinear electric ceramic cooktop is designed for efficient and safe cooking with several advanced features:

- **High Power Output:** Features 5 burners with a total power output of 8400W, including 2 expandable heating elements for larger cookware.
- **Glass Protection Metal Frame:** A stylish metal frame protects the glass edges from bumps and enhances durability.
- **Sensor Touch Control:** Intuitive digital touch controls for easy operation.
- **Safety Functions:** Includes child safety lock, 99-minute timer, automatic shut-off, pause function, hot surface indicator, and over-temperature protection.
- **Universal Cookware Compatibility:** Suitable for all types of cookware, including iron, aluminum, stainless steel, and glass.
- **No Electromagnetic Radiation:** Designed to be harmless to the human body.

9 Power Levels & 8400W High Power

Saving a lot of time, easy to handle multi-person parties.



Figure 2: Cooktop in use, demonstrating 9 power levels and 8400W total power.

Compatible with any cookware!

All burners can be used at the same time, save much your time!



Figure 3: Cooktop compatible with various cookware types.

Difference From Others

Cooktop with Glass Protection Metal Frame, can protect the glass well



Figure 4: Detail of the glass protection metal frame.

4. Setup and Installation

The Karinear electric cooktop is a built-in unit designed for 220-240V electrical systems. It requires hard-wiring and does not come with a plug. Professional installation by a qualified electrician is mandatory to ensure safety and compliance with local regulations.

4.1 Dimensions and Cutout

Ensure your countertop cutout meets the following specifications:

- **Cooktop Size:** 30.3" W x 20.5" D (770mm W x 520mm D)
- **Cutout Size:** 29.13" W x 19.5" D x 2.13" H (740mm W x 495mm D x 54mm H)

4.2 Electrical Connection

The cooktop must be connected to a dedicated 220-240V AC circuit with appropriate amperage (typically 40A). Follow the wiring diagram provided in the full installation guide and consult a professional electrician.

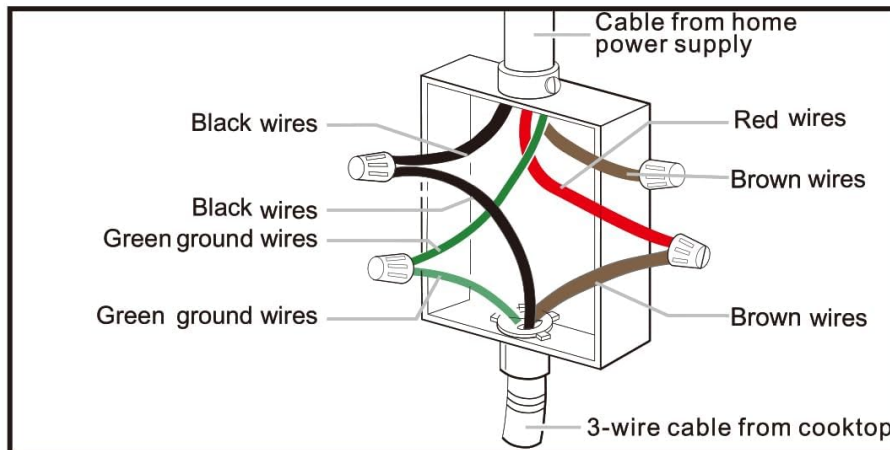
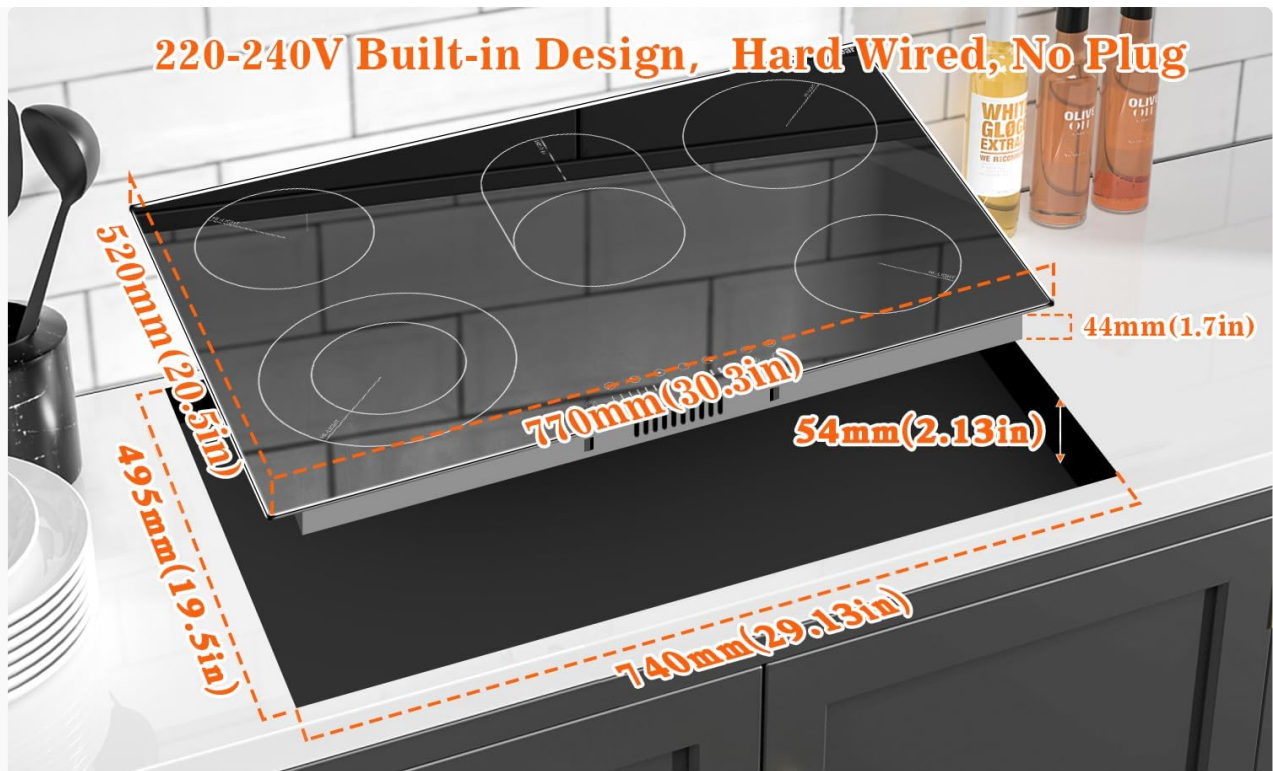


Figure 5: Cooktop dimensions and electrical wiring diagram.

5. Operating Instructions

The cooktop features intuitive sensor touch controls. Refer to the control panel layout for specific button functions.

5.1 Powering On/Off

1. Press the main power button to turn the cooktop on. The display will illuminate.
2. To turn off, press the main power button again.

5.2 Adjusting Power Levels

1. Select the desired cooking zone by pressing its corresponding zone selection button.
2. Use the '+' and '-' buttons or slide your finger along the power level indicator to set the desired heat level (1-9).
3. For expandable zones, press the zone selection button multiple times to activate the outer ring.

5.3 Timer Function

1. Select a cooking zone.
2. Press the timer button.
3. Use the '+' and '-' buttons to set the desired cooking time (up to 99 minutes). The cooktop will automatically turn off the selected zone when the timer expires.

5.4 Pause Function

Press the pause button to temporarily stop all active cooking zones. Press it again to resume cooking at the previous settings.

5.5 Child Safety Lock

To activate the child safety lock, press and hold the lock button for three seconds. This will disable all controls. To unlock, press and hold the lock button again for three seconds.



Figure 6: Safety features in action: Pause, Child Safety Lock, and Timer.

Your browser does not support the video tag.

Video 1: Demonstrates the operation of the Karinear 30-inch electric cooktop, including power on, power level adjustment, timer setting, pause function, and child safety lock.

6. Maintenance

Regular cleaning and maintenance will ensure the longevity and optimal performance of your cooktop.

- **Daily Cleaning:** Wipe the ceramic glass surface with a soft cloth and mild detergent after each use, once the surface has cooled.
- **Stubborn Stains:** For burnt-on food or stubborn stains, use a ceramic cooktop cleaner and a scraper (often included with the product). Follow the cleaner's instructions.
- **Avoid Abrasives:** Do not use abrasive cleaners, scouring pads, or harsh chemicals, as these can scratch or damage the glass surface.
- **Spills:** Clean up spills immediately, especially sugary liquids, to prevent them from burning onto the surface and causing permanent damage.



Figure 7: The smooth glass surface is easy to clean.

7. Troubleshooting

If you encounter issues with your cooktop, refer to the following common troubleshooting steps. For more complex problems, contact customer support.

Problem	Possible Cause	Solution
Cooktop does not turn on.	No power supply, child lock activated, incorrect operation.	Check circuit breaker. Deactivate child lock (press and hold lock button for 3 seconds). Ensure correct power-on sequence.
Burner not heating.	Incorrect power level selected, cookware not suitable, safety shut-off.	Increase power level. Ensure cookware is flat-bottomed and covers the zone. Check for error codes.
Error code displayed.	Specific internal fault or sensor issue.	Refer to the detailed error code section in the complete manual or contact customer support.
Cooktop automatically shuts off.	Over-temperature protection, automatic shut-off timer activated, no cookware detected.	Allow cooktop to cool. Check timer settings. Ensure cookware is present.

8. Specifications

- **Brand:** Karinear
- **Model Number:** KNC-D58454
- **Size:** 30 inch
- **Number of Heating Elements:** 5
- **Wattage:** 8400 watts
- **Voltage:** 220-240 Volts (AC)
- **Control Type:** Digital Touch
- **Installation Type:** Built-In
- **Heater Surface Material:** Glass Ceramic (vitroceramic glass)
- **Product Dimensions (D x W x H):** 19.5" x 29.13" x 2.13"
- **Item Weight:** 26.6 Pounds
- **Special Features:** Automatic Shut-Off, Hot Surface Indicator, Power-On Indicator, Safety Lock, Timer

9. Warranty and Support

Your Karinear electric cooktop comes with a **5-year manufacturer's warranty**. For warranty claims, technical support, or any questions regarding your product, please refer to the contact information provided in your purchase documentation or visit the official Karinear website.

Included Components: Cooktop, Instruction Manual, Scraper.

