



Manuals.plus /

› Fire-Maple /

› Fire Maple FMS-118 Camping and Backpacking Stove Instruction Manual

Fire-Maple FMS-118

Fire Maple FMS-118 Camping and Backpacking Stove

INSTRUCTION MANUAL

Introduction

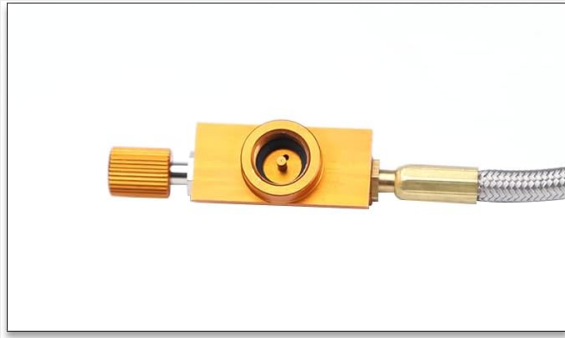
The Fire Maple FMS-118 is a highly efficient and versatile gas stove designed for camping, backpacking, and emergency use. Its compact, foldable design and robust construction make it an ideal companion for outdoor adventures. This manual provides essential information for the safe and effective use of your FMS-118 stove.

Safety Information

- **Use in well-ventilated areas only:** Never operate the stove inside tents, vehicles, or other enclosed spaces to prevent carbon monoxide poisoning.
- **Keep away from flammable materials:** Ensure a clear area around the stove, free from dry leaves, clothing, or other combustible items.
- **Stable surface:** Always place the stove on a firm, level, and non-flammable surface to prevent tipping.
- **Handle with care:** The stove and connected gas canister can become hot during and after use. Allow to cool completely before handling or packing.
- **Gas canister connection:** Ensure the gas canister is securely connected and there are no leaks before ignition. Check for leaks using soapy water.
- **Children and pets:** Keep children and pets away from the operating stove.
- **Emergency:** In case of a gas leak or uncontrolled flame, immediately turn off the gas supply at the canister and move away from the stove.

Product Overview and Components

The Fire Maple FMS-118 stove is designed for portability and performance. Familiarize yourself with its key components:



1. EN417 Valve



2. Fuel Regulator



3. Pre-heat Tube



4. Wide Burner Top



5. Mesh Bag

Image: Labeled components of the FMS-118 stove.

1. **EN417 Valve:** Standard threaded valve for connecting to gas canisters.
2. **Fuel Regulator:** Control knob for adjusting gas flow and flame intensity.
3. **Pre-heat Tube:** Ensures efficient fuel vaporization, especially in cold conditions.
4. **Wide Burner Top:** Provides a stable and even heat distribution for various pot sizes.
5. **Mesh Bag:** For convenient storage and transport.

The stove also features folding legs and pot rests for stability and compact storage.

Setup Instructions

Follow these steps to set up your FMS-118 stove:

1. **Unpack:** Remove the stove from its mesh bag and orange protective case.
2. **Unfold Legs:** Carefully unfold the three support legs until they lock into place, forming a stable base.
3. **Extend Pot Rests:** Extend the three pot rests from the burner head. Ensure they are fully extended and stable to support your cookware.
4. **Connect Fuel Canister:** Screw the EN417 valve onto a compatible threaded gas canister (not included). Ensure a tight, secure connection to prevent gas leaks. Do not overtighten.

5. **Position:** Place the assembled stove on a flat, stable, non-flammable surface, away from any flammable materials.



Image: FMS-118 stove set up with a pot.

For a visual guide on setup, refer to the video below:

Video: Detailed demonstration of setting up and operating the Fire Maple FMS-118 stove, including unfolding, connecting the gas canister, and ignition.

Operating Instructions

To operate your FMS-118 stove:

1. **Open Gas Valve:** Slowly turn the fuel regulator knob counter-clockwise to allow a small amount of gas to flow. You should hear a faint hissing sound.
2. **Ignite:** Press the integrated piezoelectric igniter button. If the stove does not ignite immediately, close the gas valve, wait a few seconds, and repeat the process. If the igniter fails, use an external lighter or match.
3. **Adjust Flame:** Once ignited, adjust the flame to your desired intensity using the fuel regulator knob. The jet burner operates at 2800 W / 9500 BTU's for rapid boiling.
4. **Cooking:** Place your cookware on the extended pot rests.

5. **Turn Off:** After use, turn the fuel regulator knob clockwise until the flame extinguishes completely. Allow the stove to cool down before handling.



Image: FMS-118 stove in operation with a visible flame.

Cold Weather Operation

The FMS-118 is designed for excellent performance in cold weather conditions. The remote canister cable design allows for inverting the fuel canister to maximize output power and ensure high efficiency.

- **Pre-heat:** In extreme cold, operate the stove with the canister upright for approximately 1.5 minutes to allow the pre-heat tube to warm up.
- **Invert Canister:** After pre-heating, carefully invert the gas canister. This allows liquid fuel to enter the pre-heat tube, where it vaporizes before reaching the burner, maintaining consistent performance.
- **Adjust Flame:** Be aware that flame adjustment might be more sensitive when the canister is inverted. Adjust slowly and carefully.



Image: FMS-118 stove demonstrating inverted canister setup for cold weather.

Maintenance

Proper maintenance ensures the longevity and safe operation of your stove:

- **Cleaning:** After each use, ensure the stove is cool. Wipe down the burner head and pot rests with a damp cloth to remove any food residue or soot.
- **Inspection:** Regularly inspect the fuel hose for any cracks, kinks, or damage. Check the gas canister connection for wear.
- **Storage:** Fold the stove back into its compact form and store it in the provided mesh bag and protective case. Store in a dry, cool place away from direct sunlight and heat sources.

Troubleshooting

| Problem | Possible Cause | Solution |
|--------------------------|--|--|
| Stove does not ignite | Gas valve closed; Canister empty; Igniter faulty; Canister not connected properly. | Open gas valve; Replace canister; Use external lighter; Re-connect canister securely. |
| Weak or sputtering flame | Low fuel; Cold weather; Clogged burner. | Replace canister; Invert canister (see Cold Weather Operation); Clean burner head. |
| Gas leak smell | Loose connection; Damaged hose/valve. | Immediately turn off gas, check all connections, tighten if loose. If damage is present, do not use and replace parts. |

Specifications

- **Brand:** Fire-Maple
- **Model:** FMS-118
- **Fuel Type:** Liquefied Petroleum Gas
- **Material:** Stainless Steel
- **Product Dimensions (unfolded):** 5.7"L x 5.7"W x 3.5"H
- **Item Weight:** 7.8 ounces (0.22 Kilograms)

- **Maximum Energy Output:** 9500 British Thermal Units (2800 W)

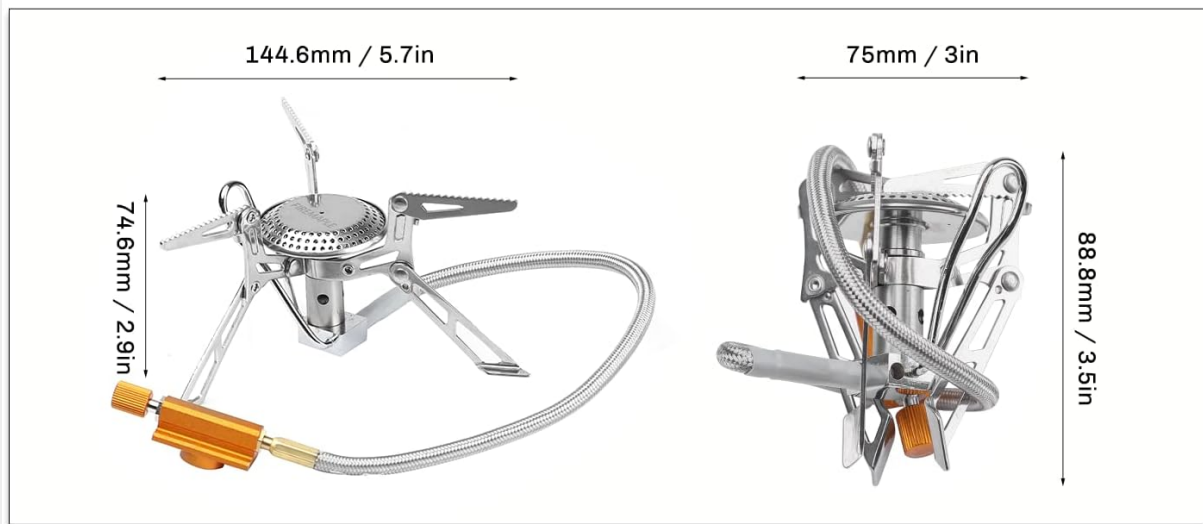


Image: FMS-118 stove with key dimensions.

Warranty and Support

Your Fire Maple FMS-118 stove comes with a **3-year warranty** from the date of purchase. This warranty covers manufacturing defects and quality issues. For any warranty claims, technical assistance, or support, please contact the Fire Maple customer service team. Our support team is ready to provide fast and professional assistance.

Please retain your proof of purchase for warranty validation.