

[Manuals.plus](#) /

> [PWNAGE](#) /

> PWNAGE Ultra Custom Gaming Keyboard Instruction Manual

## PWNAGE UC-MK-BF-OT

# PWNAGE Ultra Custom Gaming Keyboard Instruction Manual

Model: UC-MK-BF-OT

Brand: PWNAGE

## 1. INTRODUCTION

---

The PWNAGE Ultra Custom Gaming Keyboard is a full-size mechanical keyboard designed for both gaming and office use. It features hot-swappable switches, customizable RGB lighting, and durable PBT keycaps. This manual provides detailed instructions for setting up, operating, maintaining, and troubleshooting your keyboard.



Image 1.1: The PWNAGE Ultra Custom Gaming Keyboard showcasing its RGB lighting.

Key features include:

- **Hot-Swappable Switches:** Easily change switches without soldering.
- **Full Size RGB:** 16.8 million RGB colors per key with major RGB patterns accessible via hotkeys.
- **Durable PBT Keycaps:** Enhanced durability and feel.
- **Black Metal Top Plate:** Provides a premium look and sturdy construction.
- **Tactile Brown Switches:** Pre-installed Gateron Optical Brown Mechanical switches for a tactile, non-clicky experience.
- **Ergonomic Design:** Built-in 3-position stand for adjustable typing angles and OEM sculpted keycaps.

## 2. SETUP

---

### 2.1 Package Contents

Before you begin, ensure all items are present in the package:

- PWNAGE Ultra Custom Gaming Keyboard
- Hot Swappable Gateron Optical Brown Mechanical switches (pre-installed)
- OEM sculpted keycaps (pre-installed)
- Matching color regular USB Type-C cable
- Keycap puller tool
- Switch puller tool

### 2.2 Connecting the Keyboard

1. Locate the USB Type-C port on the back of the keyboard.
2. Connect one end of the provided USB Type-C cable to the keyboard.
3. Connect the other end of the USB cable to an available USB port on your computer or compatible gaming console.
4. The keyboard will automatically be recognized by your operating system. No additional drivers are typically required.



Image 2.1: Connecting the keyboard using the USB-C cable.

## 2.3 Operating System Compatibility

The PWNAGE Ultra Custom Gaming Keyboard is compatible with various operating systems and devices, including:

- Windows
- Mac
- Keyboard-supported consoles such as PS4, PS5, and Xbox.

For Mac users, the keyboard supports switching between Mac and Windows key layouts. Refer to the 'Operating the Keyboard' section for details.

## 3. OPERATING THE KEYBOARD

---

### 3.1 RGB Lighting Control

The keyboard features 16.8 million RGB colors per key. You can customize the lighting effects directly using keyboard hotkeys, without the need for additional software.

Specific hotkey combinations for RGB patterns and brightness control are typically found in a quick start guide included with your product. Common functions include:

- Changing lighting modes.
- Adjusting brightness levels.
- Changing color schemes.
- Adjusting animation speed.



Image 3.1: The keyboard displaying various RGB lighting effects.

## 3.2 Adjustable Typing Angles

The keyboard includes a built-in 3-position stand, allowing you to adjust the typing angle for improved ergonomics and comfort during extended use.

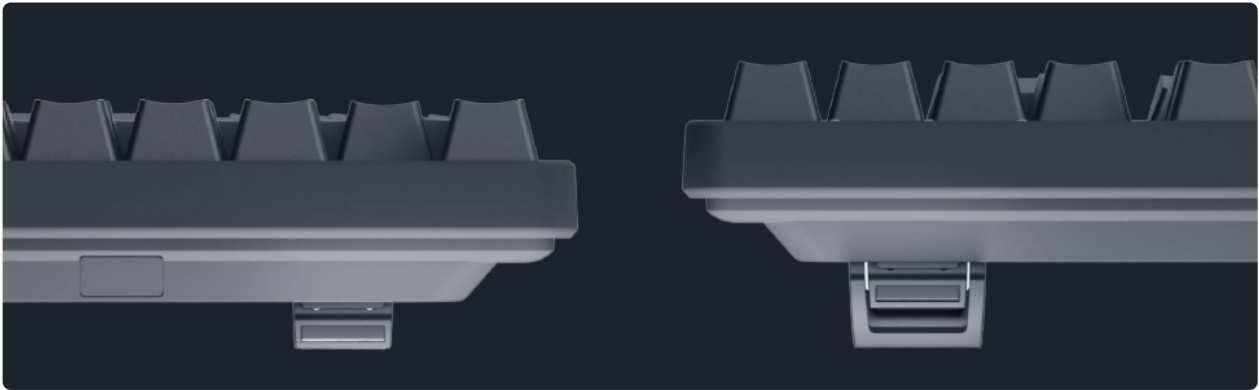


Image 3.2: The keyboard's adjustable feet for three different typing angles.

## 3.3 Mac/Windows Mode Switching

To switch between Mac and Windows key layouts, use the designated hotkey combination. This typically involves pressing a function key (Fn) along with another key (e.g., Fn + Win or Fn + Alt) to toggle the layout. Refer to the keyboard's specific keycap legends or a quick start guide for the exact combination.

# 4. CUSTOMIZATION FEATURES

---

The PWNAGE Ultra Custom Gaming Keyboard offers extensive customization options to personalize your typing and gaming experience.

Your browser does not support the video tag.

Video 4.1: An overview of the Pwnage Ultra Custom Mechanical Gaming Keyboard's features and customization options.

## 4.1 Hot-Swappable Switches

The keyboard comes with pre-installed Gateron Optical Brown Mechanical switches, which are tactile and provide a balanced typing experience. The hot-swappable design allows you to easily replace these with other Gateron Optical switches (linear, clicky, or silent) without any soldering.

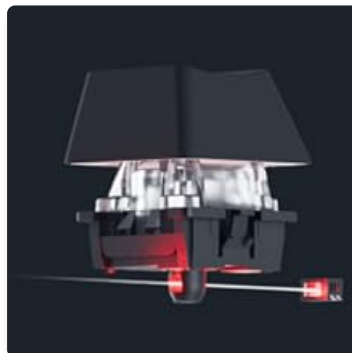


Image 4.1: Optical switch mechanism.



Image 4.2: Red Linear Switch.



Image 4.3: Brown Tactile Switch.



Image 4.4: Blue Clicky Switch.

## 4.2 PBT Keycaps

The keyboard comes with OEM sculpted PBT keycaps. PBT (Polybutylene Terephthalate) keycaps are known for their durability, resistance to shine, and a textured feel that enhances typing comfort. The standard ANSI layout and standard-sized bottom row ensure compatibility with many third-party keycaps on the market.

## 4.3 Toolless Customizable Top Cover Plate

The keyboard features a full aluminum metal top plate that can be easily removed and swapped without tools. This allows for aesthetic customization with different color top plates (e.g., white, black, blue, red, purple, pink) to match your setup.



Image 4.5: The keyboard's modular design with swappable top cover plate, keycaps, and switches.

## 4.4 Sound Tuning Capabilities

The combination of the full aluminum metal top plate and ABS plastic bottom plate with dampening foam provides excellent sound tuning capabilities, allowing you to achieve either a "clacky" or "thocky" sound profile based on your preference and switch choice.

## 4.5 Swappable USB-C Cable

The keyboard uses a detachable USB-C to USB cable, which can be swapped for custom coiled cables to further personalize your setup.

Your browser does not support the video tag.

Video 4.2: A short video highlighting the customization aspects of Pwnage products, including the keyboard.

# 5. MAINTENANCE

---

## 5.1 General Cleaning

To maintain the longevity and appearance of your keyboard:

- Disconnect the keyboard from your device before cleaning.
- Use a can of compressed air to remove dust and debris from between the keycaps.
- Wipe the keycaps and keyboard surface with a soft, slightly damp, lint-free cloth. Avoid harsh chemicals or abrasive materials.

## 5.2 Keycap and Switch Care

When removing or installing keycaps and switches:

- Use the provided keycap puller to gently remove keycaps. Pull straight up to avoid damaging the switch stem.
- Use the provided switch puller to carefully remove switches. Ensure the switch puller prongs engage with the clips on the switch housing before pulling.
- When installing new switches, align the pins correctly with the hot-swap sockets and press down gently until the switch clicks into place. Do not force switches, as this can bend the pins.
- Ensure keycaps are pressed down evenly onto the switch stems.

# 6. TROUBLESHOOTING

---

## 6.1 Keyboard Not Responding

- Ensure the USB-C cable is securely connected to both the keyboard and your device.
- Try connecting the keyboard to a different USB port on your device.
- Test the keyboard on another computer or device to rule out a system-specific issue.
- If using a USB hub, try connecting directly to the computer.

## 6.2 Incorrect Key Output (e.g., WIN/ALT keys swapped)

- This may indicate the keyboard is in the wrong operating system mode (e.g., Mac mode on a Windows PC).
- Use the designated hotkey combination (e.g., Fn + Win or Fn + Alt) to switch between Mac and Windows key layouts.

## 6.3 RGB Lighting Not Working

- Ensure the keyboard is properly connected and receiving power.
- Use the RGB hotkeys to cycle through lighting modes and adjust brightness. It's possible the lighting is turned off or set to a very dim level.
- If individual keys are not lighting up, check if the switch for that key is properly seated or if the switch itself is faulty.

## 6.4 Bent Switch Pins

If a switch is not functioning after installation, carefully remove it and inspect the pins on the bottom of the switch. If bent, gently straighten them with tweezers before reinserting. If pins break, the switch will need to be replaced.

# 7. SPECIFICATIONS

Feature	Detail
Brand	PWNAGE
Model Name	Ultra Custom Gaming Keyboard
Model Number	UC-MK-BF-OT
Connectivity Technology	USB-C
Keyboard Description	Mechanical
Keyboard Backlighting	RGB (16.8 million colors)
Switch Type	Optical (Hot Swappable Gateron Optical Brown Mechanical switches pre-installed)
Keycaps	OEM sculpted PBT Keycaps
Material	Metal (top plate), ABS Plastic (bottom plate)
Number of Keys	104
Keyboard Layout	QWERTY, Standard ANSI layout

Feature	Detail
Compatible Devices	Gaming Console, PC (Windows, Mac)
Included Components	Hot Swappable Gateron Optical Brown Mechanical switches, OEM sculpted keycaps, matching color regular USB Type-C cable

## 8. WARRANTY AND SUPPORT

---

For warranty information and technical support, please refer to the official PWNAGE website or contact their customer service directly. Keep your proof of purchase for any warranty claims.

PWNAGE is committed to delivering innovative products and experiences for the gaming community. For further assistance or to explore additional customization options, visit the official PWNAGE store or support channels.

Your browser does not support the video tag.

Video 8.1: A teaser video showcasing the Pwnage Ultra Custom Gaming Setup.