

Manuals+

[Q & A](#) | [Deep Search](#) | [Upload](#)

manuals.plus /

- › [Motorola Sound](#) /
- › [Motorola Moto Buds 150 True Wireless Earbuds User Manual](#)

Motorola Sound MOTO BUDS 150 WH

Motorola Moto Buds 150 True Wireless Earbuds User Manual

Model: MOTO BUDS 150 WH

Brand: Motorola Sound

INTRODUCTION

Welcome to the user manual for your Motorola Moto Buds 150 True Wireless Earbuds. This guide provides comprehensive instructions on setting up, operating, maintaining, and troubleshooting your earbuds to ensure optimal performance and longevity.



Image: Motorola Moto Buds 150 True Wireless Earbuds and their compact charging case.

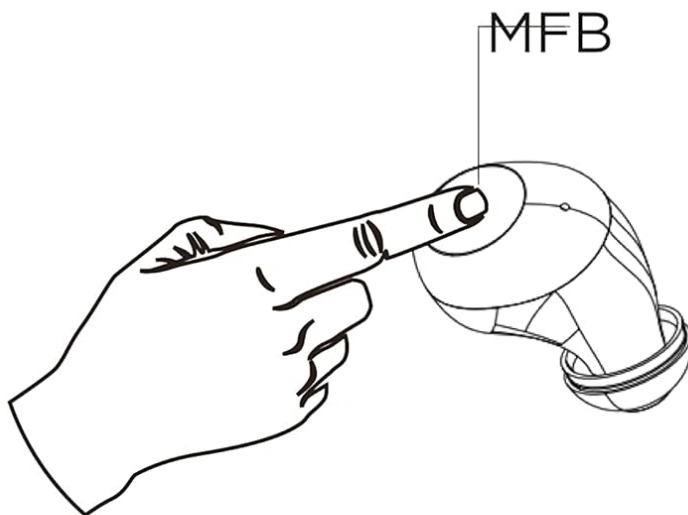
PACKAGE CONTENTS

Upon unboxing your Motorola Moto Buds 150, please ensure all items listed below are present:

- True Wireless Earbuds (Left and Right)
- Charging Carry Case
- 3 Sizes of Soft Rubber Ear Caps (Small, Medium, Large)
- USB Type-C Charging Cable
- Quick Start Guide (This manual provides detailed information)



SMART TOUCH CONTROL



2S	⏻	ON
4S	⏻	OFF
x1	⏸ / 📞	
x1	📞	
x2	⏭	
x3	⏮	
👆 ⏰ 2S		Siri/Google

USB-C CHARGING

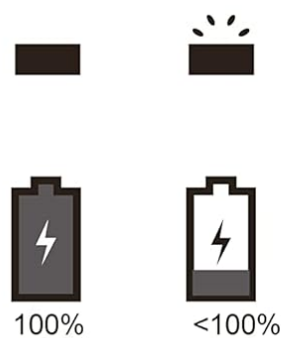
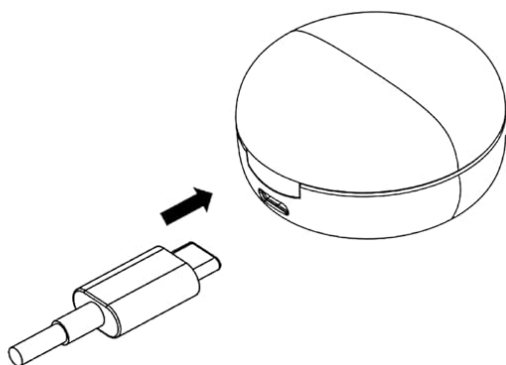


Image: All components included in the Motorola Moto Buds 150 retail package.

SETUP GUIDE

1. Initial Preparation and Charging

Before first use, remove the earbuds from the charging case. Locate and remove any plastic tabs covering the charging contacts on both the left and right earbuds, as well as from within the charging case. This ensures proper electrical connection for charging.

Place both earbuds back into the charging case. The earbuds will automatically power off and begin charging. Solid white lights on the charging case indicate that the earbuds are fully charged.



Image: The charging case indicating power status and extended playtime.

2. Pairing with Your Device

The Moto Buds 150 are designed to arrive pre-charged. To initiate pairing:

1. Open the charging case and remove both earbuds. They will automatically power on and enter pairing mode.
2. In pairing mode, the earbuds will show blinking blue and red lights.
3. On your smartphone or Bluetooth-enabled device, open the Bluetooth settings.

4. Select "MOTO BUDS 150" from the list of available devices.
5. Confirm the pairing request if prompted.

A solid blue light on the earbuds indicates a successful connection and pairing.

Your browser does not support the video tag.

Video: A demonstration of the unboxing, initial charging, and Bluetooth pairing process for the Motorola Moto Buds 150.

3. Optimizing Fit and Comfort

The Moto Buds 150 come with three sets of soft ear caps (Small, Medium, Large) to ensure a comfortable and secure fit. To optimize comfort and audio experience, it is recommended to try different sizes of ear caps to find the best fit for your ears. A proper seal enhances sound quality and passive noise cancellation.



Image: The ergonomic design of the earbuds, crafted for a comfortable and secure fit during extended use.

OPERATING YOUR EARBUDS

Smart Touch Control

The Moto Buds 150 feature intuitive smart touch controls on each earbud for easy management of calls, music, and voice assistants.

Touch Control Functions

Action	Function
Press and Hold (2 seconds)	Power On
Press and Hold (4 seconds)	Power Off
Single Tap (x1)	Play/Pause Music, Answer/End Call
Double Tap (x2)	Next Track
Triple Tap (x3)	Previous Track
Press and Hold (2 seconds)	Activate Siri/Google Assistant

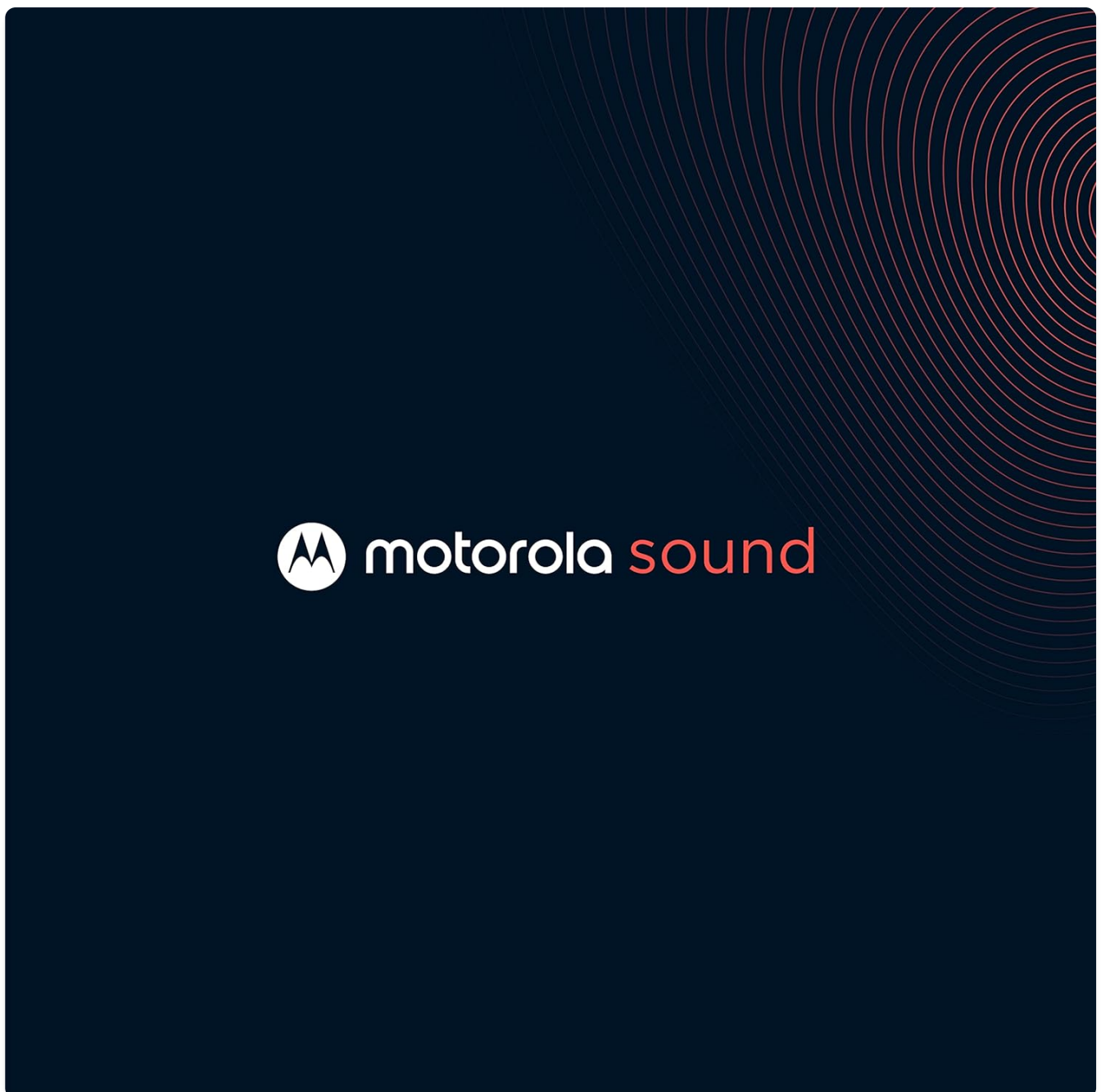


Image: Visual guide to the smart touch controls and their corresponding functions.

Hands-Free Calling and Mono Mode

Each earbud features a built-in microphone, allowing for hands-free calls. You can use both earbuds together for stereo calls or use a single earbud in mono headset mode, which is convenient for calls while keeping one ear open to your surroundings.

Automatic Reconnection

Once paired, your Moto Buds 150 will automatically power on and reconnect to your last paired device when taken out of the charging case. When finished using them, simply place both earbuds back into the case; they will automatically disconnect from Bluetooth and power down.

MAINTENANCE AND CARE

Charging Your Earbuds and Case

The compact charging case provides additional battery life for your earbuds. To charge the case, connect the provided USB-C cable to the charging port on the case and to a power source.

The Moto Buds 150 offer a total of 18 hours of playtime: up to 6 hours from a single charge of the earbuds, and an additional 12 hours provided by the charging case.

IPX5 Water Resistance

Your Moto Buds 150 are IPX5 water-resistant, meaning they are protected against sweat, light rain, and splashes. This makes them suitable for everyday use and workouts.

Important: While water-resistant, the earbuds are not waterproof and should not be submerged in water. Ensure the charging port is dry before charging to prevent damage.



18 hours playtime
(6+12hrs from the case)



Water resistant

IPX5



Touch control

MOTO BUDS 150 TRUE WIRELESS EARBUDS

MOTO BUDS 150 is the true wireless earbuds that gives you the best value for outstanding sound and battery life combination. It features totally 18 hours of playtime, superior sound quality and hands-free calling. IPX5 waterproof and sweat proof certification also allow you to move freely and comfortably without the worries of damaging it.

Image: Key features of the Moto Buds 150, including extended playtime and water resistance.

TROUBLESHOOTING

If you encounter any issues with your Moto Buds 150, please refer to the following common troubleshooting steps:

- **Earbuds not pairing:** Ensure both earbuds are removed from the case and are showing blinking blue and red lights. If not, place them back in the case, close it, wait a few seconds, then reopen and remove them. Check your device's Bluetooth settings to ensure Bluetooth is enabled and try searching for devices again.
- **No sound or low volume:** Check the volume level on both your connected device and the earbuds. Ensure the earbuds are properly seated in your ears and that the ear caps provide a good seal. Try cleaning the earbud mesh if it appears blocked.
- **Disconnections:** Ensure the earbuds are within the effective Bluetooth range (typically 10 meters or 33 feet) of your device. Avoid physical obstructions between the earbuds and your device. Try resetting the earbuds by placing them in the charging case, closing the lid, and then reopening after a few seconds.
- **Charging issues:** Verify that the USB-C cable is securely connected to both the charging case and the power source. Check if the charging contacts on the earbuds and inside the case are clean and free of debris.

For persistent issues, please refer to the support section or contact customer service.

SPECIFICATIONS

Feature	Specification
Model Name	MOTO BUDS 150 WH
Connectivity Technology	Wireless (Bluetooth)
Bluetooth Version	5.0
Battery Life (Total)	Up to 18 Hours (6 hours earbuds + 12 hours case)
Water Resistance Level	IPX5 (Water Resistant)
Control Type	Touch Control
Ear Placement	In Ear
Noise Control	Passive Noise Cancellation
Frequency Range	20 Hz - 20,000 Hz
Impedance	16 Ohm
Material	Acrylonitrile Butadiene Styrene (ABS)
Item Weight	6.4 ounces
UPC	810036771351

WARRANTY AND SUPPORT

For questions, warranty information, technical support, or service related to your Motorola Moto Buds 150, please visit the official Motorola Sound support website.

[Visit Motorola Sound Support](#)

You can also explore the [Motorola Sound Store on Amazon](#) for more products and information.

© 2023 Motorola Sound. All rights reserved.

Motorola and the Stylized M Logo are trademarks or registered trademarks of Motorola Trademark Holdings, LLC. and are used under license.