

## Manuals+

[Q & A](#) | [Deep Search](#) | [Upload](#)

manuals.plus /

- › [Bosch](#) /
- › [Bosch Series 4 PUJ611BB5E Induction Hob User Manual](#)

## Bosch PUJ611BB5E

# Bosch Series 4 PUJ611BB5E Induction Hob User Manual

Model: PUJ611BB5E

## 1. INTRODUCTION

---

Thank you for choosing the Bosch Series 4 PUJ611BB5E Induction Hob. This appliance is designed to provide efficient and safe cooking. Please read this manual thoroughly before installation and use to ensure proper operation and to prevent damage or injury. Keep this manual for future reference.

This induction hob features 3 cooking zones, TouchSelect controls, and advanced functions like PowerBoost and QuickStart, all within a sleek 60 cm frameless black design.

## 2. SAFETY INFORMATION

---

### General Safety:

- This appliance is intended for domestic use only.
- Installation and repairs must only be carried out by a qualified technician.
- Do not operate the appliance if it is damaged. Contact customer service.
- Keep children away from the appliance during operation and when it is cooling down.
- Risk of electric shock: Do not immerse the appliance in water or other liquids.
- Risk of burns: The cooking zones become hot during operation. Always use oven mitts.
- Never leave hot oil or fat unattended on the hob.

### Induction Specific Safety:

- Persons with pacemakers or similar medical implants should consult their doctor before using an induction hob.
- Do not place metallic objects (e.g., knives, forks, spoons, lids) on the hob surface as they can become hot.
- Ensure cookware is suitable for induction cooking (magnetic base).

## 3. PRODUCT OVERVIEW

---

The Bosch PUJ611BB5E induction hob features three cooking zones and an intuitive TouchSelect control panel for precise temperature adjustments.

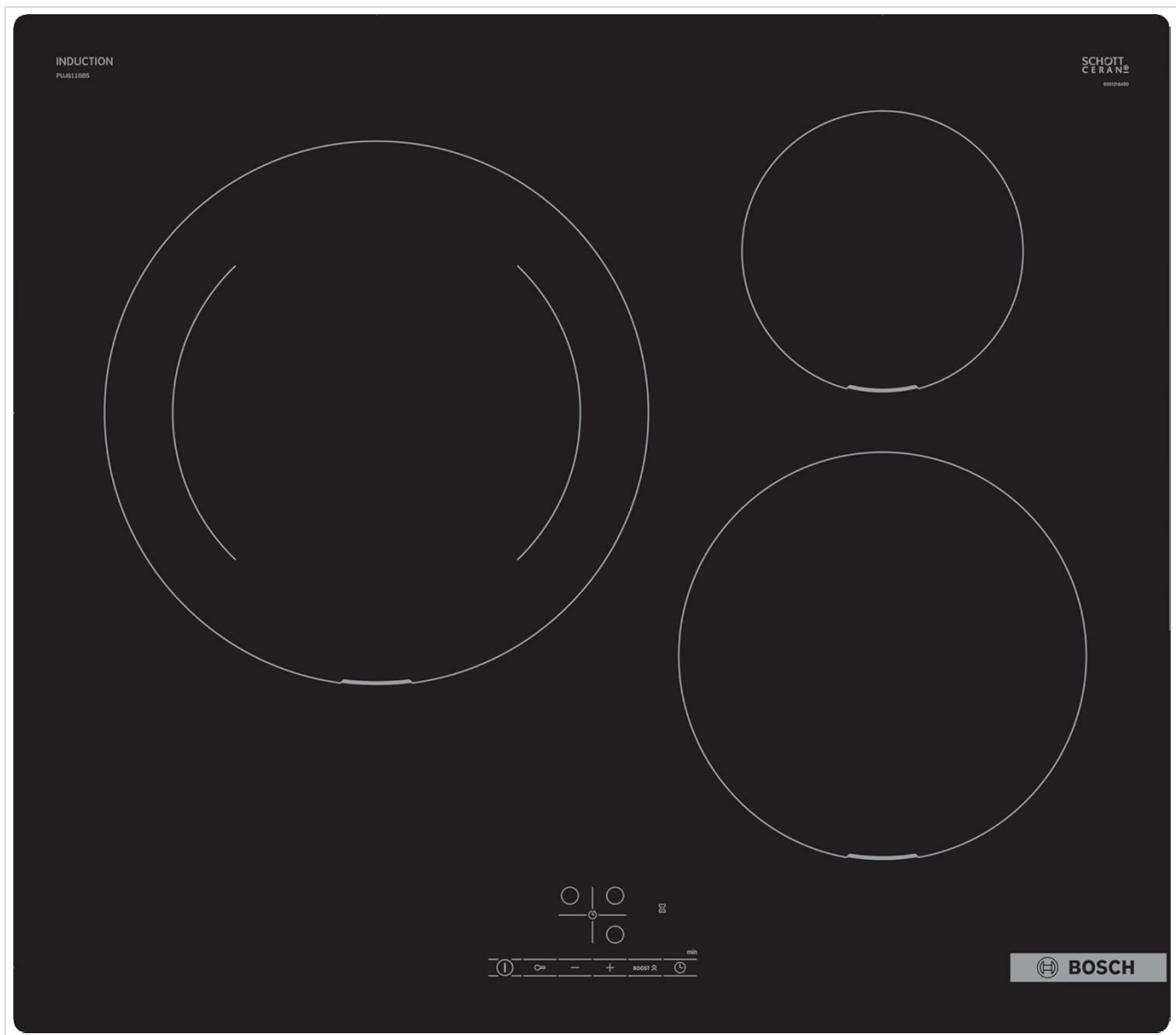


Image: Top view of the Bosch PUJ611BB5E induction hob, showing the three cooking zones and the central TouchSelect control panel.

#### Key Features:

- **3 Induction Cooking Zones:** Efficient and fast heating.
- **TouchSelect Control:** Easy adjustment of 17 power levels.
- **PowerBoost:** Accelerates heating for rapid boiling.
- **QuickStart:** Automatic detection of cookware on the cooking zone.
- **ReStart Function:** Recovers previous settings after an accidental shutdown within 4 seconds.
- **QuickStop:** Quickly deactivates a cooking zone with a long press.
- **Timer Function:** For precise cooking times.

## 4. INSTALLATION

Installation must be performed by a qualified professional in accordance with local regulations and the provided installation instructions.

#### Electrical Connection:

- The appliance requires a 240 Volt electrical supply with a power rating of 4600 Watts.
- It must be connected directly to the main electrical supply via a suitable circuit breaker. No plug is supplied.

**Cutout Dimensions and Clearances:**

Ensure adequate ventilation space around and below the hob. The worktop must be able to support approximately 60 kg.

Mesures en mm

**A:** Distance minimum entre la découpe de la plaque de cuisson et le mur.  
**B:** Profondeur d'encastrement  
**C:** Le vide entre la surface du plan de travail et le haut de la façade du four doit être de 30 mm. Consulter les exigences d'espace pour le four.

Le plan de travail dans lequel la plaque de cuisson est installée doit supporter des charges d'environ 60 kg ; des ossatures adaptées doivent être utilisées si nécessaire.

D	E	F
585-600	50	≥ 35
> 600	≥ 50	≥ 50

Image: Top view diagram illustrating the required cutout dimensions for installation. The cutout width is 560 +2/-0 mm and depth is 490-500 +2/-0 mm. Minimum distance to the wall (A) is 40 mm. Depth of recess (B) is 51 mm. Clearance between worktop surface and oven facade (C) must be 30 mm.

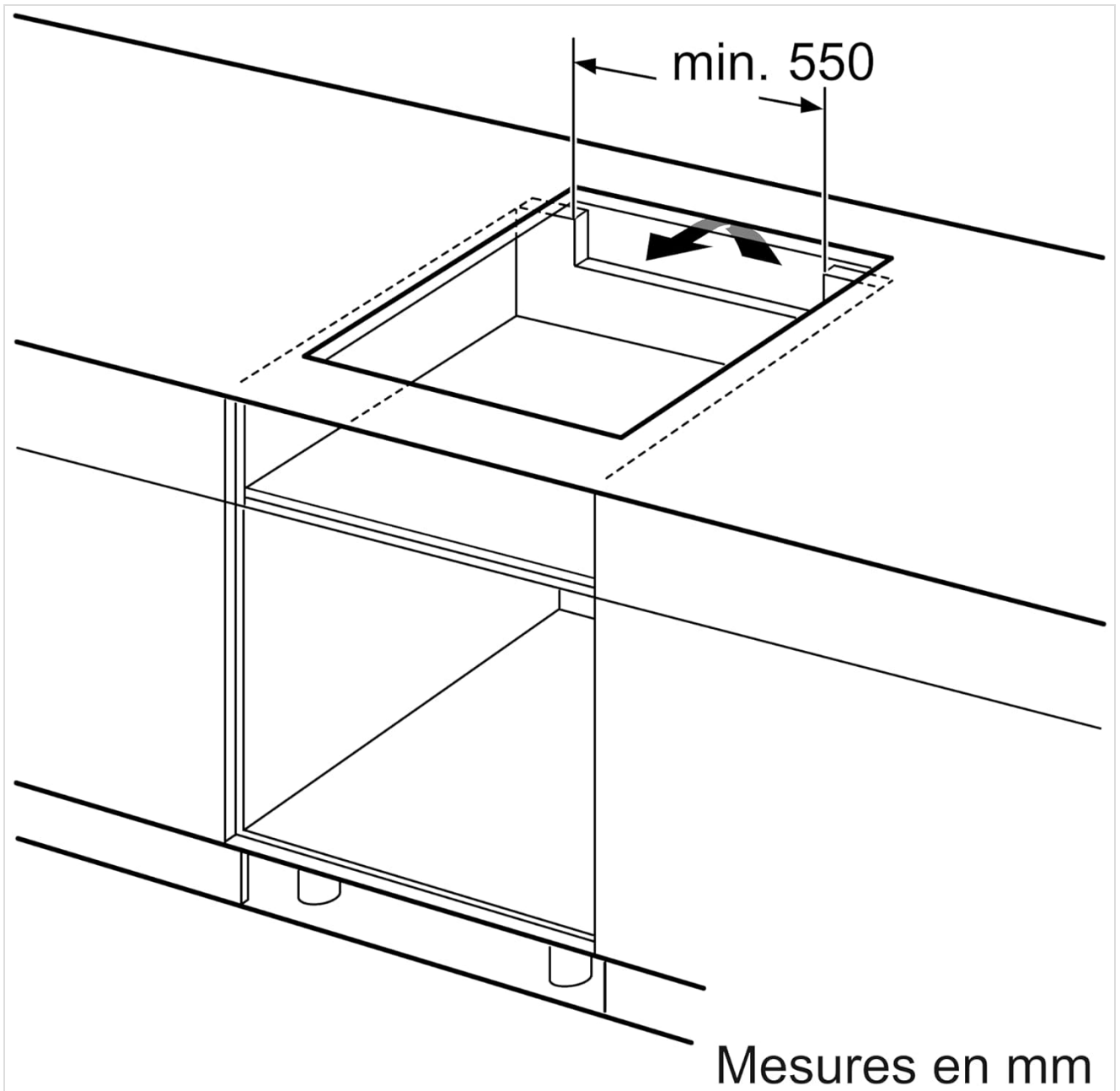


Image: Side view diagram indicating a minimum ventilation space of 550 mm required for proper airflow.

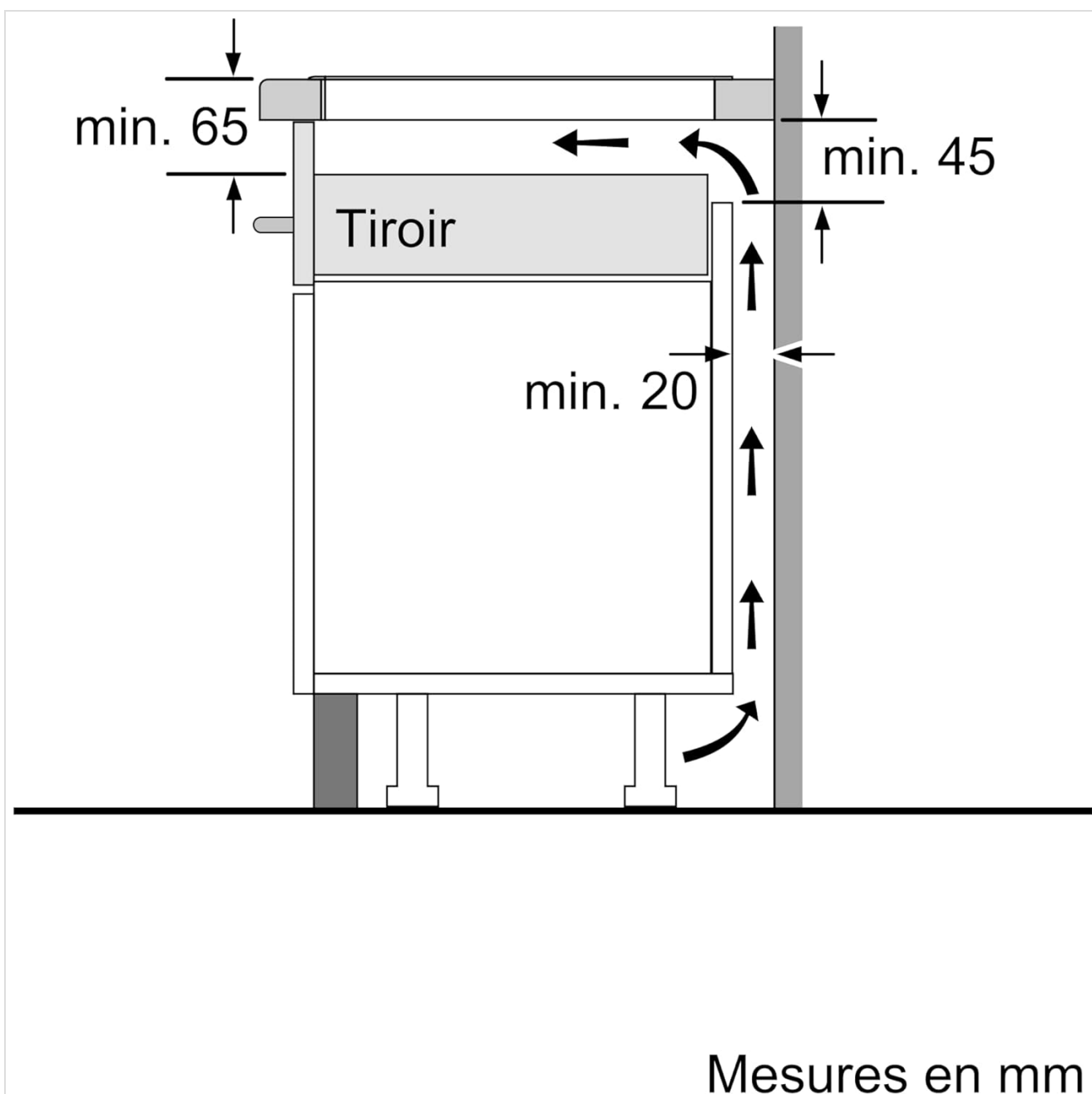


Image: Side view diagram detailing minimum clearances for installation, including a minimum of 65 mm from the top of the worktop to any drawer below, and 20 mm from the bottom of the hob to the top of the drawer. A minimum of 45 mm clearance is needed at the rear for ventilation.

## 5. OPERATING INSTRUCTIONS

### Turning On/Off:

- Press the main On/Off button to activate or deactivate the hob.

### Selecting a Cooking Zone and Power Level:

- Place suitable cookware on the desired cooking zone.
- The QuickStart function will automatically detect the cookware.
- Use the TouchSelect (+/-) controls to set the desired power level (1 to 17).

### PowerBoost Function:

- Activate PowerBoost for a specific zone to rapidly heat contents, such as boiling water.
- Refer to the control panel markings for PowerBoost activation.

**ReStart Function:**

- If the hob is accidentally switched off, you can restore the previous settings by switching it back on within 4 seconds.

**QuickStop Function:**

- To quickly turn off a specific cooking zone, press and hold its corresponding control.

**Timer Function:**

- Set a cooking duration for a specific zone using the timer controls. The zone will switch off automatically once the time expires.

**Suitable Cookware:**

- Only use cookware with a magnetic base, specifically designed for induction hobs.
- The base of the cookware should be flat and cover the cooking zone adequately.

## 6. CLEANING AND MAINTENANCE

---

Regular cleaning and maintenance will ensure the longevity and optimal performance of your induction hob.

**Daily Cleaning:**

- Always ensure the hob is cool before cleaning.
- Wipe the ceramic glass surface with a soft cloth and a mild detergent.
- For stubborn stains, use a specialized ceramic hob cleaner.
- Avoid abrasive cleaners, scouring pads, or harsh chemicals.

**Preventing Damage:**

- Do not drop hard or sharp objects on the glass surface.
- Avoid dragging cookware across the surface to prevent scratches.
- Clean up spills immediately, especially sugary liquids, to prevent permanent damage.

## 7. TROUBLESHOOTING

---

If you encounter issues with your hob, refer to the following common troubleshooting steps before contacting customer service.

Problem	Possible Cause	Solution
Hob does not turn on.	No power supply; main switch off.	Check the circuit breaker; ensure the hob is properly connected to the power supply.
Cooking zone not heating.	Cookware not suitable for induction; cookware not centered.	Use induction-compatible cookware; center the cookware on the zone.
Display shows 'E' or error code.	System error; overheating.	Turn off the hob, wait a few minutes, then turn it back on. If the error persists, contact customer service.
Unusual noises during operation.	Normal induction operation (humming, clicking); cookware quality.	These noises are often normal. If excessively loud or unusual, check cookware or contact support.

## 8. TECHNICAL SPECIFICATIONS

Specification	Detail
Brand	Bosch Electroménager
Model Number	PUJ611BB5E
Product Dimensions (L x W x H)	59.2 cm x 52.2 cm x 5.1 cm (approximate, based on cutout)
Weight	11.35 kg
Number of Cooking Zones	3
Type of Hob	Induction
Color	Black
Voltage	240 Volts
Power	4600 Watts
Energy Type	Electricity
Material	Ceramic Glass
Special Features	TouchSelect, PowerBoost, QuickStart, ReStart, QuickStop

## 9. WARRANTY AND CUSTOMER SUPPORT

This Bosch appliance comes with a manufacturer's warranty. Please refer to the warranty card provided with your product for specific terms and conditions, including the duration and coverage.

For technical assistance, spare parts, or to schedule a service appointment, please contact Bosch customer support. You can typically find contact information on the Bosch official website or in the documentation included with your purchase.

**Availability of Spare Parts:** Spare parts for this model are generally available for up to 15 years from the date of purchase.