

Manuals+

[Q & A](#) | [Deep Search](#) | [Upload](#)

manuals.plus /

› [5Rcom](#) /

› [5Rcom UT1002 Tabletop TV Stand and MT1003 Rolling TV Cart Instruction Manual](#)

5Rcom UT1002, MT1003

5Rcom UT1002 Tabletop TV Stand and MT1003 Rolling TV Cart Instruction Manual

Models: UT1002, MT1003

1. INTRODUCTION

This manual provides detailed instructions for the assembly, operation, and maintenance of your 5Rcom UT1002 Universal Tabletop TV Stand and MT1003 Large Rolling TV Cart. Please read these instructions carefully before installation and use to ensure proper function and safety.

2. SAFETY INFORMATION

- Ensure all components are present and undamaged before assembly. Do not use if any parts are missing or defective.
- Do not exceed the maximum weight capacity for the TV stand or shelf.
- For the MT1003 Rolling TV Cart, always lock the wheels when the cart is stationary to prevent accidental movement.
- Ensure the TV's VESA pattern is compatible with the mount before installation.
- Assembly should be performed by at least two people for larger TVs and components to prevent injury or damage.
- Keep children and pets away during assembly.

3. PACKAGE CONTENTS

Verify that all necessary parts and hardware are included in your package. Refer to the parts list diagram (if provided in your physical manual) to identify each component. If any parts are missing or damaged, contact customer support.



Figure 3.1: Overview of 5Rcom TV Stands (UT1002 Tabletop and MT1003 Rolling Cart)

4. SETUP INSTRUCTIONS

4.1. UT1002 Universal Tabletop TV Stand Assembly

1. Attach the TV brackets to the back of your television using the appropriate screws and spacers. Ensure the brackets are securely fastened and level.
2. Connect the main support column to the glass base using the provided hardware. Tighten all screws firmly.
3. Carefully lift the TV and hook the TV brackets onto the main support column. Ensure the TV is securely seated.
4. Tighten any safety screws or locking mechanisms to prevent the TV from dislodging.

4.2. MT1003 Large Rolling TV Cart Assembly



Figure 4.1: Assembled MT1003 Rolling TV Cart

1. Attach the four heavy-duty castors to the base of the TV cart. Ensure two of the castors have locking

mechanisms and are positioned at the front.

2. Assemble the vertical support pole sections. Secure them together using the provided connectors and screws.
3. Attach the assembled pole to the base.
4. Slide the media component tray shelf onto the pole at your desired height and secure it with the tightening knobs.
5. Attach the TV mounting bracket to the top of the pole.
6. Attach the TV brackets to the back of your television using the appropriate screws and spacers, ensuring VESA compatibility (up to 600x400mm).
7. Carefully lift the TV and hook the TV brackets onto the mounting bracket on the cart. Secure with safety screws.

5. OPERATING INSTRUCTIONS

5.1. Height Adjustment (MT1003)

The MT1003 Rolling TV Cart offers 5 levels of height adjustment for the TV mount, ranging from 51 inches to 67 inches (1300-1700mm). The media shelf is also height adjustable from 9 inches to 29 inches (240-740mm).

1. To adjust the TV height, loosen the securing bolts on the vertical pole.
2. Carefully raise or lower the TV mount to the desired position.
3. Retighten the securing bolts firmly to lock the TV mount in place.
4. For the media shelf, loosen the tightening knob, adjust the shelf to the desired height, and retighten the knob.

Height Adjustable

Use in lower position :

Use when participating in a video conference



Use at a higher position :

Used in presentations and exhibitions

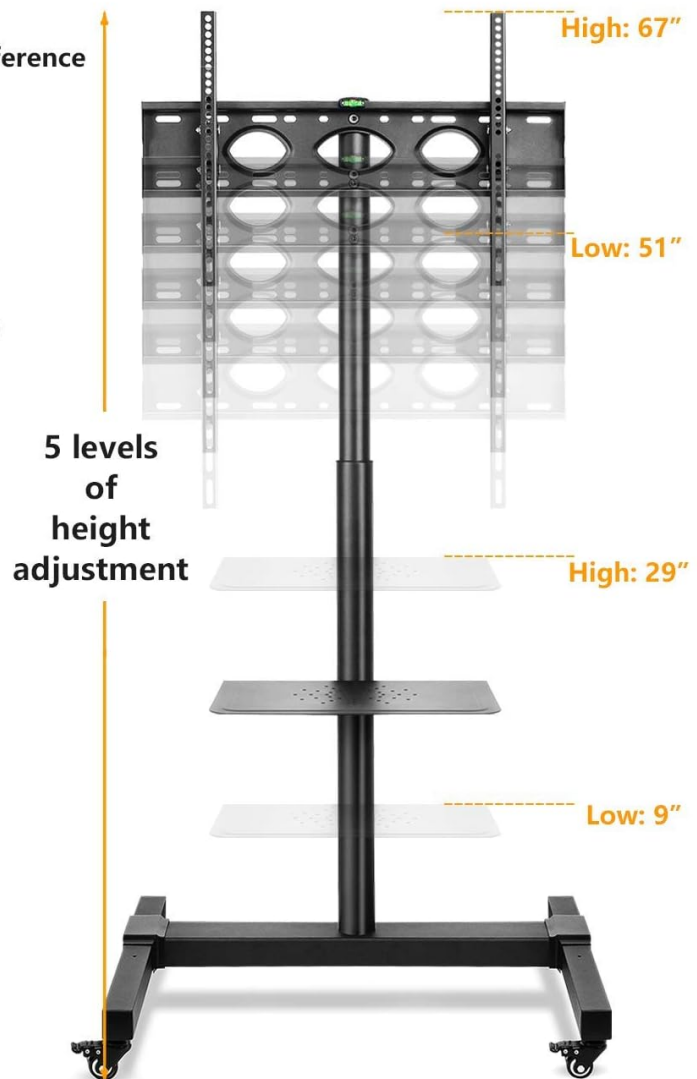


Figure 5.1: MT1003 Height Adjustment Range

5.2. Tilt Adjustment (MT1003)

The MT1003 mounting bracket allows for a tilt adjustment of up to 15 degrees both upwards and downwards.

1. Locate the tilt adjustment knobs or bolts on the side of the TV mounting bracket.
2. Loosen these fasteners.
3. Adjust the TV to the desired viewing angle.
4. Tighten the fasteners securely to lock the tilt position.

Tilt Mount

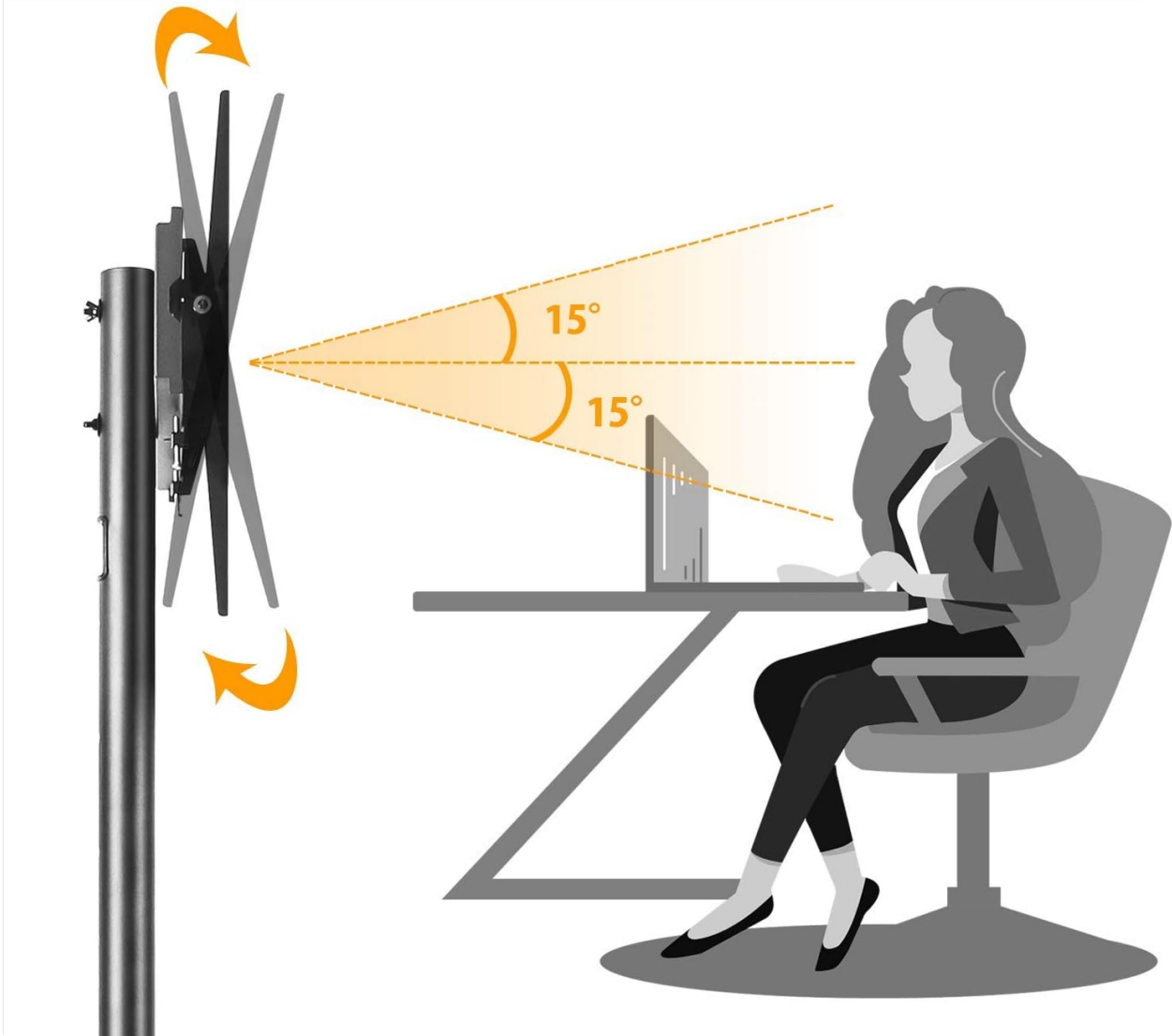


Figure 5.2: Tilt Mount Functionality

5.3. Mobility (MT1003)

The MT1003 Rolling TV Cart is equipped with heavy-duty castors for easy movement. Two of the castors include locking mechanisms.

1. To move the cart, ensure the castor locks are disengaged.
2. Gently push the cart to its desired location.
3. Once in position, engage the locks on the front castors to prevent the cart from rolling.



Easily Move Anywhere



Figure 5.3: Easy Mobility with Lockable Castors

6. MAINTENANCE

- Regularly inspect all screws and connections to ensure they remain tight. Retighten as necessary.
- Clean the stand and cart surfaces with a soft, dry cloth. Avoid abrasive cleaners or solvents that may damage the finish.
- Check the castors (on MT1003) periodically for debris or wear. Clean or replace if necessary to maintain smooth movement.
- Ensure cables are managed properly through the integrated cable management system (MT1003) to prevent damage or entanglement.

7. TROUBLESHOOTING

- **TV not level:** Check that the TV brackets are installed evenly on the back of the TV and that the stand's base is on a flat surface. Adjust as needed.
- **Stand feels unstable:** Ensure all assembly screws are fully tightened. Verify that the TV's weight and

VESA pattern are within the specified limits. For MT1003, ensure castor locks are engaged when stationary.

- **Difficulty moving (MT1003):** Check if castor locks are engaged. Inspect wheels for debris or damage.
- **TV not fitting mount:** Confirm your TV's VESA pattern matches the mount's compatibility range (e.g., 100x100mm to 600x400mm for MT1003).

8. SPECIFICATIONS

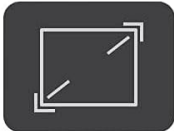
8.1. UT1002 Universal Tabletop TV Stand

- **Compatible TV Sizes:** 27-55 inches
- **Mounting Type:** Tabletop Mount
- **Movement Type:** Swivel
- **Material:** Metal, Glass Base
- **Color:** Black

8.2. MT1003 Large Rolling TV Cart

- **Compatible TV Sizes:** 32-70 inches
- **Maximum Load Capacity (TV):** 88 lbs (40 kg)
- **Maximum Load Capacity (Shelf):** 11 lbs (5 kg)
- **VESA Compatibility:** Min 100x100mm, Max 600x400mm
- **Height Adjustment (TV):** 51" to 67" (1300-1700mm)
- **Height Adjustment (Shelf):** 9" to 29" (240-740mm)
- **Tilt Angle:** Up to 15 degrees (up/down)
- **Material:** Metal with black electrostatic powder coated finish
- **Color:** Black
- **Movement Type:** Rolling with lockable castors

Product Dimension



Fits
32-70 inch TVs



MIN : 100x100mm
MAX: 600x400mm



Load
Capacity-TV



Load
Capacity-Shelf

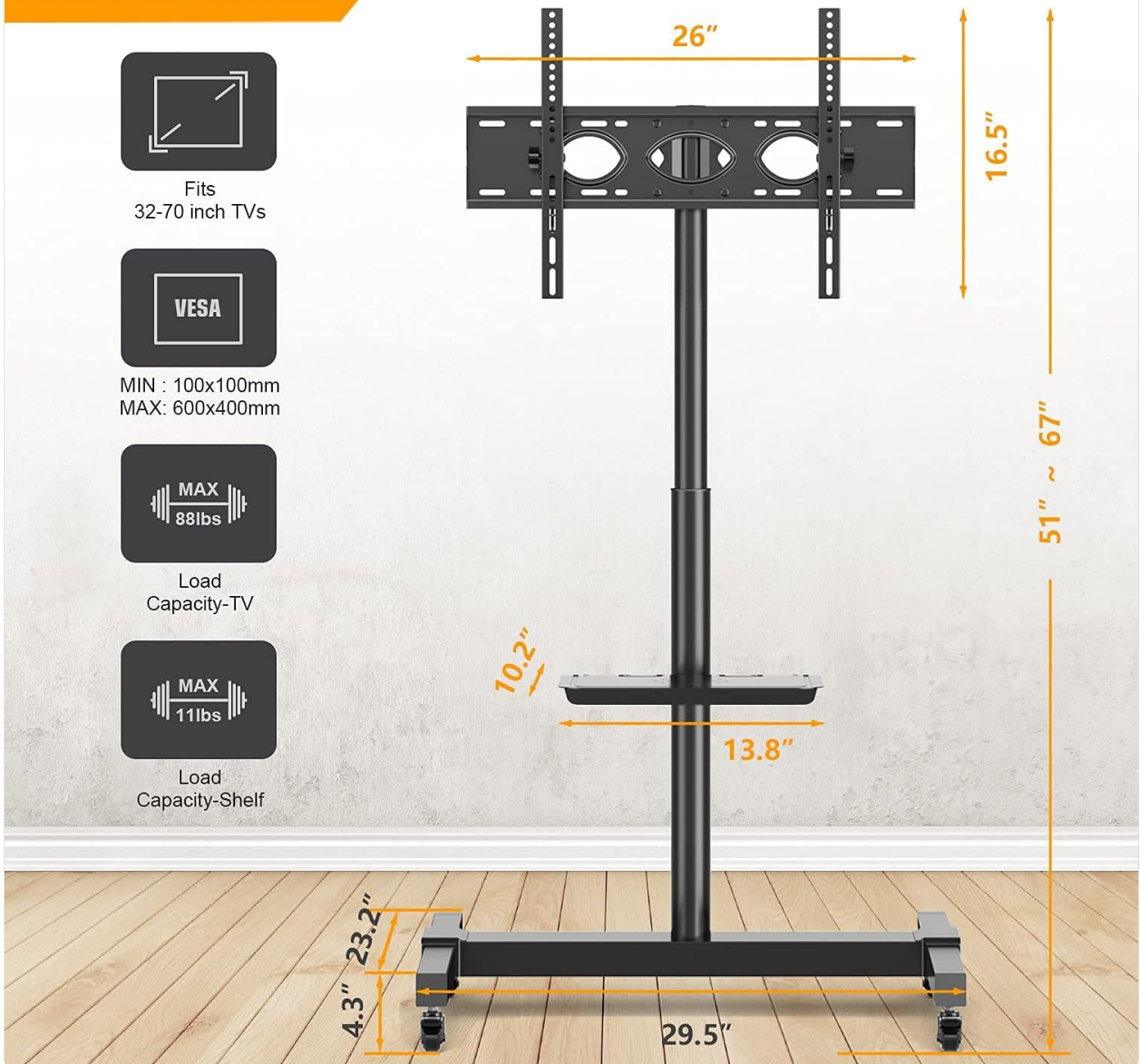


Figure 8.1: MT1003 Product Dimensions and Capacities

9. WARRANTY AND SUPPORT

For warranty information or technical support, please refer to the contact details provided with your purchase documentation or visit the official 5Rcom website. Keep your purchase receipt as proof of purchase.