

[Manuals.plus](#) /

› [DELAVIN](#) /

› DELAVIN 56-60" W x 75" H Frameless Sliding Shower Door Instruction Manual

DELAVIN W101B

DELAVIN 56-60" W x 75" H Frameless Sliding Shower Door

Model: W101B

Brand: DELAVIN

PRODUCT OVERVIEW

The DELAVIN Frameless Sliding Shower Door is designed to enhance your bathroom with a modern, minimalist aesthetic and superior functionality. Featuring 5/16" (8mm) ANSI-certified tempered glass with an explosion-proof film for enhanced safety, this door offers both durability and peace of mind. Its adjustable width (56-60 inches) and reversible design allow for flexible installation to suit various bathroom layouts. Constructed with premium stainless steel hardware, it ensures smooth, quiet operation and long-lasting performance.



Figure 1: DELAVIN Frameless Sliding Shower Door in Matte Black finish.

- **Designed for Convenience:** Adjustable width (56-60 in W x 75 in H) and reversible door for left or right sliding, making it suitable for various spaces.
- **Enhanced Bathroom Security:** Features 5/16" (8mm) ANSI-certified tempered glass with an explosion-proof film to prevent shattering and injury. The glass is also easy to clean.
- **Water Containment:** Equipped with bottom/side seal strips to effectively prevent water splashes and leaks, keeping your bathroom floor dry.
- **Enduring Parts:** Premium stainless steel hardware, including a strong corrosion-resistant top guide bar, solid rollers for smooth sliding, and a stainless steel handle that doubles as a towel rack.

SETUP AND INSTALLATION

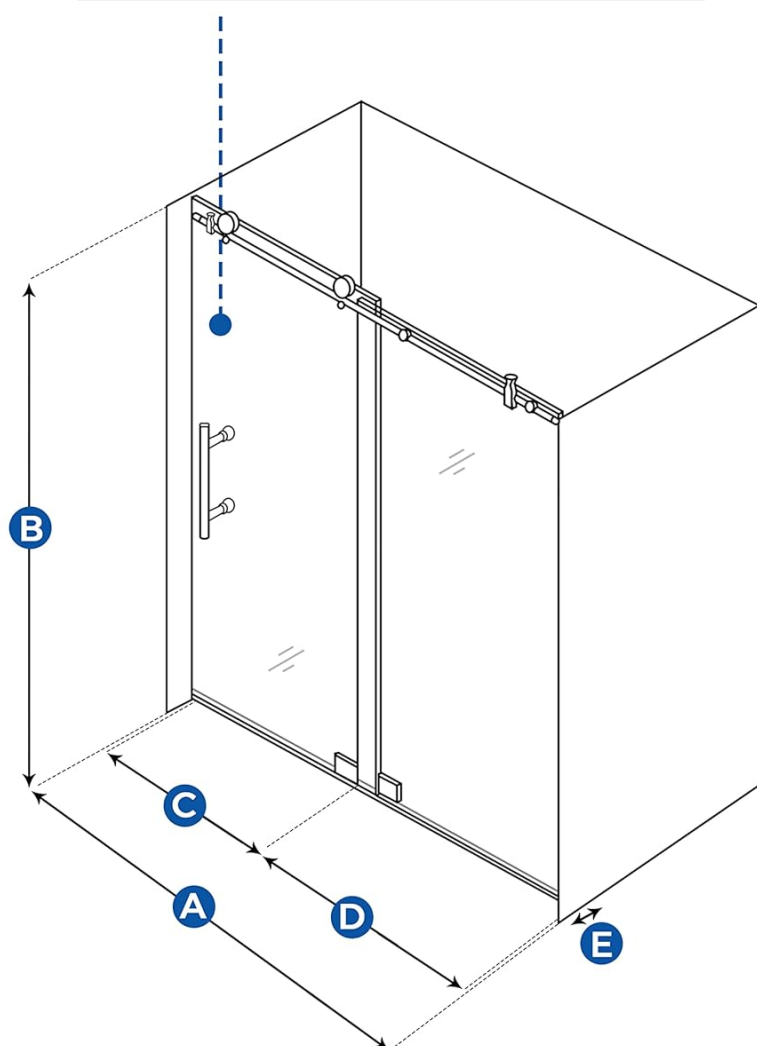
Installation of the DELAVIN Frameless Sliding Shower Door is designed to be straightforward. For detailed step-by-step instructions, please refer to the official Installation Manual (PDF) available [here](#). All necessary hardware is included.

Key Installation Considerations:

- **Measurement:** Carefully measure your shower opening to ensure proper fit. The top guide bar can be cut and adjusted according to your door width.
- **Glass Handling:** The glass panels are heavy and cannot be cut. Handle with care to avoid damage.
- **Pulley Tightening:** When installing the pulleys, especially on the sliding glass, ensure they are tightened securely to prevent loosening and potential glass door fall.
- **Reversible Design:** The door can be installed to slide to the left or right. The handle can also be positioned on either side.
- **Wall Protection:** A plastic seal is included to protect your wall and prevent the glass from hitting the tile.

OVERALL DIMENSIONS

Reversible for a right or left wall installation



DELAVIN-W101B

56-60 in.W x 75 in. H
Frameless Sliding
Shower Door

A: 56-60 in
OVERALL WIDTH

B: 75 in
OVERALL HEIGHT

C: 24-28 in
WALK-IN WIDTH

D: 31 in
SINGLE DOOR WIDTH

E: 5/16 in (8mm)
GLASS THICKNESS

Figure 2: Overall Dimensions for DELAVIN-W101B Shower Door. A: 56-60 in (Overall Width), B: 75 in (Overall Height), C: 24-28 in (Walk-in Width), D: 31 in (Single Door Width), E: 5/16 in (8mm) (Glass Thickness).



Figure 3: Detail of the heavy-duty stainless steel rollers and reinforced rail, ensuring smooth and durable operation.



Left Or Right
Door Installation



Stainless Steel
Handle



Figure 4: The shower door's design allows for flexible left or right-hand installation.

OPERATING INSTRUCTIONS

The DELAVIN Frameless Sliding Shower Door is designed for effortless daily use. To open or close the door, gently slide the movable glass panel along the top guide bar. The large solid stainless steel rollers ensure a smooth, quiet, and effortless sliding motion.



**Left Or Right
Door Installation**



**Stainless Steel
Handle**



Figure 5: The stainless steel handle provides a secure grip for opening and closing the door.

The anti-splash threshold at the bottom effectively prevents water from escaping the shower enclosure, ensuring your bathroom remains dry. Always ensure the door is fully closed during showering to maximize water containment.



Figure 6: Illustration of effective water containment, maintaining a dry bathroom floor.

CARE AND MAINTENANCE

Proper care and maintenance will ensure the longevity and pristine appearance of your DELAVIN shower door.

Glass Cleaning:

The tempered glass is designed to be easy to clean, resisting soapy water stains. For best results, wipe down the glass panels after each use with a squeegee or a soft cloth to prevent water spots and mineral buildup. For deeper cleaning, use a non-abrasive glass cleaner and a soft cloth. Avoid harsh chemicals or abrasive cleaning tools that could scratch the glass or damage the explosion-proof film.



Ours Ultra Clear Glass

Premium ultra white tempered glass, bring you clear and transparent visual enjoyment.



5/16" Tempered Glass

Our tempered glass is all covered with explosion-proof film. Even if it breaks accidentally, it won't scatter all over the ground and cause injury.



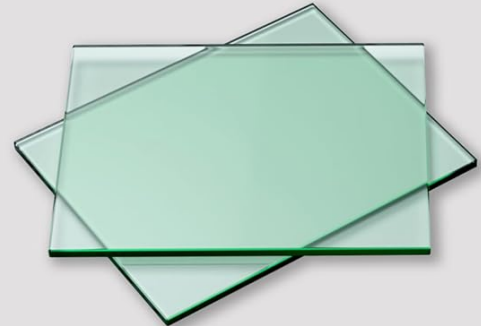
Screen Protector



ANSI Certified

Others Common Glass

Other common glasses have impurities and are less transparent.



Not applying explosion-proof film can easily cause injury.



Not Covered

Figure 7: DELAVIN's ultra-clear tempered glass with explosion-proof film for safety and easy cleaning.

Hardware Maintenance:

The stainless steel hardware is corrosion-resistant and designed for lasting use. Clean the hardware regularly with a soft, damp cloth. Avoid using abrasive cleaners, steel wool, or harsh chemicals, as these can damage the finish and lead to rust or discoloration.

Stainless Steel Shower Door Hardware



Industrial grade stainless steel for endurance and rust protection.



Easy to clean and maintain hardware for lasting use.



Designed for everyday use to enhance your bathroom decor.



Figure 8: Industrial-grade stainless steel hardware for endurance and rust protection.

TROUBLESHOOTING

If you encounter any issues with your DELAVIN Frameless Sliding Shower Door, please consult the following common troubleshooting tips:

- **Door Not Sliding Smoothly:** Check the stainless steel rollers for any debris or buildup. Ensure the top guide bar is clean. Verify that the pulleys are securely tightened on the glass panels.
- **Water Leaks:** Inspect the bottom and side seal strips for any damage or misalignment. Ensure they are properly seated against the glass and the shower curb/wall.
- **Glass Movement/Wobble:** Re-check all mounting hardware and screws to ensure they are securely fastened to the wall and the glass panels. Refer to the installation manual for proper tightening procedures.
- **Scratches on Bar:** While the stainless steel top guide bar is durable, avoid dragging abrasive objects across it during installation or cleaning.

For more complex issues or if the problem persists, please refer to the comprehensive [Installation Manual \(PDF\)](#) or contact DELAVIN customer support for assistance.

PRODUCT SPECIFICATIONS

Feature	Detail
Brand	DELAVIN
Model Number	W101B
Dimensions	56-60" W x 75" H (Overall), 0.32 x 60 x 75 inches (Product)
Glass Thickness	5/16" (8mm) SGCC Tempered Glass
Glass Feature	Explosion-Proof Film
Material	Glass, Stainless Steel Hardware
Color	Matte Black
Item Weight	139.98 Pounds (approx. 140 pounds)
Assembly Required	Yes
Included Components	Shower door, all mounting parts

WARRANTY AND SUPPORT

Your DELAVIN Frameless Sliding Shower Door comes with a **30-day easy returns** policy. We are committed to providing high-quality products and excellent customer service.

Each product is verified with a unique code before shipping to ensure authenticity and quality.

For any questions, concerns, or support needs, please refer to the full [Installation Manual \(PDF\)](#) or contact DELAVIN customer support. We aim to respond to your inquiries within 24 hours and provide a satisfactory solution, including quick replacement of damaged or missing parts.

You can typically find contact information for customer support through your purchase platform or the official DELAVIN brand store.