



Manuals.plus /

- › DELAVIN /
- › DELAVIN 56-60" W x 75" H Frameless Sliding Shower Door User Manual

DELAVIN W101G

DELAVIN Frameless Sliding Shower Door User Manual

Model: W101G

Contents	Specifications	Introduction	Safety Information	Package		
		Installation	Operation	Maintenance	Troubleshooting	Support

1. INTRODUCTION

This manual provides detailed instructions for the installation, operation, and maintenance of your DELAVIN 56-60" W x 75" H Frameless Sliding Shower Door. Please read this manual thoroughly before beginning installation to ensure proper setup and safe use of the product.

The DELAVIN frameless sliding shower door is designed for convenience and durability, featuring 5/16" (8mm) clear SGCC tempered glass with an explosion-proof film, and stainless steel hardware in a gold finish. Its adjustable width and reversible door design offer flexibility for various bathroom layouts.



Figure 1.1: DELAVIN Frameless Sliding Shower Door (Gold finish) in a bathroom setting.

2. SAFETY INFORMATION

Important: Failure to follow these safety instructions may result in injury or property damage.

- Always wear appropriate personal protective equipment (PPE), including safety glasses and gloves, during installation.
- The glass panels are heavy. **A minimum of two people is required** for safe handling and installation of the glass components.
- The shower door features 5/16" (8mm) ANSI-certified tempered glass with an explosion-proof film. While designed for safety, handle glass with extreme care to prevent breakage. If the glass breaks, the film is designed to hold fragments together, reducing injury risk.
- **Do not attempt to cut the glass panels.** Any modification to the glass will void the warranty and can compromise its structural integrity and safety.
- When installing the pulley, ensure it is securely tightened on the glass, especially for the sliding glass panel, to prevent loosening and potential falling of the door.

- If the width of the shower space is less than 58 inches, the upper guide rail may need to be cut. Use appropriate tools and follow safety precautions for cutting metal.
- Ensure all mounting hardware is securely fastened to structural elements of the wall. Consult a professional if unsure about wall integrity.

SGC Ours Ultra Clear Glass

Premium ultra white tempered glass, bring you clear and transparent visual enjoyment.



5/16" Tempered Glass

Our tempered glass is all covered with explosion-proof film. Even if it breaks accidentally, it won't scatter all over the ground and cause injury.



Screen Protector

Others Common Glass

Other common glasses have impurities and are less transparent.



Not applying explosion-proof film can easily cause injury.



Not Covered



ANSI Certified

Figure 2.1: Tempered glass with explosion-proof film for enhanced safety.

3. PACKAGE CONTENTS

Verify that all components listed below are present and undamaged before beginning installation. If any parts are missing or damaged, please contact customer support.

- Fixed Glass Panel
- Sliding Glass Panel
- Upper Guide Rail (Stainless Steel)
- Rollers and Mounting Brackets
- Stainless Steel Handle/Towel Rack

- Bottom/Side Seal Strips
- Anti-Splash Threshold
- All necessary mounting hardware (screws, anchors, gaskets, etc.)

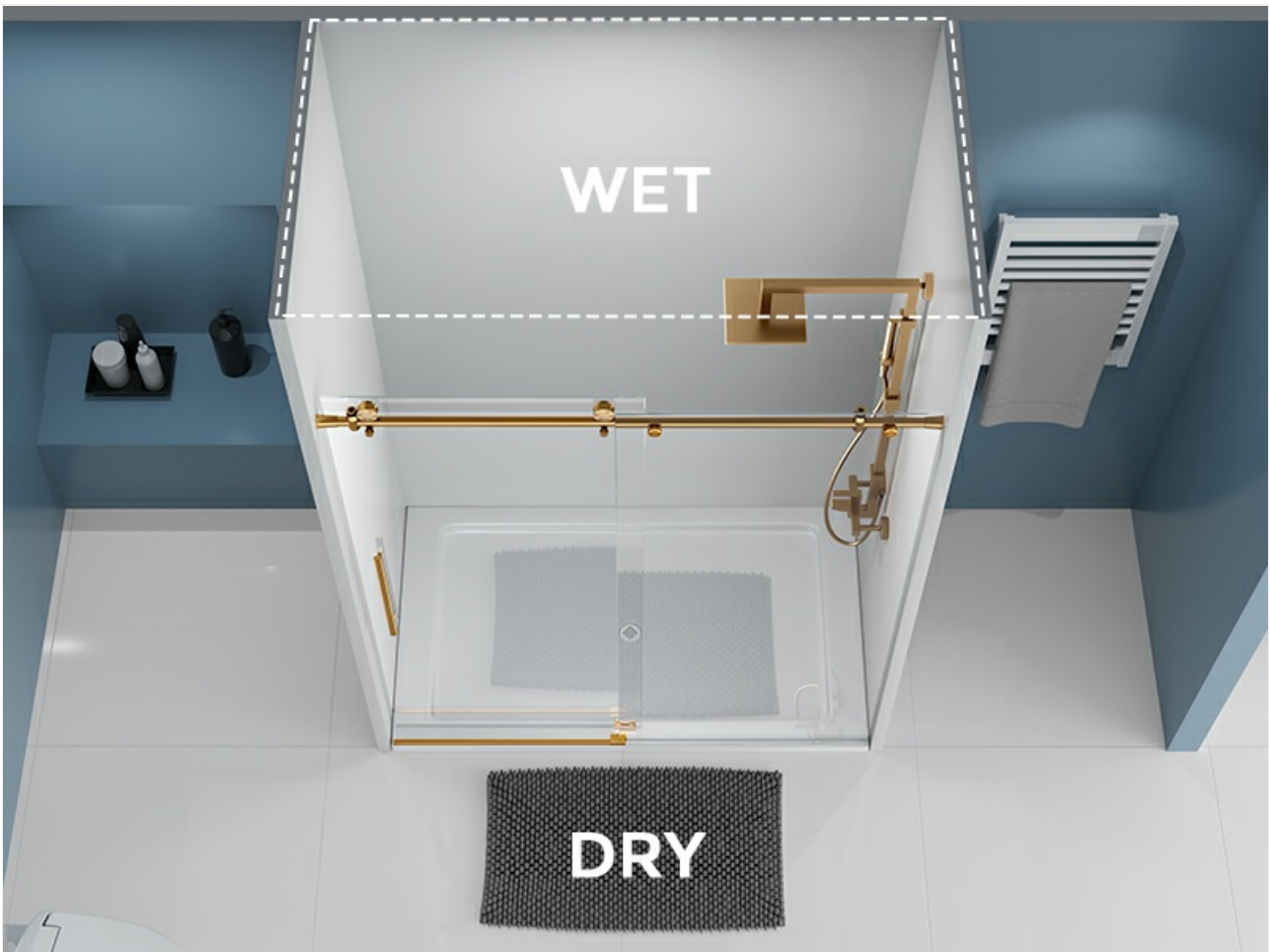


Figure 3.1: Included stainless steel hardware components.

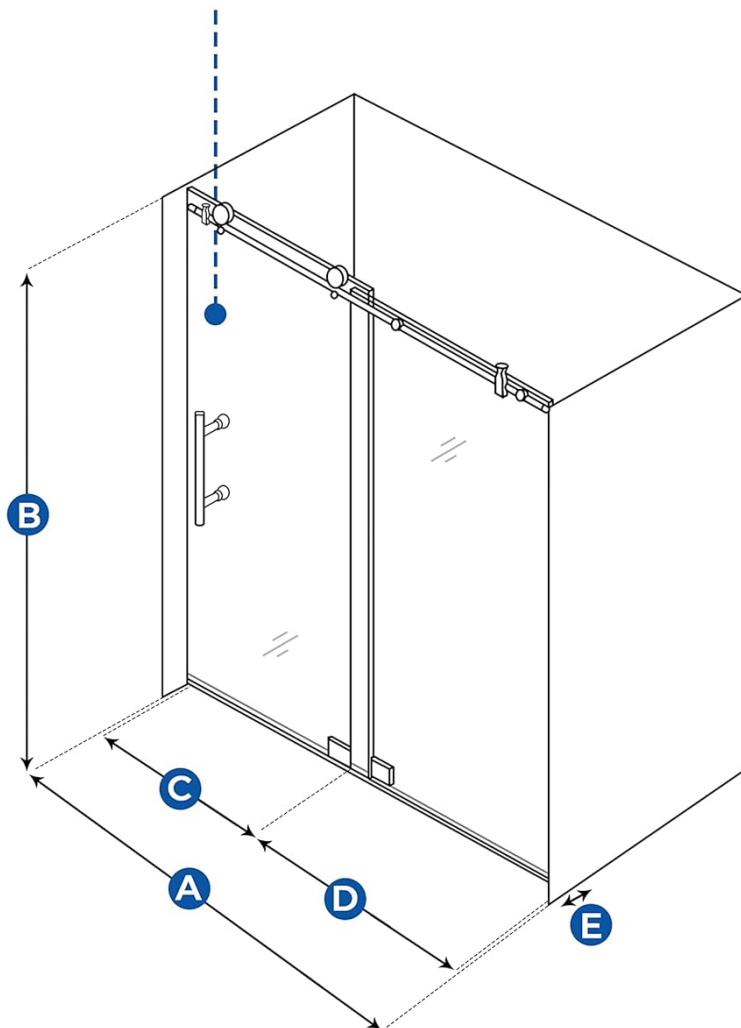
4. SPECIFICATIONS

Product Specifications for Model W101G

Feature	Detail
Brand	DELAVIN
Model Number	W101G
Overall Dimensions	56-60" W x 75" H
Glass Thickness	5/16" (8mm)
Glass Type	Clear SGCC Tempered Glass with Explosion-Proof Film
Hardware Material	Stainless Steel
Hardware Finish	Gold
Item Weight	Approximately 140 pounds
Assembly Required	Yes

OVERALL DIMENSIONS

Reversible for a right or left wall installation



DELAVIN-W101G

56-60 in.W x 75 in. H
Frameless Sliding
Shower Door

A: 56-60 in
OVERALL WIDTH

B: 75 in
OVERALL HEIGHT

C: 24-28 in
WALK-IN WIDTH

D: 31 in
SINGLE DOOR WIDTH

E: 5/16 in (8mm)
GLASS THICKNESS

Figure 4.1: Overall dimensions and key measurements.

5. INSTALLATION INSTRUCTIONS

Installation of the DELAVIN Frameless Sliding Shower Door requires careful attention to detail and adherence to safety guidelines. It is highly recommended that **two people** perform the installation due to the weight and fragility of the glass panels.

5.1. Before You Begin

- Read all instructions thoroughly before starting.
- Ensure your shower opening is within the specified width range (56-60 inches).
- Gather all necessary tools: measuring tape, level, drill, drill bits (a 1/4 inch carbide tile drill bit is often needed for tile walls), hacksaw (if guide rail cutting is required), silicone sealant, pencil, screwdriver set.
- Confirm all package contents are present and undamaged.

5.2. Step-by-Step Installation

1. **Measure and Prepare:** Accurately measure your shower opening. If the width is less than 58 inches, the upper guide rail will need to be cut to size. Mark the desired position for the guide rail and wall brackets.

2. **Install Wall Brackets:** Secure the wall brackets to the shower walls using appropriate anchors and screws. Ensure they are perfectly level. For tile walls, a 1/4 inch carbide tile drill bit is typically required.
3. **Mount Upper Guide Rail:** Attach the upper guide rail to the installed wall brackets. Ensure it is level and securely fastened.
4. **Install Fixed Glass Panel:** Carefully position and secure the fixed glass panel according to the instructions. Use the provided gaskets and clamps to ensure a tight, stable fit.
5. **Attach Rollers to Sliding Glass Panel:** Attach the rollers to the top edge of the sliding glass panel.
Important: Ensure the pulleys are securely tightened on the glass to prevent the door from falling during operation.
6. **Hang Sliding Glass Panel:** With assistance, carefully lift and hang the sliding glass panel onto the upper guide rail. Test the sliding motion to ensure it is smooth and unobstructed.
7. **Install Handle and Seal Strips:** Attach the stainless steel handle to the sliding door. Install the bottom and side seal strips, and the anti-splash threshold, to prevent water leakage. Trim seal strips as necessary for a proper fit.
8. **Apply Silicone Sealant:** Apply a bead of silicone sealant along the exterior joints where the fixed glass panel meets the wall and the bottom track meets the shower base, as recommended by local building codes. Allow adequate drying time before use.



Figure 5.1: Detail of the heavy-duty stainless steel rail and rollers, designed for smooth operation.

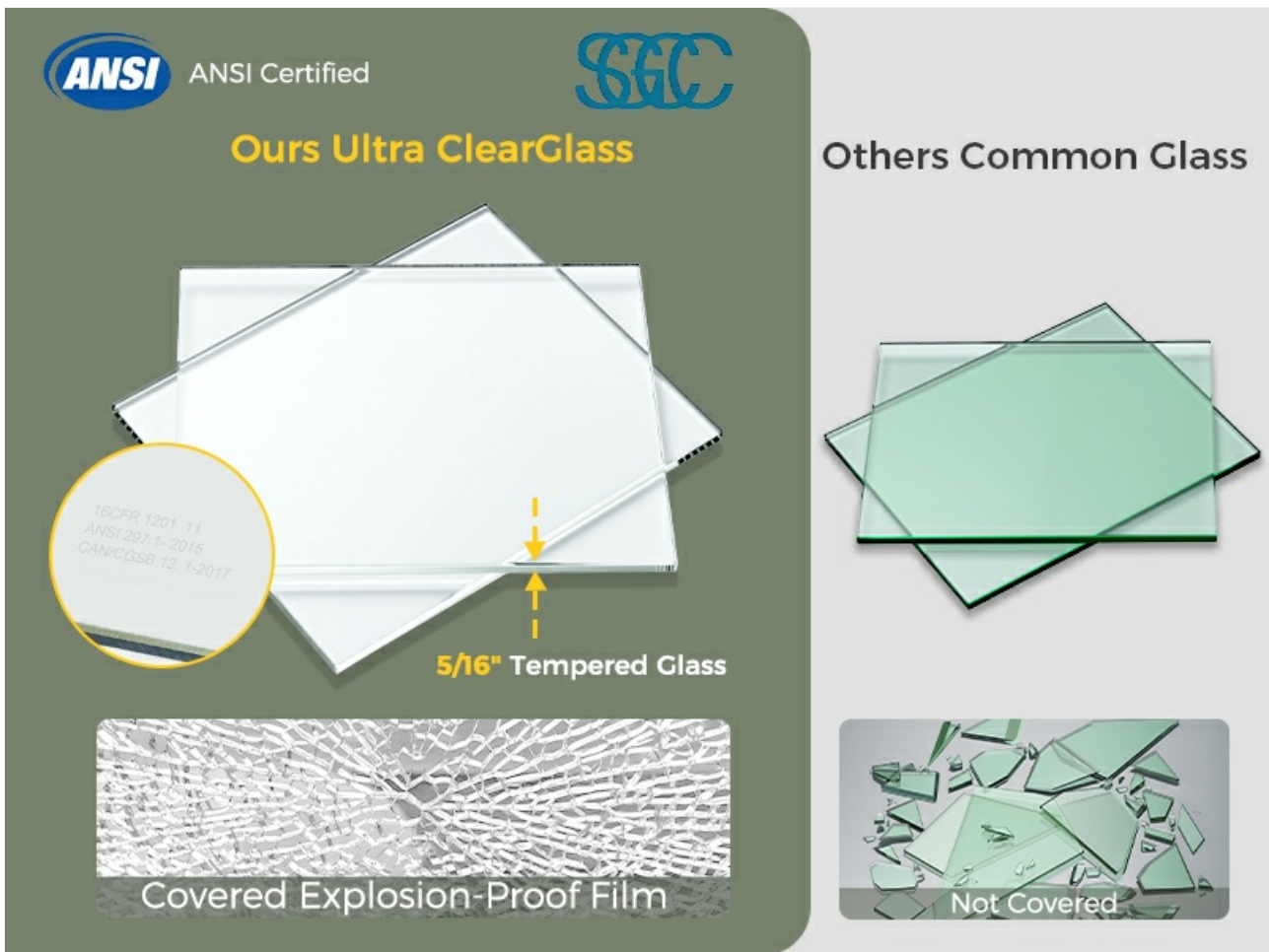


Figure 5.2: Proper placement of seal strips for water containment.

6. OPERATING INSTRUCTIONS

The DELAVIN Frameless Sliding Shower Door is designed for effortless operation and can be configured for left or right-hand opening.

- **Sliding Mechanism:** Gently push or pull the stainless steel handle to slide the door open or closed. The large solid stainless steel rollers ensure a smooth, quiet, and effortless sliding motion.
- **Reversible Installation:** The door can be installed to slide to the right or the left, depending on your bathroom layout and preference. This configuration is determined during the initial installation process.
- **Water Containment:** The bottom and side seal strips, along with the anti-splash threshold, are designed to keep water within the shower enclosure. Ensure these components are properly maintained for effective water prevention.



**Left Or Right
Door Installation**



**Stainless Steel
Handel**



Figure 6.1: Reversible door installation and stainless steel handle.

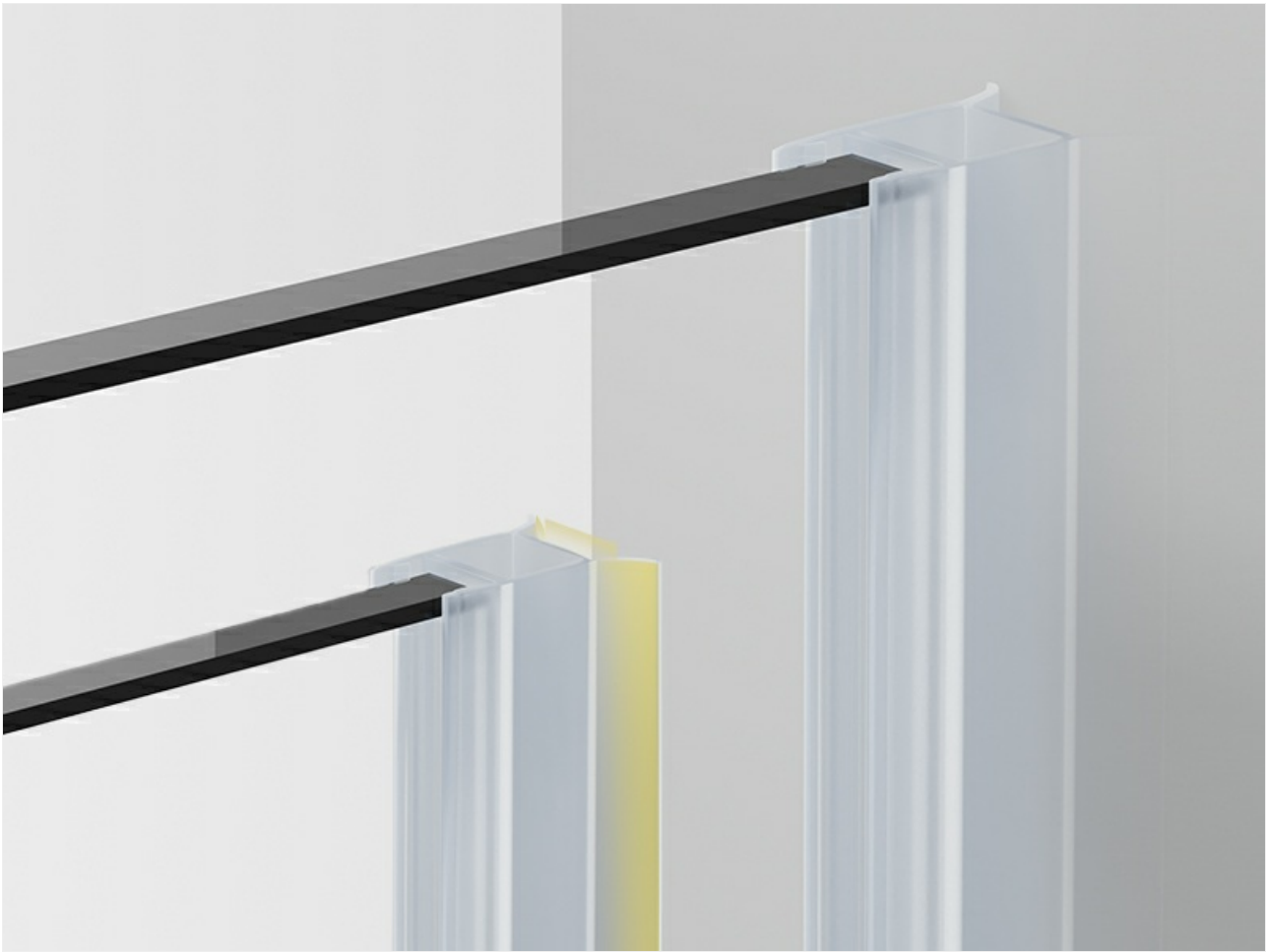


Figure 6.2: Effective water containment, keeping the bathroom floor dry.

7. MAINTENANCE AND CARE

Regular cleaning and maintenance will ensure the longevity and optimal performance of your DELAVIN shower door.

- **Glass Cleaning:** The tempered glass is designed to be easy to clean. Use a soft cloth or sponge with a non-abrasive glass cleaner or a mild soap solution. Avoid harsh chemicals, abrasive cleaners, or scouring pads, as these can damage the glass surface or the explosion-proof film. Wipe down the glass after each use to prevent water spots and soap scum buildup.
- **Hardware Cleaning:** Clean the stainless steel hardware (guide rail, rollers, handle) with a soft cloth and mild soap and water. Rinse thoroughly and dry to maintain its gold finish and prevent corrosion. Avoid using abrasive cleaners or steel wool.
- **Seal Strips:** Periodically inspect the bottom and side seal strips for wear or damage. Replace them if they become brittle or lose their effectiveness in preventing water leaks.
- **Roller Inspection:** Check the rollers periodically to ensure they are clean and free of debris. Lubricate with a silicone-based lubricant if the sliding motion becomes stiff. Ensure all roller fasteners remain tight.

8. TROUBLESHOOTING

This section addresses common issues you might encounter with your shower door. For problems not listed here, please contact customer support.

Problem	Possible Cause	Solution
Door does not slide smoothly or is stiff.	Debris in the track, rollers need lubrication, or rollers are loose.	Clean the guide rail and rollers. Apply a silicone-based lubricant to the rollers. Check and tighten roller fasteners.
Water leaks from the bottom or sides of the door.	Damaged or improperly installed seal strips/threshold, or insufficient silicone sealant.	Inspect and adjust or replace seal strips and threshold. Reapply silicone sealant where necessary, ensuring a watertight seal.
Door appears crooked or misaligned.	Improper installation of wall brackets or guide rail, or loose glass panel.	Verify that wall brackets and guide rail are level and securely fastened. Check that glass panels are properly seated and secured.
Pulleys feel loose on the glass.	Pulleys not tightened sufficiently during installation.	Carefully re-tighten the pulley fasteners on the glass panels. This is critical for safety.

9. CUSTOMER SUPPORT AND WARRANTY

For any questions, concerns, or issues regarding your DELAVIN Frameless Sliding Shower Door, please contact our customer support team. We are committed to providing assistance and ensuring your satisfaction.

9.1. How to Contact Support

If you encounter a problem with the product you received, please follow these steps:

1. Go to your order history on the platform where you purchased the product.
2. Select "Problem with order" and choose the relevant topic.
3. Click "Contact seller" to initiate communication.
4. Attach pictures that demonstrate the problem and provide a detailed description.

Our team aims to respond to your inquiry within 24 hours and provide a solution, which may include replacing damaged or missing parts.



Figure 9.1: Steps for contacting customer support.

9.2. Warranty Information

DELAVIN products are crafted with premium materials and undergo quality control. Specific warranty details may vary; please refer to your purchase documentation or contact customer support for comprehensive warranty information.

For more information about DELAVIN products, visit the official **DELAVIN Store**.

