



[Manuals.plus](#) /

> [DHP](#) /

> DHP Modern Metal Canopy Platform Bed User Manual

**DHP 4578019**

# DHP Modern Metal Canopy Platform Bed User Manual

Model: 4578019

## INTRODUCTION

---

Thank you for choosing the DHP Modern Metal Canopy Platform Bed. This bed frame combines modern aesthetics with medieval influences, featuring a minimalist headboard and a four-poster design. It is engineered for durability and stability, providing ample underbed storage space. The metal-slat base promotes air circulation, keeping your mattress fresh. This bed frame does not require a box spring.

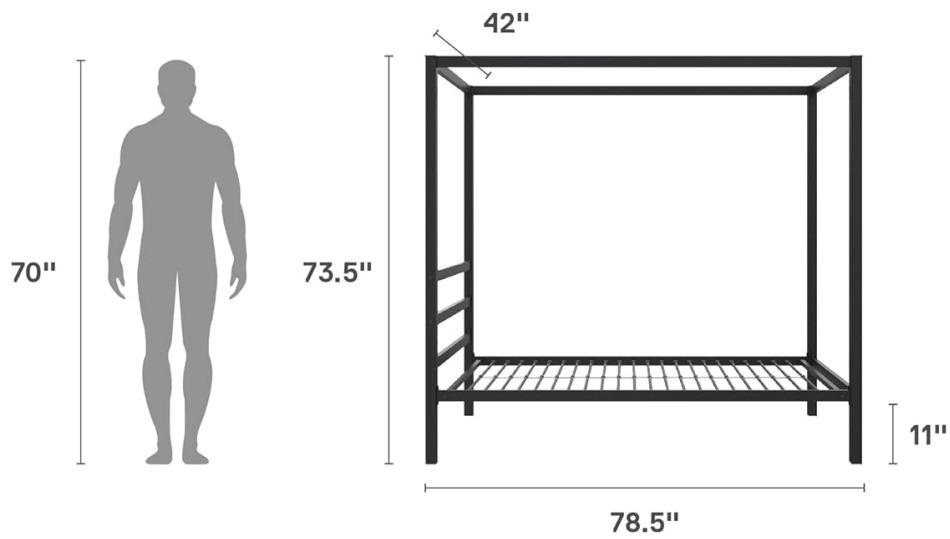
## PRODUCT FEATURES

---

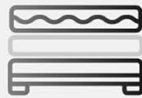
- **Sturdy Metal Construction:** Features a strong metal structure with stable center legs and a metal bar for superior stability.
- **No Box Spring Needed:** Heavy-duty metal slats provide excellent airflow and support for your mattress, eliminating the need for a box spring.
- **Underbed Storage:** Offers 11 inches of clearance for convenient storage of bins or luggage.
- **Minimalist Design:** Chic industrial statement piece with clean straight lines and a minimalist headboard.
- **Durable Finish:** Premium powder-coated finish protects against corrosion and rust, ensuring longevity.
- **Mattress Security:** Slats and raised sides keep your mattress securely in place, preventing sliding.

# FITS ONE TWIN SIZE MATTRESS

(not included)



**Weight Limit**



**No Boxspring**



**Trendy Design**

Figure 1: Key features and dimensions of the DHP Canopy Platform Bed. This image illustrates the bed's overall dimensions (78.5"L x 42"W x 73.5"H), 11" underbed clearance, 250 lb weight limit, and highlights that no box spring is needed.

# THOUGHTFULLY DESIGNED

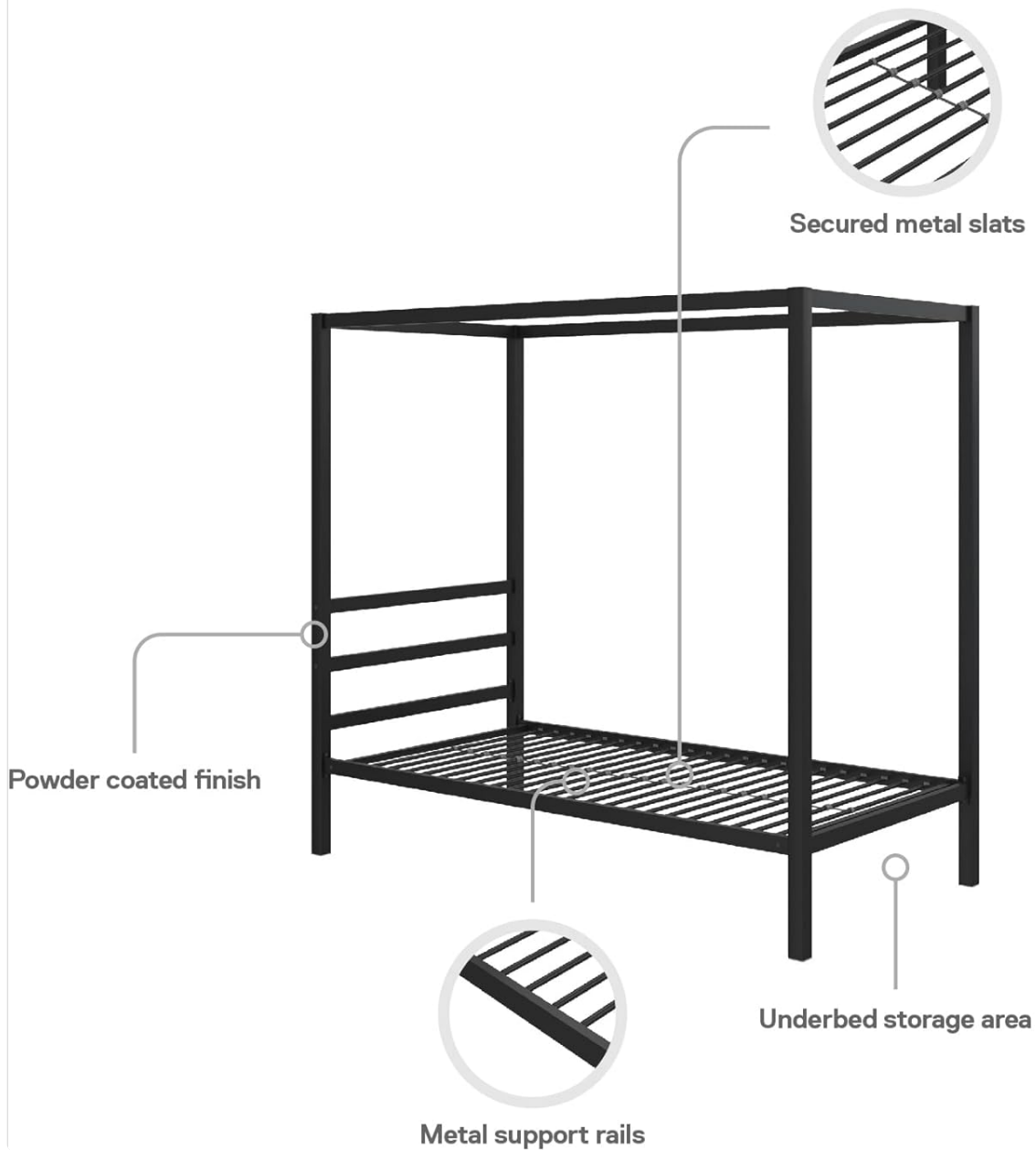


Figure 2: Details of the bed frame, including the fine metal finish and the spacious underbed storage area.



*Figure 3: An exploded view highlighting the powder-coated finish, metal support rails, underbed storage area, and secured metal slats.*

## **SETUP AND ASSEMBLY**

---

The DHP Modern Metal Canopy Platform Bed is designed for stress-free assembly. All necessary tools and instructions are included in the package. It is recommended to assemble the bed with at least two people for ease and safety.

### **Before You Begin:**

- Verify all parts are present by checking the included parts list against the contents of the box.
- Clear an adequate space for assembly.
- Keep children and pets away from the assembly area.

### **Assembly Tips:**

- Follow the step-by-step instructions provided in the separate assembly manual.
- Do not fully tighten screws until all components are loosely assembled.
- Ensure all connections are secure before placing a mattress on the frame.

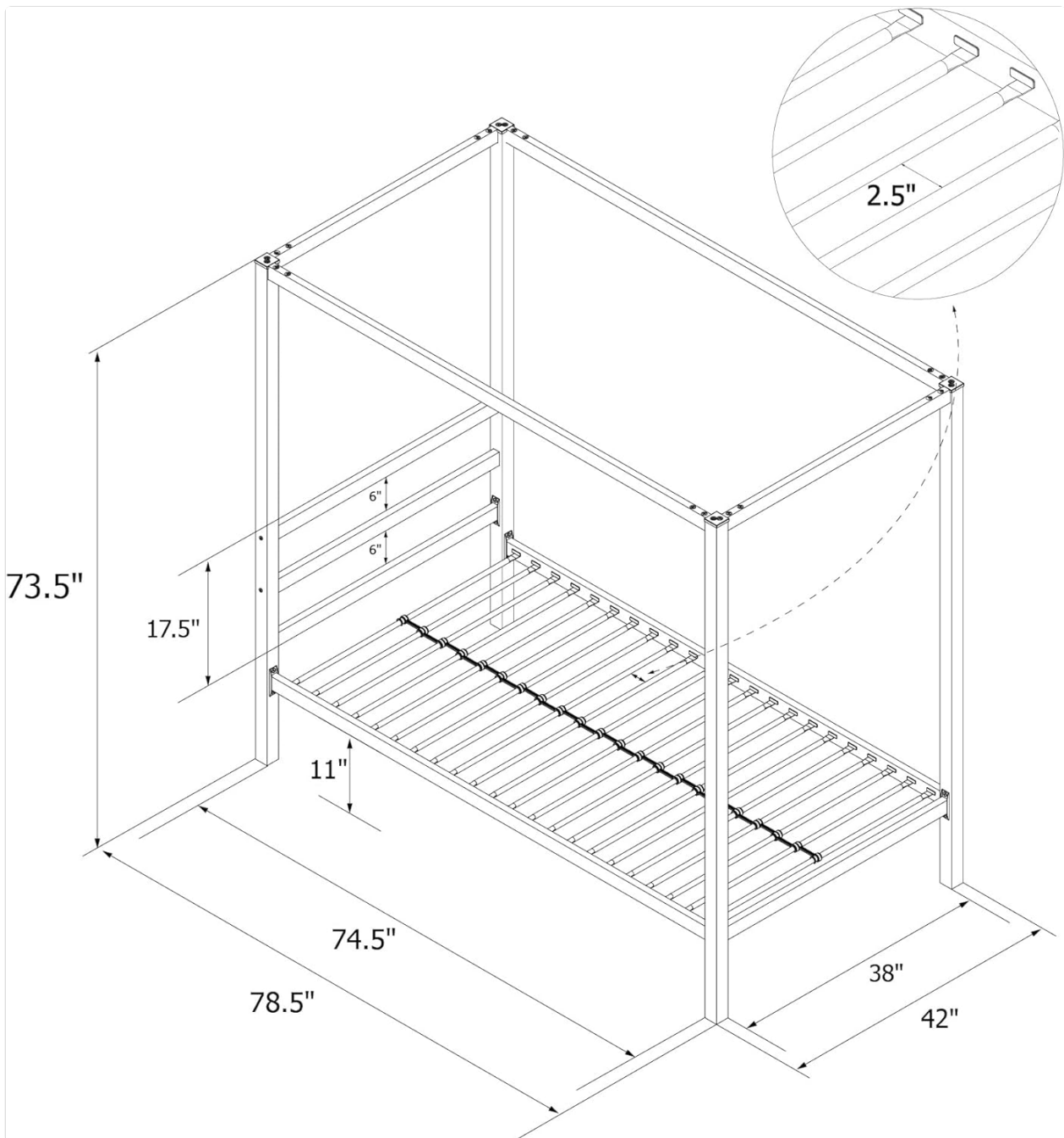


Figure 4: An isometric view illustrating the bed frame's structure and key dimensions for assembly. This diagram shows the overall length, width, height, and underbed clearance, along with a close-up of the slat attachment.

## OPERATING INSTRUCTIONS

This bed frame is designed for supporting a mattress directly on its metal slats. No box spring is required, but one can be used if desired, though it will raise the mattress height significantly.

### Placing Your Mattress:

- Carefully place your twin-sized mattress directly onto the assembled metal slats.
- Ensure the mattress is centered and fits within the raised sides of the frame to prevent shifting.



*Figure 5: The DHP Canopy Platform Bed fully assembled with a mattress and bedding, showcasing its minimalist design.*



*Figure 6: A front view of the assembled bed, highlighting the minimalist headboard design.*



Figure 7: A side view of the assembled bed, showing the full canopy structure.

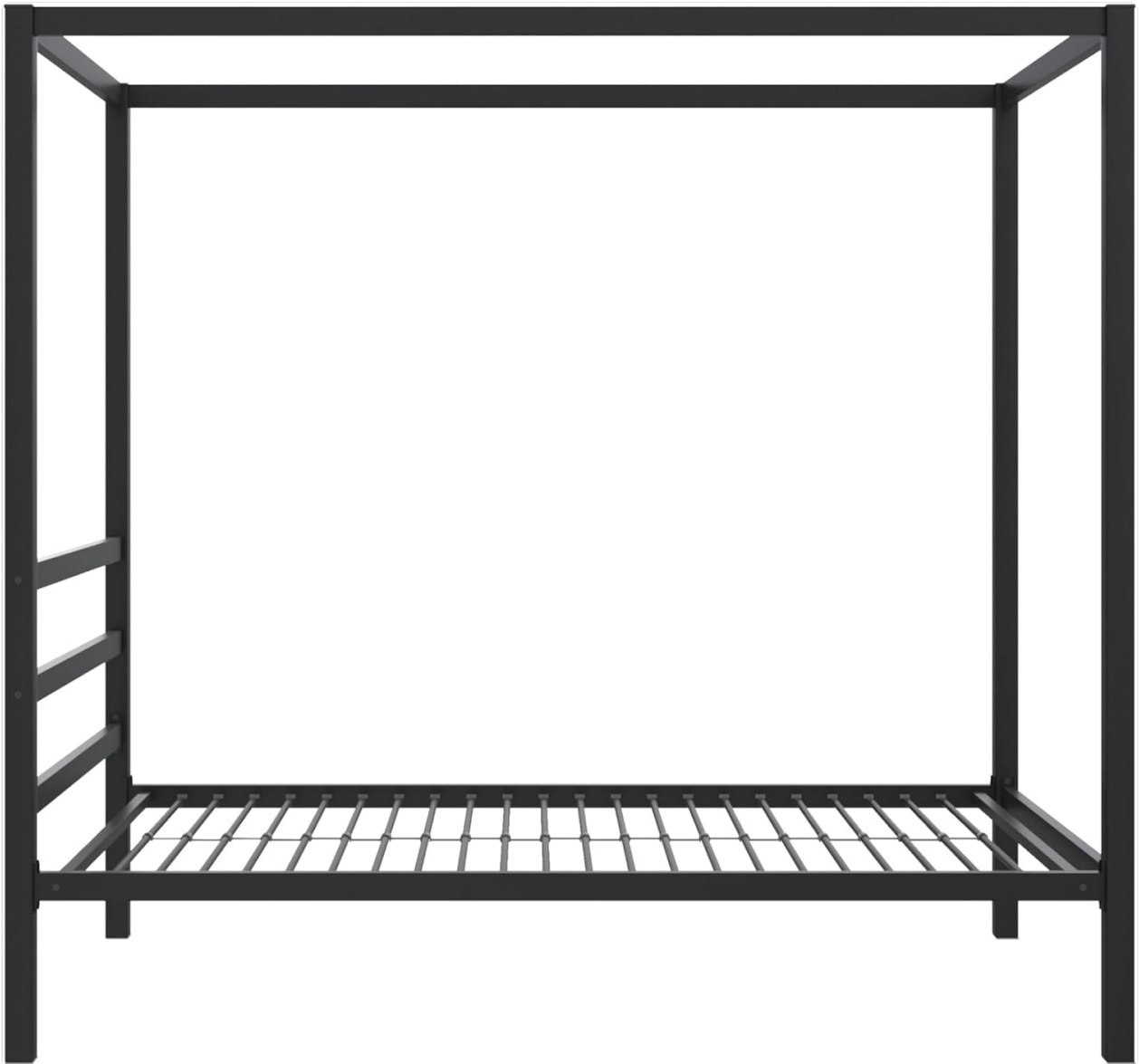


Figure 8: The bed frame without a mattress, illustrating the slat system and headboard design.

## MAINTENANCE AND CARE

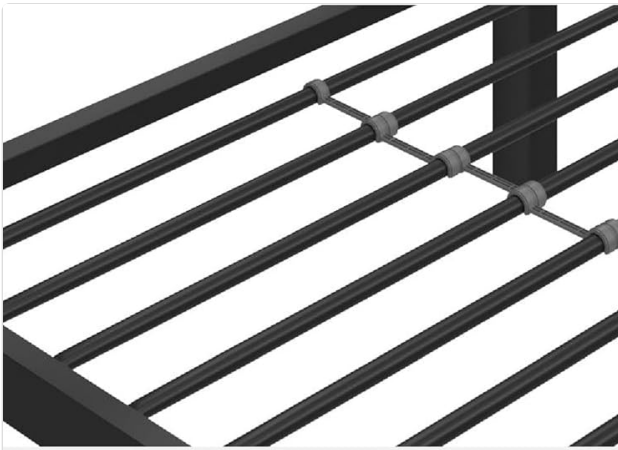
---

Proper care will ensure the longevity and appearance of your DHP Metal Canopy Platform Bed.

- **Cleaning:** Wipe the metal frame with a damp cloth. Avoid harsh chemicals or abrasive cleaners, as they may damage the powder-coated finish.
- **Regular Checks:** Periodically check all bolts and screws to ensure they remain tight. Re-tighten if necessary to maintain stability.
- **Weight Limit:** Do not exceed the maximum weight limit of 500 lbs for the Twin size bed frame.



*Figure 9: Detail of the secured metal slats, designed to prevent noise and provide stable mattress support.*



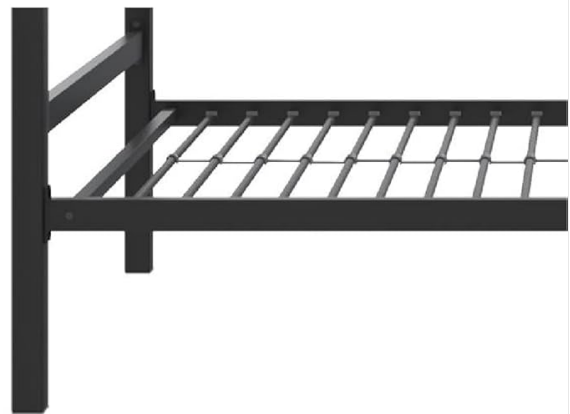
**Secured metal slats**  
stay put to prevent noise



**No box spring needed**



**Raised sides** keep the  
mattress in place



**Reinforced metal rail**

*Figure 10: Close-up showing the raised sides of the bed frame, which help to keep the mattress securely in position.*

# DETAILS THAT MATTER

## Fine metal details

in a smooth and durable powder coated finish



## Storage space

under the bed is perfect for bins or boxes

Figure 11: Detail of the reinforced metal rail, contributing to the bed frame's overall stability and durability.

## TROUBLESHOOTING

If you encounter any issues with your DHP Metal Canopy Platform Bed, please refer to the following common solutions:

Problem	Possible Cause	Solution
Bed frame feels wobbly or unstable.	Loose bolts or screws.	Ensure all assembly bolts and screws are fully tightened. Refer to the assembly manual for specific locations.
Squeaking noises from the frame.	Loose connections or friction between metal parts.	Re-tighten all bolts. Apply a small amount of lubricant (e.g., silicone spray) to connection points if squeaking persists.
Mattress slides on the frame.	Mattress not properly aligned or raised sides not effective.	Ensure the mattress is centered within the frame. The raised sides are designed to hold it in place. If the mattress is too small for the frame, it may shift.

## SPECIFICATIONS

Attribute	Detail
Model Number	4578019
Size	Twin
Product Dimensions (L x W x H)	78.5" x 42" x 73.5"
Underbed Clearance	11 Inches
Max Weight Limit	500 lbs
Color	Black
Material / Finish Type	Metal / Powder Coated
Assembly Required	Yes
Compatible Mattress Sizes	Twin (also available in Full, Queen, King)
UPC	029986457806

## WARRANTY AND SUPPORT

DHP stands behind the quality of its products. Your DHP Modern Metal Canopy Platform Bed comes with a **1-year limited warranty**.

### Customer Support:

For any questions, assistance with assembly, or to order replacement parts, please contact DHP customer support. Support is available 7 days a week.

- Easily order parts online or by phone.
- Refer to the original packaging or the DHP website for the most current contact information.



*Figure 12: DHP's commitment to customer support, including assembly videos, easy instructions, online parts ordering, and warranty.*

© 2024 DHP. All rights reserved.