

BUCKLOS KMUS-700906-F+R-XT

BUCKLOS 700C Road Bike Wheelset Instruction Manual

Model: KMUS-700906-F+R-XT

1. INTRODUCTION

Thank you for choosing the BUCKLOS 700C Road Bike Wheelset. This manual provides essential information for the proper setup, operation, and maintenance of your new wheelset. Please read these instructions carefully before installation and use to ensure optimal performance and safety. This wheelset is designed for road cycling, commuting, travel, and racing applications, offering compatibility with both disc and rim brake systems, and supporting 8, 9, 10, or 11-speed cassettes.

2. PRODUCT OVERVIEW

The BUCKLOS 700C Road Bike Wheelset features a lightweight design with a carbon fiber hub and durable aluminum alloy rims. It is engineered for smooth performance and reliability across various road conditions.

Key Features:

- **Carbon Fiber Hub:** Equipped with a carbon fiber hub for reduced weight and enhanced performance. The front hub features 2 bearings, and the rear hub features 5 bearings, designed for quick spin-up and speed.
- **Rim Dimensions:** Double-wall aluminum alloy rims with a 40mm depth, 20mm outer width, and 14mm inner width.
- **Spokes:** Features 24 steel spokes on both front and rear wheels, designed for strength and consistent tension.
- **Brake Compatibility:** Supports both disc brake and rim brake systems.
- **Cassette Compatibility:** Designed to support 8, 9, 10, and 11-speed cassettes.
- **Tire Compatibility:** Suitable for 18-25c clincher tires with Presta valves.
- **Quick Release:** Includes quick release levers (with QR skewer/end caps) for convenient installation.



Figure 2.1: BUCKLOS 700C Road Bike Wheelset (Pair)

HUB DETAILS

HUB MATERIAL: **CARBON FIBER**

FRONT: 100*9MM

REAR: 135*10MM

QUICK RELEASE
WHEEL ACCESSORIES
(CONTAIN QR SKEWER)

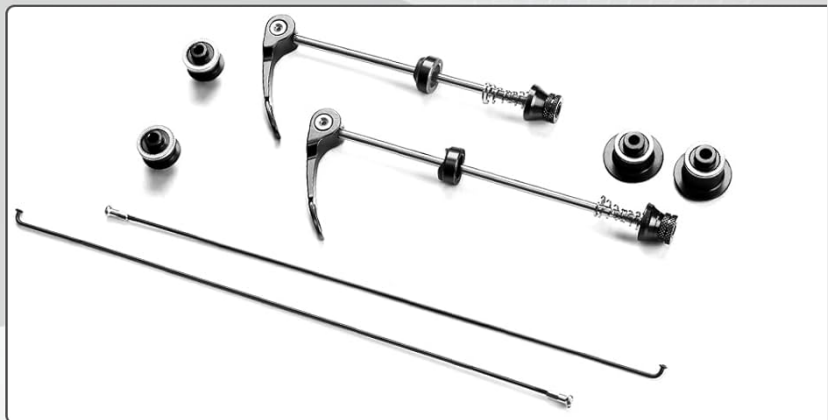
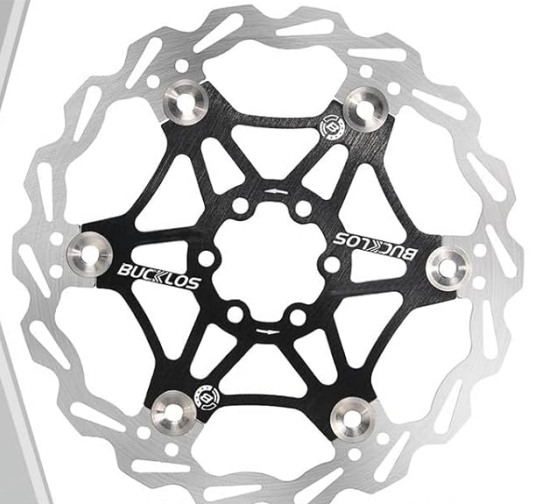


Figure 2.2: Detailed view of the carbon fiber hub and quick release components.

BRAKE STYLE



DISC BRAKE



RIM BRAKE

Figure 2.3: Illustration of disc brake and rim brake compatibility.



FRONT: 24

REAR: 24

VALVE TYPE: PRESTA(F/V)

CASSETTE: 8/9/10/11 SPEED

RIVETS: INCREASE THE STRENGTH OF THE RIM

ROUND SPOKE

Figure 2.4: Close-up of the rim showing 24 spokes, Presta valve type, and cassette speed compatibility.

Video 2.1: Overview of BUCKLOS Road Bike Wheels, demonstrating wheel spin and hub details.

3. SETUP AND INSTALLATION

Proper installation is crucial for the safety and performance of your wheelset. If you are unsure about any steps, please consult a professional bicycle mechanic.

3.1 Cassette Installation

The BUCKLOS wheelset is compatible with 8, 9, 10, and 11-speed cassettes. A cassette is not included with the wheelset and must be purchased separately. Follow the manufacturer's instructions for your specific cassette model. Ensure the cassette is securely fastened to the freehub body.

3.2 Disc Brake Rotor Installation (for Disc Brake Models)

If your bicycle uses disc brakes, you will need to install a compatible disc brake rotor onto the hub. The BUCKLOS wheelset is compatible with six-hole disc brake rotors. Rotors are not included with the wheelset.

3.3 Tire Installation

The rims are designed for 18-25c clincher tires and Presta valves. Install your chosen tires and inner tubes according to their respective manufacturer's guidelines. Ensure the tire bead is properly seated on the rim and inflate to the recommended pressure.

3.4 Wheel Installation onto Bicycle

The wheelset includes quick release skewers for easy installation. The front axle spacing is 9x100 mm and the rear axle spacing is 10x135 mm. Securely mount the wheels onto your bicycle's frame and fork using the quick release levers. Ensure the quick release levers are tightened correctly to prevent wheel detachment during riding.

4. OPERATING INSTRUCTIONS

Once installed, your BUCKLOS wheelset is ready for use. Always perform a pre-ride safety check to ensure all components are secure and functioning correctly.

4.1 Brake System Check

Verify that your brake system (either disc or rim brake) engages properly and provides adequate stopping power. Adjust brake calipers or pads as necessary to ensure proper alignment and function with the wheelset.

4.2 Tire Pressure

Maintain appropriate tire pressure as recommended by your tire manufacturer. Correct tire pressure is essential for ride comfort, performance, and puncture resistance.

4.3 Riding Conditions

This wheelset is suitable for various road conditions, including racing, rough roads, and different weather conditions. However, always ride within your skill level and adhere to local traffic laws and safety guidelines.



Figure 4.1: Examples of suitable riding applications for the BUCKLOS 700C Road Bike Wheelset.

5. MAINTENANCE

Regular maintenance will extend the lifespan of your BUCKLOS wheelset and ensure safe operation.

5.1 Cleaning

Clean your wheels regularly with mild soap and water. Avoid harsh chemicals or high-pressure washers, which can damage bearings and finishes. Pay attention to the braking surfaces (rim or rotor) to ensure they are free of dirt and grime.

5.2 Spoke Tension

Periodically check spoke tension. Loose spokes can lead to wheel instability and damage. If you notice any loose spokes or if the wheel appears out of true, have it inspected and adjusted by a qualified mechanic.

5.3 Bearing Inspection

Listen for any unusual noises from the hubs, which could indicate worn bearings. While the hubs feature sealed bearings for durability, extreme conditions or prolonged use may require professional inspection and servicing.

5.4 Rim Tape

Ensure the rim tape (tire pad) between the rim and inner tube is properly positioned and in good condition. A damaged or improperly seated rim tape can lead to pinch flats. Replace if necessary.

6. TROUBLESHOOTING

This section addresses common issues you might encounter with your wheelset.

6.1 Frequent Flats

- **Cause:** Improper tire pressure, sharp objects embedded in the tire, or faulty rim tape.
- **Solution:** Check tire pressure before each ride. Inspect tires for embedded debris. Ensure rim tape is securely covering all spoke holes.

6.2 Wheel Wobble or Untrue Wheel

- **Cause:** Loose or unevenly tensioned spokes, or impact damage.
- **Solution:** A slight wobble can often be corrected by adjusting spoke tension. For significant wobbles or after an impact, professional truing by a bike mechanic is recommended.

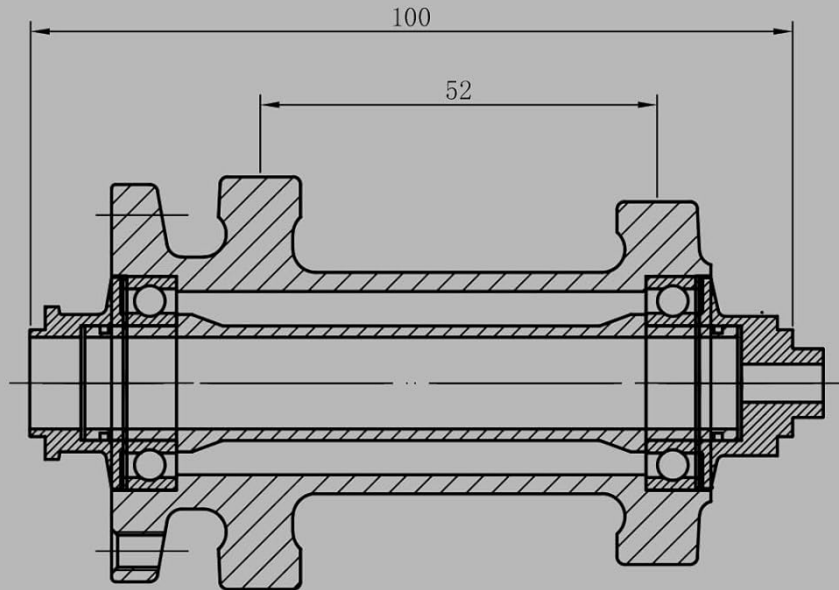
6.3 Noisy Hubs

- **Cause:** Contaminated or worn bearings, or issues with the freehub body.
- **Solution:** Inspect the hubs for dirt or damage. If the noise persists, professional servicing of the bearings or freehub is advised.

7. SPECIFICATIONS

Feature	Specification
Brand	BUCKLOS
Model Number	KMUS-700906-F+R-XT
Material	Aluminum, Carbon Fiber
Wheel Size	700C
Rim Depth	40 mm
Rim Inner Width	14 mm
Rim Outer Width	20 mm
Hub Material	Carbon Fiber
Front Hub Bearings	2
Rear Hub Bearings	5
Front Axle Spacing	9 x 100 mm
Rear Axle Spacing	10 x 135 mm
Number of Spokes	24 (Front), 24 (Rear)

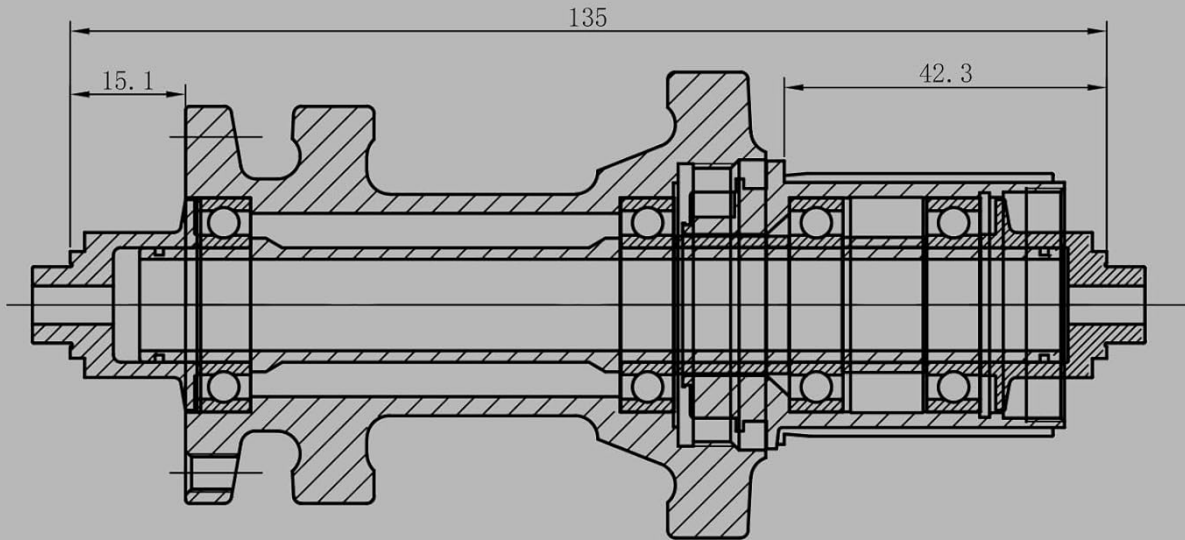
Feature	Specification
Brake Compatibility	Disc Brake / Rim Brake
Cassette Compatibility	8/9/10/11 Speed
Tire Compatibility	Clincher 18-25c
Valve Type	Presta
Item Weight (Pair)	2120 Grams



FRONT WHEEL

HUB SIZE DETAILS

Figure 7.1: Diagram illustrating front hub size details.



REAR WHEEL

HUB SIZE DETAILS

Figure 7.2: Diagram illustrating rear hub size details.

8. WARRANTY AND SUPPORT

For warranty information, product support, or to inquire about replacement parts, please contact BUCKLOS customer service directly through the retailer where the product was purchased or visit the official BUCKLOS website. Keep your proof of purchase for any warranty claims.