

[Manuals.plus](#) /

> [AVF](#) /

> AVF Traditional Steel Side Clamping Speaker Mounts in White (Set of 2) Instruction Manual

AVF EAK70W-A

AVF Traditional Steel Side Clamping Speaker Mounts

Model: EAK70W-A

Brand: AVF

INTRODUCTION

This instruction manual provides detailed guidance for the safe and effective installation and operation of your AVF Traditional Steel Side Clamping Speaker Mounts. These mounts are designed to securely hold speakers on a wall, offering adjustability for optimal sound positioning. Please read this manual thoroughly before beginning installation.

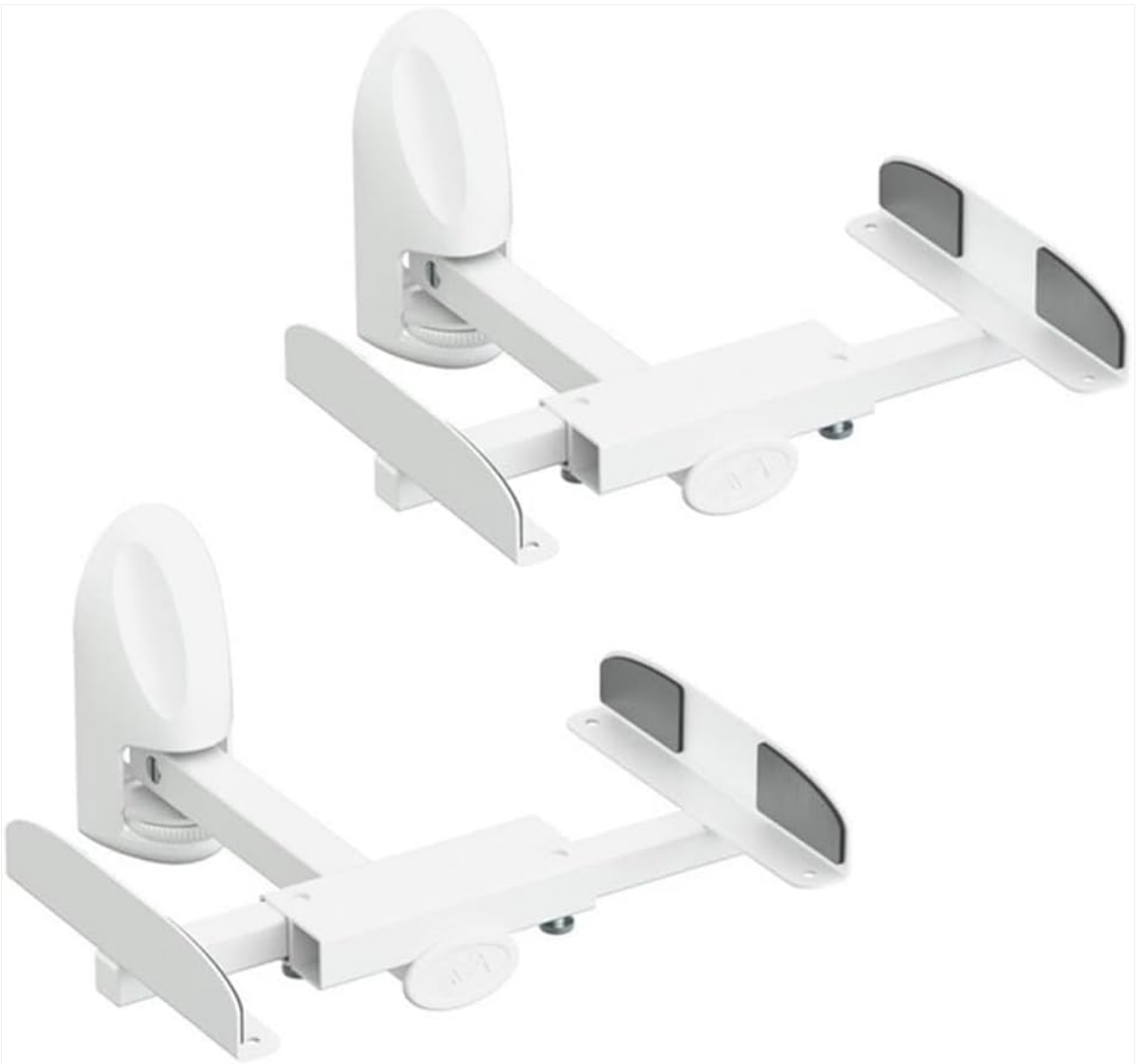


Image: A pair of white AVF Traditional Steel Side Clamping Speaker Mounts, designed for wall mounting.

SAFETY INFORMATION

- Ensure the mounting surface (wall) is capable of supporting the combined weight of the mounts and your speakers. Installation into a stud or solid wall is required.
- Do not exceed the maximum weight capacity of 44 lbs (20 kg) per mount.
- Always use appropriate tools and follow all installation steps carefully.
- If unsure about any part of the installation, consult a qualified professional.
- Keep small parts away from children to prevent choking hazards.

PACKAGE CONTENTS

Please verify that all components are present before beginning installation:

- 2 x AVF Traditional Steel Side Clamping Speaker Mounts
- Mounting Hardware Kit (screws, anchors, washers)
- Instruction Manual (this document)

Note: Speakers are not included.

SETUP AND INSTALLATION

Before you begin, gather the necessary tools: pencil, tape measure, drill, stud finder (if mounting into drywall), level, and screwdriver.

Step 1: Determine Mounting Location

Choose a suitable location on a solid wall or where wall studs can be located. Ensure the chosen height allows for optimal speaker placement and adjustment.

Step 2: Mark Drill Holes

Hold the wall plate of the mount against the wall at the desired height. Use a level to ensure it is straight. Mark the drill hole locations with a pencil. Repeat for the second mount.

Step 3: Drill Pilot Holes

Drill pilot holes at the marked locations. The size of the drill bit will depend on whether you are drilling into a wood stud (smaller bit) or using wall anchors for solid walls (larger bit as specified by anchor instructions).

Step 4: Attach Mount to Wall

Align the mount's wall plate with the pilot holes. Secure the mount to the wall using the provided screws. If using wall anchors, insert them into the pilot holes before screwing in the mount. Ensure the mount is firmly attached and stable.

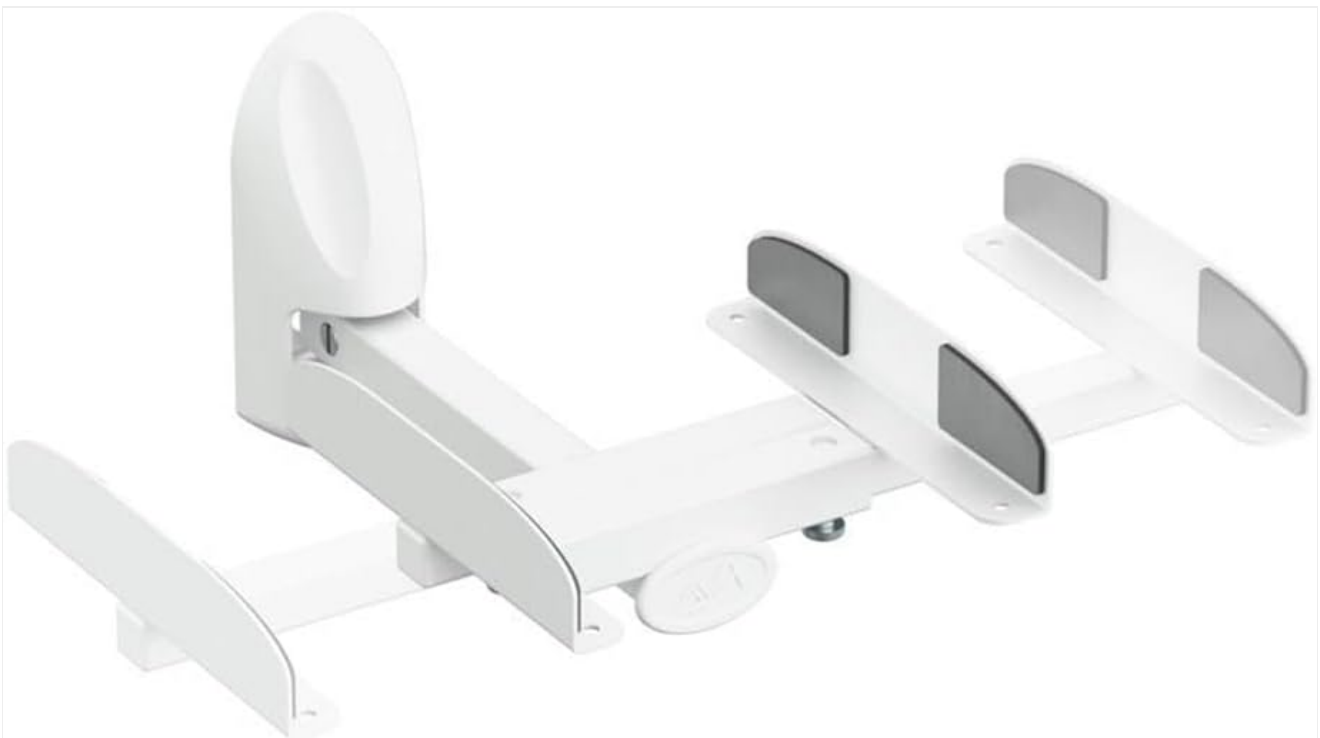


Image: Side view of a single AVF speaker mount, illustrating its structure for wall attachment.

Step 5: Adjust Clamping Base Width

The side clamping base is adjustable to accommodate speakers from 5.6 inches to 12.5 inches in width. Loosen the adjustment screws on the underside of the clamping base and slide the arms to match your speaker's width. Tighten the screws to secure the width.



Image: Top view of the speaker mount, highlighting the adjustable side clamping mechanism to fit various speaker widths.

Step 6: Place Speaker on Mount

Carefully place your speaker onto the adjusted clamping base. Ensure it is centered and stable. The mount supports speakers up to 44 lbs.



Image: A speaker securely placed on the AVF speaker mount, demonstrating the product in use.

OPERATING INSTRUCTIONS (ADJUSTMENTS)

The AVF speaker mounts offer flexible adjustments to optimize your listening experience.

Tilt Adjustment

The mount allows for an upward tilt of 5 degrees and a downward tilt of 15 degrees. To adjust the tilt, locate the tilt mechanism (usually a knob or screw) on the side of the mount. Loosen it, adjust the speaker to the desired angle, and then tighten to secure.



Image: The speaker mount demonstrating its vertical tilt capability, allowing for precise angling of the speaker.

Swivel Adjustment

The mount also allows for swivel (left and right) adjustment. This feature enables you to direct the sound precisely where needed. Loosen the swivel mechanism, rotate the speaker to the desired angle, and then tighten to secure its position.



Image: Top view of the speaker mount, illustrating its horizontal swivel range for directing sound.

MAINTENANCE

The AVF speaker mounts require minimal maintenance. Periodically check all screws and connections to ensure they remain tight and secure. Dust the mounts with a soft, dry cloth as needed. Avoid using abrasive cleaners or solvents, as these may damage the finish.

TROUBLESHOOTING

Problem	Possible Cause	Solution
Mount feels unstable after installation.	Screws are not fully tightened, or incorrect wall anchors were used.	Ensure all mounting screws are securely tightened. Verify that appropriate wall anchors were used for your wall type (e.g., stud, concrete). Re-install if necessary.
Speaker slides or is not held firmly.	Clamping base not adjusted correctly or not tightened. Speaker weight exceeds capacity.	Ensure the clamping arms are adjusted snugly against the speaker and the adjustment screws are fully tightened. Verify your speaker's weight does not exceed 44 lbs.
Difficulty adjusting tilt or swivel.	Adjustment mechanism is too tight.	Loosen the respective adjustment knob/screw slightly before attempting to move the speaker. Tighten once the desired position is achieved.

SPECIFICATIONS

Model: EAK70W-A

Material: Steel

Color: White

Quantity: Set of 2 mounts

Max Speaker Weight Capacity: 44 lbs (20 kg) per mount

Adjustable Speaker Width: 5.6 inches to 12.5 inches

Tilt Adjustment: +5° (upward) to -15° (downward)

Distance from Wall: Approximately 10.5 inches

Mounting Type: Wall Mount (requires installation into stud or solid wall)

Product Dimensions: 12.6 x 10.56 x 5.12 inches (per mount, approximate)

Item Weight: 3.8 pounds (per mount, approximate)

WARRANTY AND SUPPORT

For warranty information or technical support, please refer to the official AVF website or contact AVF customer service directly. Keep your purchase receipt as proof of purchase.

AVF Official Website: www.avf.com