



[Manuals.plus](#) /

› [Harper & Bright Designs](#) /

› Harper & Bright Designs Daybed with Trundle Bed Instruction Manual

## Harper & Bright Designs B09SP7YF2Z

# Harper & Bright Designs Daybed with Trundle Bed Instruction Manual

Model: B09SP7YF2Z

## INTRODUCTION

---

Thank you for choosing the Harper & Bright Designs Daybed with Trundle Bed. This upholstered twin daybed frame is designed to provide both comfortable seating and an additional sleeping solution, making it ideal for living rooms, guest rooms, or children's rooms. This manual provides essential information for the safe assembly, operation, and maintenance of your new daybed. Please read all instructions carefully before beginning assembly and retain this manual for future reference.



Image: The Harper & Bright Designs Daybed with Trundle Bed, showcasing its elegant gray upholstered design and the pull-out trundle feature.

## IMPORTANT SAFETY INFORMATION

---

To ensure safe use of this product, please adhere to the following guidelines:

- Always assemble the daybed on a soft, clean surface to prevent damage to the product and your floor.
- Ensure all parts are present and undamaged before beginning assembly. Do not use if any parts are missing or broken.
- Tighten all fasteners securely, but do not overtighten. Periodically check and re-tighten all connections to maintain stability.
- Keep small parts and packaging materials away from children and pets to prevent choking hazards.
- Do not allow children to play on or around the daybed without adult supervision.
- The daybed is designed for sleeping and lounging. Avoid standing or jumping on the bed.
- Maximum weight capacity for the daybed is 300 lbs. Maximum weight capacity for the trundle is 220 lbs. Do not exceed these limits.

## PACKAGE CONTENTS

---

Before assembly, verify that all components listed below are included in your package:

- Upholstered Daybed Frame Components (Headboard, Footboard, Side Rails)
- Trundle Bed Frame Components
- Wood Slats for Daybed and Trundle
- Casters for Trundle Bed
- Hardware Pack (Screws, Bolts, Washers, Allen Wrench)
- Installation Manual (this document)

## ASSEMBLY INSTRUCTIONS

---

Assembly typically requires two adults. Please follow these steps carefully:

1. **Unpack and Identify Parts:** Carefully remove all components from the packaging. Lay them out on a soft, clean surface to prevent scratches. Compare all parts with the provided parts list in your manual to ensure nothing is missing.
2. **Assemble the Main Daybed Frame:** Attach the side rails to the headboard and footboard using the provided hardware. Ensure all connections are secure but do not fully tighten until the frame is upright.
3. **Install Daybed Slats:** Once the main frame is assembled, place the wooden slats across the bed frame. Secure them in place according to the pre-drilled holes or designated attachment points. This provides the necessary support for your mattress.



Image: An overhead view illustrating the sturdy wooden slat support system within the daybed frame, designed to eliminate the need

for a box spring.

4. **Assemble the Trundle Bed Frame:** Connect the trundle side rails to its end pieces. Attach the casters to the bottom of the trundle frame for easy mobility.
5. **Install Trundle Slats:** Similar to the main daybed, install the wooden slats onto the trundle frame to create a stable base for the trundle mattress.

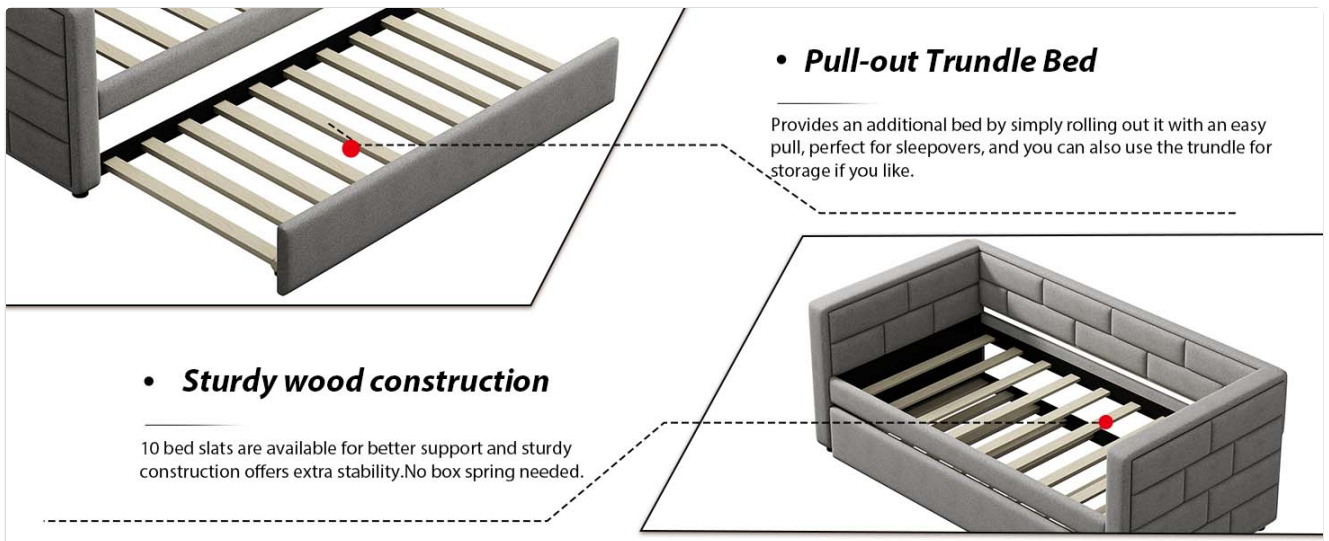


Image: A detailed view highlighting the pull-out trundle bed mechanism and the robust wood construction of both the main daybed and the trundle frame, emphasizing stability and ease of use.

6. **Insert Trundle:** Carefully slide the assembled trundle bed under the main daybed frame. Ensure it glides smoothly on its casters.
7. **Final Tightening:** Once all components are in place and aligned, go back and fully tighten all screws and bolts. Do not overtighten.

## OPERATING INSTRUCTIONS

The Harper & Bright Designs Daybed offers versatile functionality:

- **Daybed Function:** Use the main daybed as a comfortable sofa during the day. Add decorative pillows and throws to enhance its appearance and comfort.
- **Sleeping Function:** For sleeping, simply remove any decorative pillows and use a standard twin-size mattress on the main daybed.
- **Trundle Bed Operation:** To utilize the trundle bed, gently pull the trundle frame out from under the main daybed. The casters allow for smooth extension. Once fully extended, a twin-size mattress can be placed on the trundle for an additional sleeping space. To store, simply push the trundle back under the daybed.



Image: The daybed with its trundle fully extended, demonstrating how it provides an additional sleeping area, perfect for guests or sleepovers.

## CARE AND MAINTENANCE

---

Proper care will extend the life and appearance of your daybed:

- **Cleaning:** The upholstered fabric should be dry cleaned only. For minor spills, blot immediately with a clean, dry cloth. Do not use harsh chemicals or abrasive cleaners.
- **Dusting:** Regularly dust the frame with a soft, dry cloth.
- **Hardware Check:** Periodically check all bolts and screws to ensure they remain tight. Re-tighten as necessary to maintain structural integrity.
- **Avoid Direct Sunlight:** Prolonged exposure to direct sunlight can cause fabric fading. Position the daybed away from direct sunlight if possible.
- **Moving the Daybed:** When moving the daybed, always lift it rather than dragging it to prevent damage to the frame and your flooring.

## TROUBLESHOOTING

---

If you encounter any issues with your daybed, refer to the common problems and solutions below:

Problem	Possible Cause	Solution
Daybed feels wobbly or unstable.	Loose hardware connections.	Check and tighten all bolts and screws. Ensure all parts are correctly aligned.
Trundle does not slide smoothly.	Casters are dirty or obstructed; trundle frame is misaligned.	Clean casters and remove any debris. Ensure the trundle frame is assembled correctly and not warped.
Squeaking noises.	Loose connections or friction between parts.	Tighten all hardware. Apply a small amount of silicone lubricant to contact points if necessary (avoiding fabric).
Fabric appears discolored or stained.	Improper cleaning method or prolonged exposure to sunlight.	Refer to care instructions for dry cleaning. Avoid direct sunlight. For persistent stains, consult a professional upholstery cleaner.

## SPECIFICATIONS

---

Detailed specifications for the Harper & Bright Designs Daybed with Trundle Bed:

Feature	Detail
Product Dimensions	85.5"L x 81.6"W x 33.4"H
Overall Dimensions (Daybed)	76 in (L) x 39.1 in (W) x 33.4 in (H)
Color	Grey With Trundle
Material	Upholstered Fabric, Solid MDF, Plywood, Pine Wood Slats
Weight Capacity (Daybed)	300 lbs
Weight Capacity (Trundle)	220 lbs
Number of Slats	10 (for daybed), 10 (for trundle)
Assembly Required	Yes
Product Weight	137 Pounds
Manufacturer	Orien Life
UPC	195358709481

# SIZE:INCH

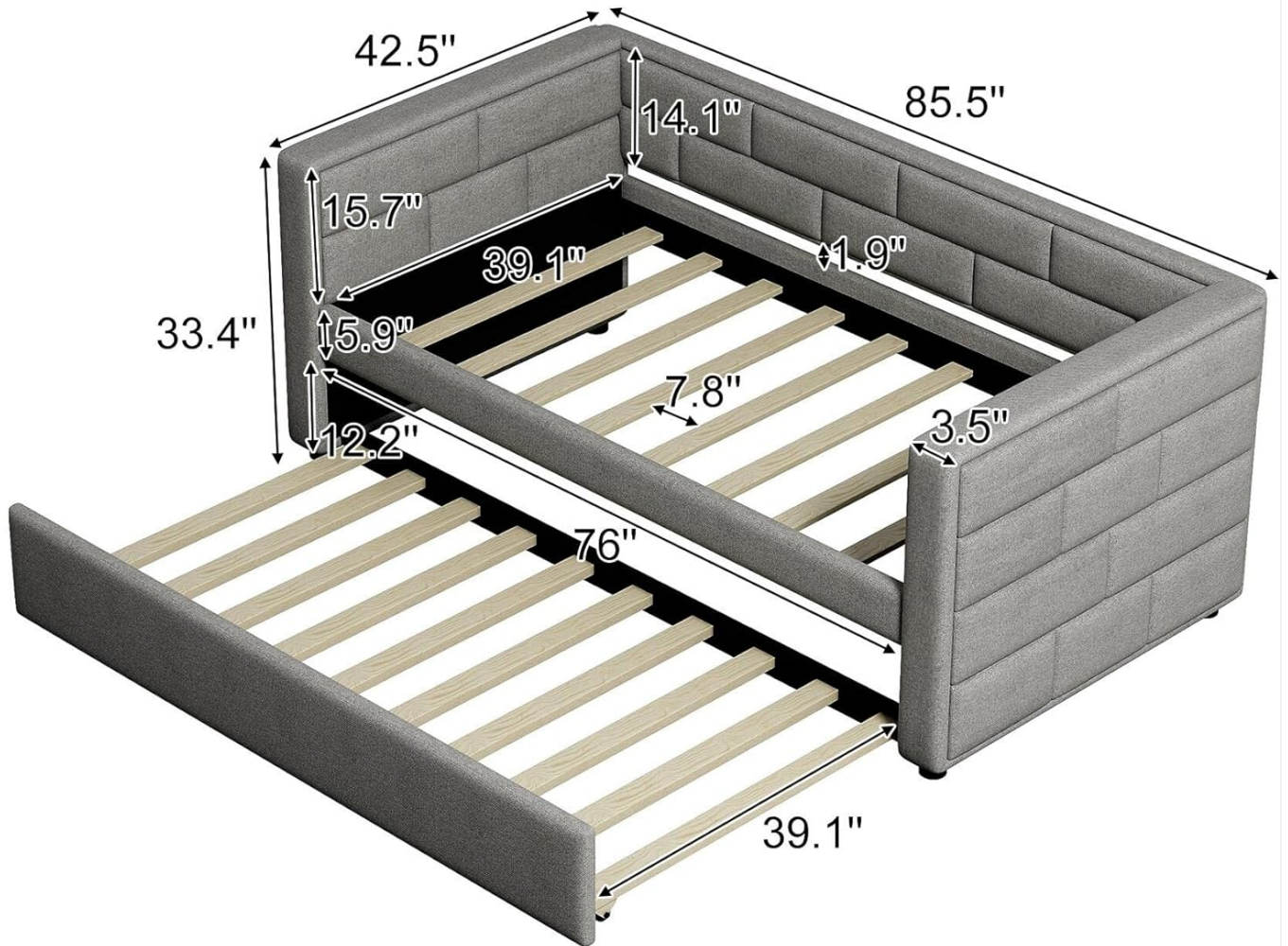


Image: A technical diagram illustrating the precise dimensions of the daybed and trundle in inches, providing clear measurements for planning and mattress selection.



Made of solid MDF



Made of plywood

## • Durable Frame •



security



stable

Our Upholstered Daybed Frame is made of solid MDF and plywood, with dense and strong support to withstand the weight of 400 lbs.

Image: A visual representation of the solid MDF and plywood materials, highlighting the durable frame construction designed for stability

and support.

## WARRANTY AND SUPPORT

---

Harper & Bright Designs is committed to providing high-quality products. For specific warranty information regarding your daybed, please refer to the documentation included with your purchase or visit the official Harper & Bright Designs website. If you have any questions, require assistance with assembly, or need to report missing/damaged parts, please contact our customer support team. Have your model number (B09SP7YF2Z) and purchase information ready when contacting support.

**Customer Support Contact:** Please refer to the contact information provided on the Harper & Bright Designs official website or your purchase receipt.

© 2024 Harper & Bright Designs. All rights reserved.