



[Manuals.plus](#) /

› [OHLPRO](#) /

› OHLPRO TQ80-P5-R Universal Tablet Car Mount Instruction Manual

OHLPRO TQ80-P5-R

OHLPRO TQ80-P5-R Universal Tablet Car Mount Instruction Manual

Model: TQ80-P5-R | Brand: OHLPRO

INTRODUCTION

This manual provides comprehensive instructions for the OHLPRO TQ80-P5-R Universal Tablet Car Mount. This versatile mount is designed to securely hold 6-11 inch tablets, including various Apple iPad and Samsung Galaxy Tab models, in your vehicle. It offers multiple installation options for dashboards, windshields, and air vents, ensuring optimal viewing angles and accessibility during travel. Please read these instructions carefully before installation and use to ensure proper function and safety.



Figure 1: OHLPRO Tablet Car Mount with various components and usage scenarios.

WHAT'S IN THE BOX

Verify that all components are present before proceeding with installation:

- 1x Tablet Holder for Car
- 1x Vent Clip
- 1x User Guide (this document)

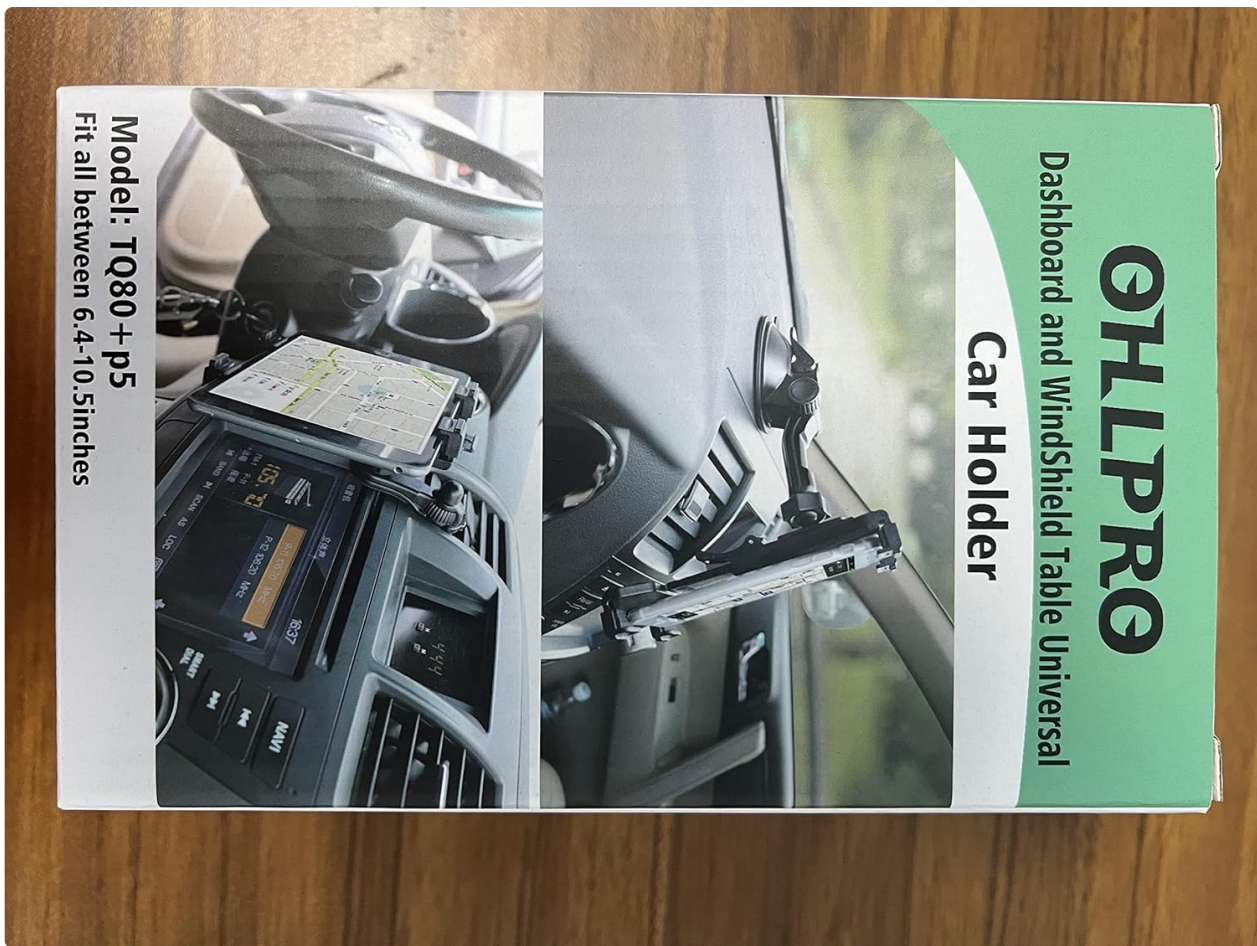


Figure 2: All included components of the OHLPRO Tablet Car Mount.

SETUP INSTRUCTIONS

The OHLPRO Tablet Car Mount offers three primary installation methods: dashboard, windshield, and air vent.

1. Dashboard/Windshield Mounting (Suction Cup)

1. **Prepare the Surface:** Clean the desired dashboard or windshield area thoroughly and ensure it is completely dry. A flat, clean surface is crucial for strong suction.
2. **Attach the Suction Cup:** Place the suction cup base firmly on the cleaned surface. Press down on the suction cup and then push the locking lever down to create a secure vacuum seal.
3. **Attach Tablet Holder:** Connect the tablet holder arm to the suction cup base. Tighten the adjustment knob to secure it in place.
4. **Adjust Position:** Use the adjustable arm and 360-degree rotatable ball joint to position the tablet holder for optimal viewing without obstructing your driving view.



Figure 3: Visual guide for windshield, dashboard, and air vent mounting options.

2. Air Vent Mounting (Vent Clip)

1. **Attach the Vent Clip:** Securely attach the provided vent clip to a suitable air vent blade in your vehicle. Ensure it is tightly locked to prevent movement.
2. **Connect Tablet Holder:** Attach the tablet holder arm to the vent clip. Tighten the adjustment knob.
3. **Positioning:** Adjust the tablet holder to your preferred viewing angle.

Never Fall Off

Tightly Locked to Air Vent Blades

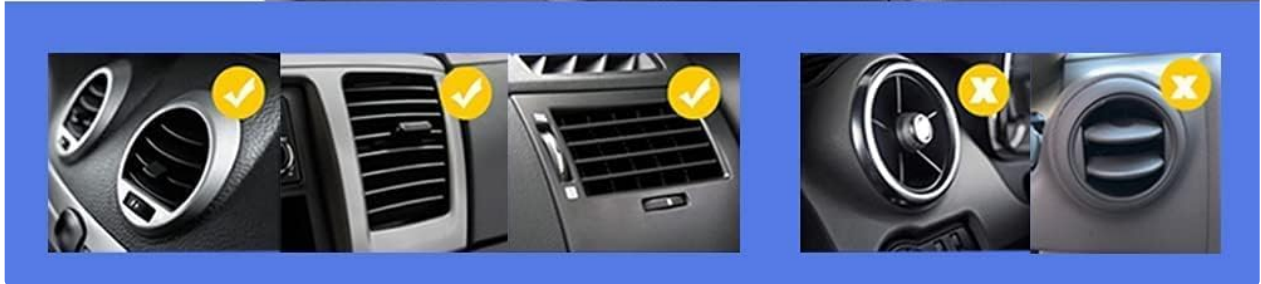


Figure 4: Close-up of the air vent clip installation.

Video: Installation and Usage Demonstration

Video 1: A demonstration of the OHLPRO Tablet Holder's installation on a dashboard and windshield, showcasing its versatility and secure attachment. This video also illustrates how to adjust the holder and insert a tablet.

OPERATING INSTRUCTIONS

1. Inserting Your Tablet

Gently pull the top and bottom clamps of the tablet holder apart to create enough space for your tablet. Insert your 6-11 inch tablet, ensuring it sits securely within the soft rubber pads. The flexible arm clip accommodates tablets with normal protective cases (thickness below 15mm).

2. Adjusting Viewing Angle

The mount features a 360-degree rotatable ball joint and a 270-degree adjustable arm, allowing you to easily switch between portrait and landscape views and find the perfect angle for navigation or entertainment.

Product details

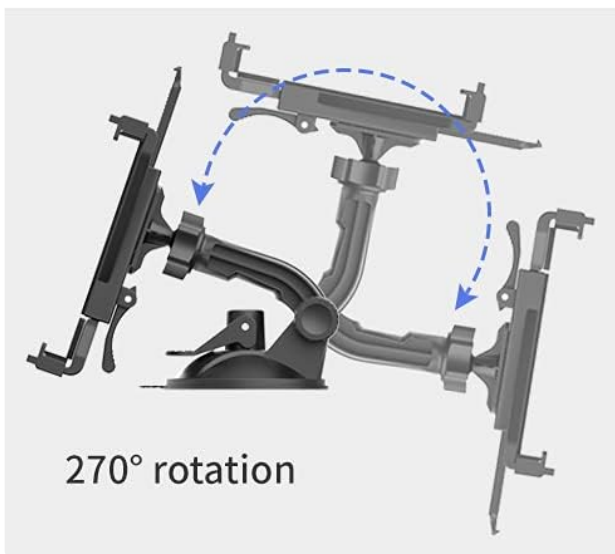


Figure 5: Key features such as rotation, adjustment, and charging port access.

3. Removing Your Tablet

To remove your tablet, simply pull the top clamp upwards to release the tablet from the holder.

Video: Product Features and Usage

Video 2: This video highlights the various features of the tablet mount, including its adjustability and how it securely holds a tablet in different orientations within a vehicle.

MAINTENANCE

To maintain the strong adhesion of the suction cup, rinse it with warm water and allow it to air dry completely whenever it loses stickiness. This will reactivate the adhesive properties.

TROUBLESHOOTING

- **Suction Cup Not Holding:** Ensure the mounting surface is clean, dry, and flat. Rinse the suction cup with warm water and air dry to restore stickiness. Press firmly and engage the locking lever.
- **Tablet Does Not Fit with Case:** The holder is designed for tablets with normal protective cases (thickness below 15mm). If your case is thicker, it may need to be removed for proper fit.

- **Holder Feels Unstable:** Verify that all adjustment knobs are tightened securely after positioning. For dashboard mounting, ensure the suction cup is on a flat, smooth surface.

SPECIFICATIONS

Feature	Detail
Model Number	TQ80-P5-R
Compatible Tablet Sizes	6 - 11 inches
Mounting Types	Dashboard, Windshield, Air Vent
Rotation	360° (ball joint), 270° (arm)
Color	Black
Item Weight	7.1 ounces
Product Dimensions	4 x 3.5 x 2 inches

Suitable for 6"-11" Tablet



Apple iPad Tablet



Samsung Galaxy Tablet



Others Tablet



Figure 6: Tablet size compatibility details.

WARRANTY AND SUPPORT

OHLPRO offers a 36-month care plan for this product. For any questions, technical assistance, or warranty claims, please refer to the contact information provided with your purchase or visit the official OHLPRO support channels.

© 2025 OHLPRO. All rights reserved.