



[Manuals.plus](#) /

> [Moondrop](#) /

> MOONDROP Spring Tips In-Ear Earphone Tips Instruction Manual

Moondrop Spring Tips

MOONDROP Spring Tips In-Ear Earphone Tips Instruction Manual

Model: Spring Tips

INTRODUCTION

This manual provides instructions for the MOONDROP Spring Tips silicone ear tips. Designed with a double-mold injection molding process, these ear tips integrate a newly developed high-frequency waveguide structure and radial support. They offer a soft, comfortable fit, support the central axis to resist deformation, correct high frequencies, and effectively prevent low-frequency sound leakage for an improved listening experience.

PACKAGE CONTENTS

The MOONDROP Spring Tips package includes:

- 3 pairs (6 pieces) of MOONDROP Spring Tips silicone ear tips (M size).

清 SPRING TIPS 泉

for MOONDROP IEM

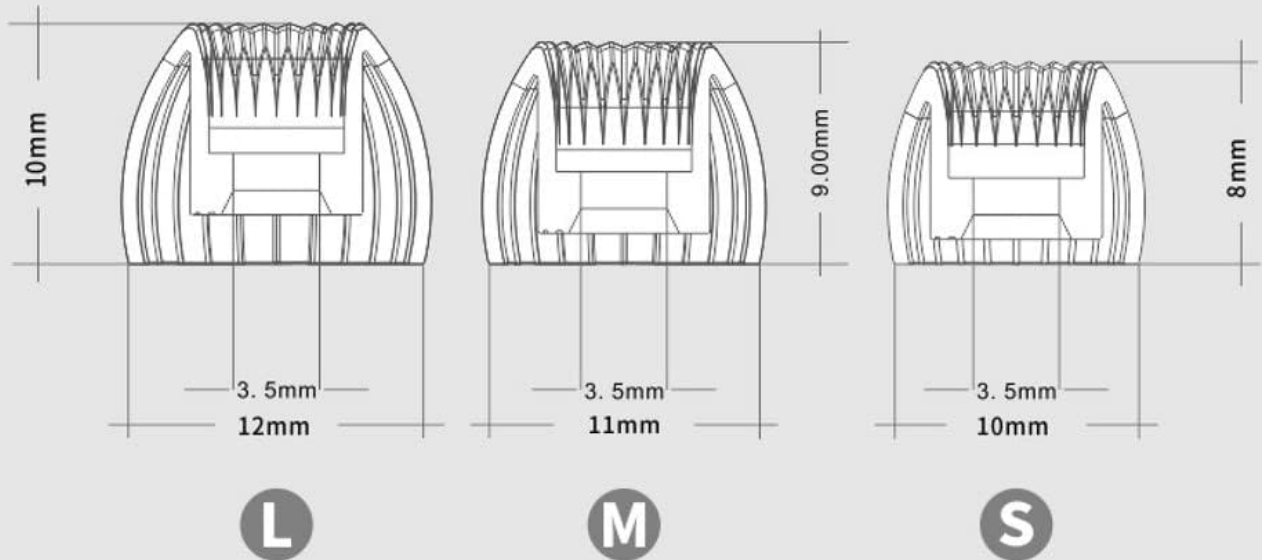


Image: Contents of the MOONDROP Spring Tips package, showing three pairs of M-sized ear tips.

FEATURES

The MOONDROP Spring Tips are engineered with advanced features to enhance your listening experience:

- **Double-Mold Injection Molding:** Ensures precise construction and durability.
- **High-Frequency Waveguide Structure:** A newly developed design that integrates with a radial support structure to optimize sound delivery.
- **Comfortable Fit:** Made from custom soft silicone material for extended wear comfort.
- **Deformation Resistance:** The central axis is supported to prevent the ear tips from collapsing, maintaining their shape and acoustic integrity.
- **Acoustic Correction:** Corrects high frequencies for a more natural timbre and prevents loss of high-frequency extension.
- **Bass Leakage Prevention:** Effectively prevents low-frequency sound leakage, ensuring rich and impactful bass.

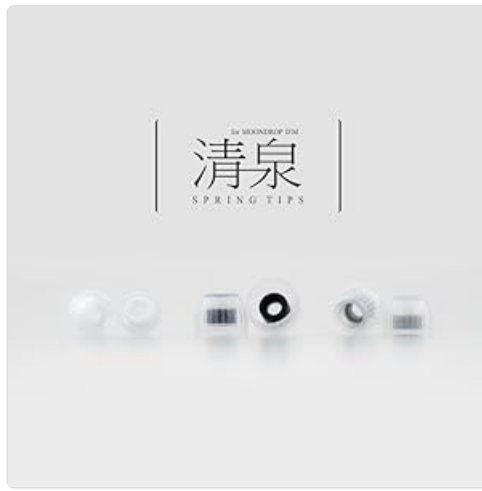


Image: Detail of the medical-grade silicone material used in Spring Tips.

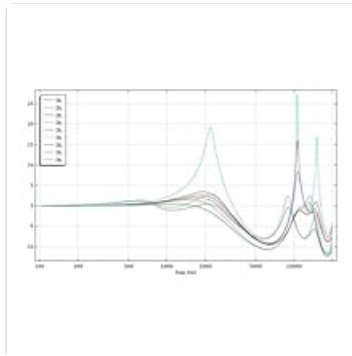


Image: Acoustic performance graph showing significant resonance suppression.

COMPATIBILITY

The MOONDROP Spring Tips are designed to be compatible with in-ear monitor (IEM) nozzles with a diameter ranging from **4.8mm to 6.4mm**.

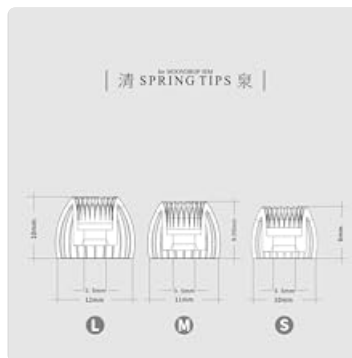


Image: Diagram illustrating the compatible nozzle diameter range.

SETUP

Follow these steps to properly attach the Spring Tips to your in-ear monitors:

1. **Select the Correct Size:** Ensure you have chosen the appropriate ear tip size (S, M, or L) for your ear canal. The M size is included in this package.
2. **Remove Existing Ear Tips:** Gently twist and pull off any existing ear tips from your IEM's nozzle.
3. **Attach Spring Tips:** Align the opening of the Spring Tip with the IEM nozzle. Apply gentle, even pressure while twisting slightly until the ear tip is securely seated on the nozzle. Ensure the ear tip is fully pushed down and forms a

tight seal.

4. **Check for Secure Fit:** Lightly tug on the ear tip to confirm it is firmly attached and will not easily come off during use.



Image: A Spring Tip correctly installed on an IEM.

OPERATING (USAGE)

Once the Spring Tips are securely attached to your IEMs, insert the IEMs into your ears. Adjust their position until you achieve a comfortable and snug fit that creates a good seal. A proper seal is crucial for optimal sound quality, especially for bass response and noise isolation.

Note: If you experience discomfort or poor sound quality, try adjusting the ear tip's position or experimenting with different sizes (if available) to find the best fit for your ears.

MAINTENANCE

Regular cleaning and proper care will extend the lifespan of your MOONDROP Spring Tips and maintain hygiene:

- **Daily Cleaning:** After each use, gently wipe the ear tips with a clean, dry, lint-free cloth to remove any earwax or debris.
- **Deep Cleaning:** If necessary, remove the ear tips from your IEMs and wash them with mild soap and lukewarm water. Rinse thoroughly to remove all soap residue.
- **Drying:** Allow the ear tips to air dry completely before reattaching them to your IEMs. Do not use heat to dry them, as this may damage the silicone material.
- **Storage:** Store your ear tips in a clean, dry place away from direct sunlight and extreme temperatures when not in use.

Caution: Do not use harsh chemicals or abrasive materials for cleaning, as these can damage the silicone.

TROUBLESHOOTING

Problem	Possible Cause	Solution
Poor sound quality / Lack of bass	Improper seal in the ear canal.	Adjust the ear tips for a snug fit. Ensure the ear tips are fully seated on the IEM nozzle. Try a different size of ear tip if available.
Ear tips fall off easily	Ear tips not securely attached to the nozzle.	Re-attach the ear tips, ensuring they are pushed down completely and twisted firmly onto the nozzle.
Discomfort during wear	Incorrect ear tip size or improper insertion.	Try a different size of ear tip. Re-insert the IEMs, adjusting for a more comfortable angle.
Ear tips appear dirty or clogged	Accumulation of earwax or debris.	Clean the ear tips as described in the Maintenance section.

SPECIFICATIONS

Attribute	Detail
Brand	Moondrop
Model Name	Spring Tips
Model Number	MD500791
Color	White
Material	Silicone
Compatible Nozzle Diameter	4.8mm - 6.4mm
Package Contents	3 pairs (6 pieces) of M-sized ear tips

Attribute	Detail
GTIN	06972585500791



Image: Size chart for Spring Tips (S, M, L).

WARRANTY & SUPPORT

MOONDROP Spring Tips come with a manufacturer's warranty covering initial defects. If you encounter any issues with your product upon receipt, please contact your retailer for an exchange.

For further support or inquiries, please refer to the official MOONDROP website or contact their customer service.

