

[Manuals.plus](#) /

- › [Swiss Madison](#) /
- › Swiss Madison St Tropez Corner Wall Hung Sink SM-WS327 Instruction Manual

Swiss Madison SM-WS327

Swiss Madison St Tropez Corner Wall Hung Sink Instruction Manual

Model: SM-WS327 | Brand: Swiss Madison

1. INTRODUCTION

This manual provides detailed instructions for the installation, operation, and maintenance of your Swiss Madison St Tropez Corner Wall Hung Sink. This sink features a compact design for corner installation, optimizing bathroom space. Constructed from durable, non-porous ceramic, it is designed for easy cleaning and long-lasting use. It includes a pre-drilled single faucet hole and a standard drain opening.



Image 1: Top-down view of the Swiss Madison St Tropez Corner Wall Hung Sink, showcasing its triangular shape and glossy white finish.

2. SAFETY INFORMATION

- Always wear appropriate personal protective equipment (PPE) such as safety glasses and gloves during installation.
- Ensure the wall structure is capable of supporting the weight of the sink and any additional load (e.g., water, items placed on the sink). Consult a professional if unsure.
- Turn off the main water supply before beginning any plumbing work.
- Handle ceramic products with care to prevent chipping or breakage.
- Verify all connections are watertight before restoring water supply.
- This product contains chemicals known to the State of California to cause cancer and birth defects or other reproductive harm (Proposition 65 warning).

3. PACKAGE CONTENTS

Verify that all components are present and undamaged before proceeding with installation.

- St Tropez Corner Wall Hung Sink (1 unit)
- Mounting hardware (bolts, washers)

Note: Faucet, drain assembly, and P-trap are sold separately and are not included with the sink.

4. TOOLS REQUIRED

The following tools are typically required for installation:

- Tape Measure
- Pencil or Marker
- Drill
- Drill Bits (appropriate for wall material and mounting hardware)
- Level
- Adjustable Wrench
- Screwdriver Set
- Caulking Gun and Silicone Sealant

5. INSTALLATION INSTRUCTIONS

Follow these steps for proper installation of your wall-hung sink. It is recommended to have two people for certain steps.

1. **Prepare the Installation Area:** Ensure the wall surface is clean, dry, and structurally sound. Mark the desired height for the sink, considering user comfort and plumbing connections.
2. **Mark Mounting Points:** Hold the sink against the wall in the desired corner position. Use a pencil to mark the locations for the mounting bolts on the wall. Refer to the dimension diagram for precise measurements.

Installation

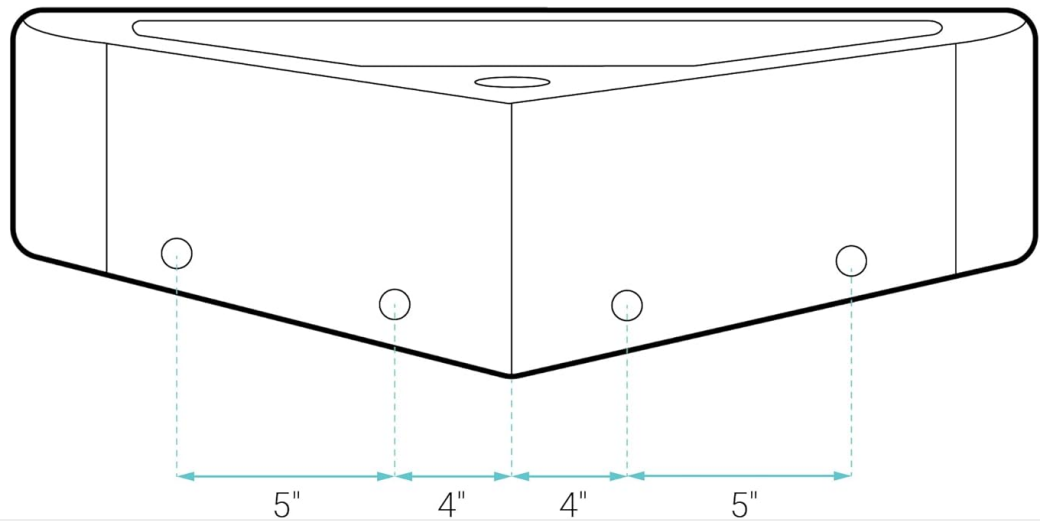


Image 2: Dimensional diagram of the sink, indicating a top width of 22.5 inches, a depth of 13.5 inches, and a height of 5.5 inches. Faucet hole diameter is 1.38 inches, and drain opening is 1.75 inches.

3. **Drill Holes:** Using an appropriate drill bit for your wall material, drill pilot holes at the marked locations.
4. **Install Mounting Bolts:** Insert the mounting bolts into the drilled holes. Ensure they are securely fastened and protrude sufficiently to accommodate the sink and washers.

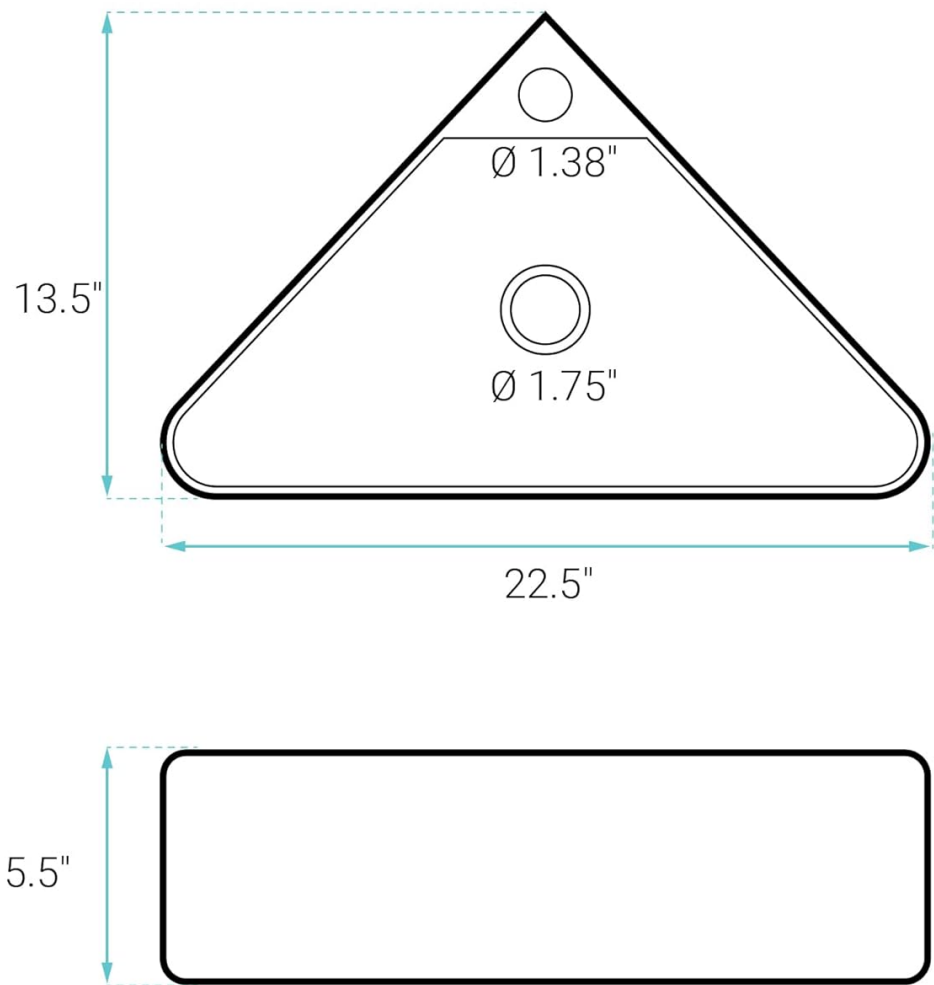


Image 3: Installation diagram illustrating the spacing of mounting points on the underside of the sink, with distances of 5 inches, 4 inches, 4 inches, and 5 inches from the corners.

5. **Mount the Sink:** Carefully lift the sink and align the mounting holes on the back of the sink with the installed bolts. Slide the sink onto the bolts.



Image 4: The sink is shown installed in a corner, highlighting its wall-mount feature. A wrench icon indicates the installation process.

- 6. Secure the Sink:** Place washers and nuts onto the mounting bolts and tighten them evenly until the sink is secure against the wall. Do not overtighten, as this can damage the ceramic.
- 7. Install Faucet and Drain:** Install your chosen faucet into the pre-drilled 1 3/8" faucet hole. Install the drain assembly into the 1.75" drain opening, followed by the P-trap and connecting it to the wall drain pipe. Ensure all plumbing connections are sealed properly to prevent leaks.



Image 5: Close-up view of the sink, pointing out the single faucet hole (1 3/8") and the standard drain size (1.75").

8. **Seal Edges:** Apply a bead of silicone sealant along the edges where the sink meets the wall to create a watertight seal and finish the installation.
9. **Test for Leaks:** Once all connections are made and sealant has cured, slowly turn on the main water supply and check for any leaks around the faucet, drain, and P-trap connections.

6. OPERATING INSTRUCTIONS

The Swiss Madison St Tropez Corner Wall Hung Sink operates like any standard bathroom sink. Turn the faucet handle to control water flow and temperature. The drain is designed for standard pop-up or grid drain assemblies (sold separately).

7. MAINTENANCE AND CARE

To maintain the appearance and longevity of your ceramic sink, follow these care guidelines:

- **Regular Cleaning:** Clean the sink regularly with a soft cloth or sponge and a mild, non-abrasive cleaner.
- **Avoid Harsh Chemicals:** Do not use abrasive cleaners, scouring pads, or harsh chemical products (e.g., strong acids, alkalis, or drain cleaners) as these can damage the ceramic surface.
- **Rinse Thoroughly:** After cleaning, rinse the sink thoroughly with clean water and wipe dry with a soft cloth to prevent water spots and mineral buildup.
- **Prevent Scratches:** Avoid dropping heavy or sharp objects into the sink, which could chip or scratch the

ceramic.

- **Wipe with Dry Cloth:** For daily care, simply wipe the surface with a dry cloth.

8. TROUBLESHOOTING

Refer to the table below for common issues and their solutions.

Problem	Possible Cause	Solution
Water Leakage	Loose plumbing connections, improper sealant application.	Check and tighten all water supply and drain connections. Reapply silicone sealant if necessary.
Slow Drainage	Clogged drain or P-trap.	Clear any obstructions from the drain assembly or P-trap.
Sink feels unstable	Mounting bolts not sufficiently tightened or improper wall support.	Ensure mounting bolts are securely tightened. Verify wall structure can support the sink.

9. SPECIFICATIONS

Feature	Detail
Brand	Swiss Madison
Model Number	SM-WS327
Color	Glossy White
Material	Ceramic
Product Dimensions (D x W x H)	13.38" x 22.04" x 5.11"
Basin Depth	5 inches
Item Weight	24.47 Pounds
Faucet Hole Count	1
Faucet Hole Diameter	1 3/8"
Drain Opening Diameter	1.75"
Installation Type	Wall-Mount
Shape	Triangular (Corner)
Finish Type	Polished
UPC	810082331332

10. WARRANTY INFORMATION

Swiss Madison products are manufactured with quality materials and excellent craftsmanship. In the event of any defects in materials or workmanship, please refer to the official Swiss Madison website or contact customer

support for detailed warranty terms and conditions. Keep your proof of purchase for warranty claims.

11. CUSTOMER SUPPORT

For technical assistance, replacement parts, or any questions regarding your Swiss Madison product, please contact our customer support team:

- **Website:** Visit the official Swiss Madison website for FAQs and support resources.
- **Contact:** Refer to the contact section on the Swiss Madison website for phone numbers or email addresses.