



Manuals.plus /

› QuickJack /

› QuickJack 7000TL Portable Car Lift Instruction Manual

QuickJack 7000TL

QuickJack 7000TL Portable Car Lift

INSTRUCTION MANUAL

Brand: QuickJack | Model: 7000TL

1. INTRODUCTION

The QuickJack 7000TL is a portable car lift designed for safely raising passenger cars, light trucks, and SUVs weighing up to 7,000 lbs. It offers an impressive 24.5-inch lift height, providing ample space for various maintenance and repair tasks. With its robust construction and user-friendly design, the 7000TL is an essential tool for any garage or auto repair shop.

This manual provides detailed instructions for the safe and effective setup, operation, and maintenance of your QuickJack 7000TL. Please read all instructions carefully before use.

2. SAFETY INFORMATION

Your safety is paramount. Always adhere to the following safety guidelines when operating the QuickJack 7000TL:

- **Read the Entire Manual:** Understand all operating procedures and safety warnings before using the lift.
- **Proper Surface:** Operate the lift on a level, solid, and clean surface capable of supporting the lift and the vehicle's weight.
- **Vehicle Placement:** Ensure the vehicle is centered and stable on the lift frames, with lifting points correctly aligned with the rubber blocks.
- **Use Jack Stands:** For extended work underneath the vehicle, always use appropriately rated jack stands in conjunction with the QuickJack for added safety.
- **Clear Area:** Keep the area around the lift clear of obstructions, tools, and personnel during operation.
- **Personal Protective Equipment:** Wear appropriate safety glasses, gloves, and footwear.
- **Avoid Overloading:** Never exceed the 7,000 lb (3,175 kg) load capacity of the QuickJack 7000TL.
- **Power Unit Safety:** Ensure the power unit is connected to a properly grounded outlet. Keep hands clear of moving parts.
- **Hydraulic Fluid:** Use only recommended hydraulic fluid. Check fluid levels regularly.

3. COMPONENTS OVERVIEW

The QuickJack 7000TL system consists of the following main components:

- Two (2) Lift Frames
- One (1) Power Unit (110V)
- Hydraulic Hoses with Quick Connect Fittings
- Remote Pendant Control
- Rubber Lifting Blocks



Figure 3.1: The QuickJack 7000TL in operation, lifting a vehicle.

7000TL

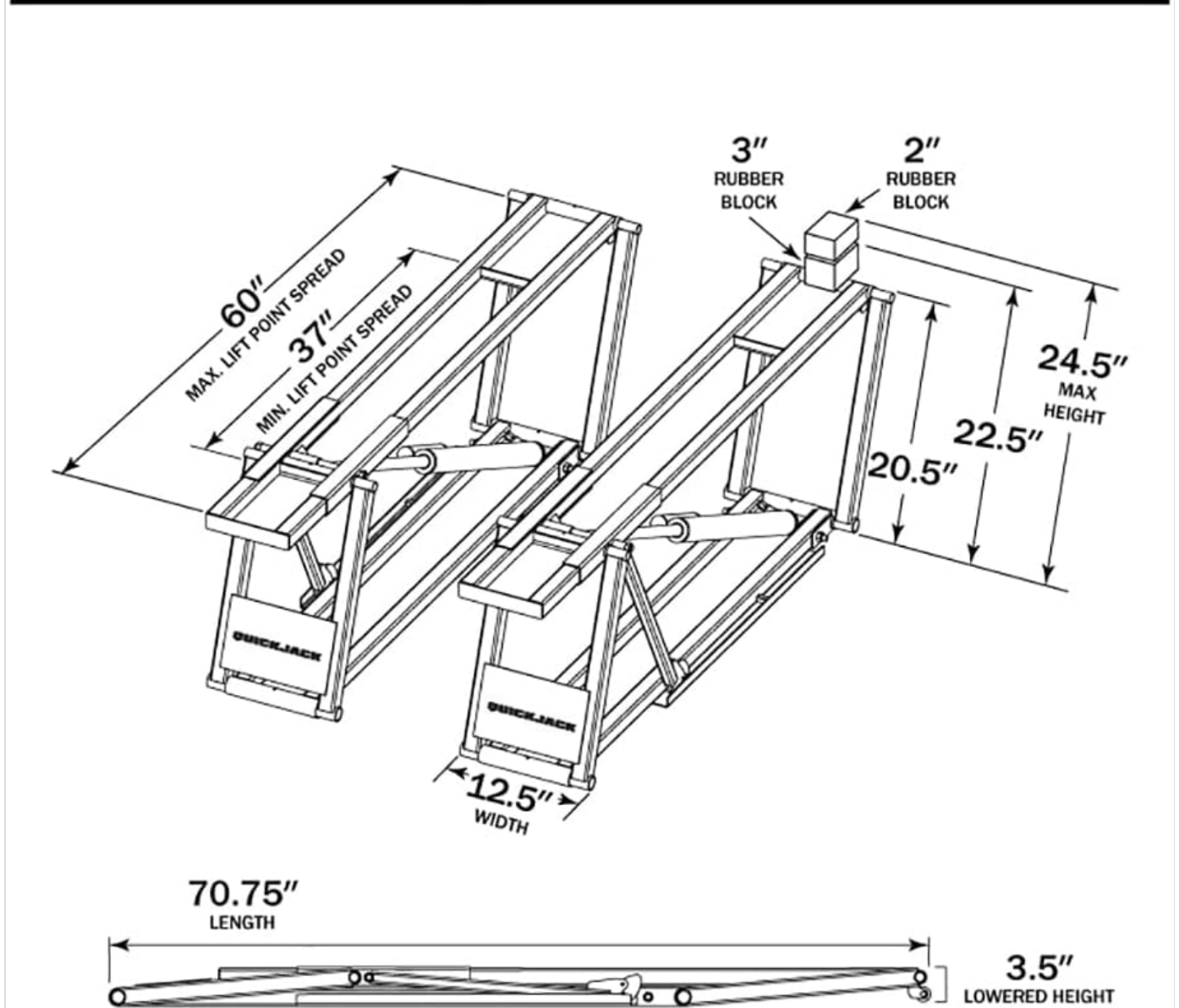


Figure 3.2: Detailed dimensions and specifications of the QuickJack 7000TL frames.

4. SETUP INSTRUCTIONS

Follow these steps to set up your QuickJack 7000TL:

1. **Unpack Components:** Carefully remove all components from their packaging. The unit ships in 3 separate boxes.
2. **Position Lift Frames:** Place the two lift frames on a flat, level, and solid surface where you intend to lift the vehicle. The frames feature non-marring wheels for easy positioning.



Figure 4.1: The compact design allows for easy transport and storage.



Figure 4.2: Placing the rubber lifting blocks onto the frames.

- 3. Connect Power Unit:** Connect the hydraulic hoses from the lift frames to the power unit using the quick-connect fittings. Ensure all connections are secure to prevent leaks.



Figure 4.3: Connecting the quick-connect hydraulic hoses to the power unit.

4. **Power Connection:** Plug the power unit into a suitable 110V or 220V power outlet.

Your browser does not support the video tag.

Video 4.1: Demonstrates the setup process, including connecting the power unit and hoses. This video also highlights the small storage footprint, non-marring wheels, quick connect hoses, and available 110V or 220V power options.

5. **Add Hydraulic Fluid:** Fill the power unit reservoir with the recommended hydraulic fluid (not included). The system typically requires approximately 3 quarts of fluid.

5. OPERATING INSTRUCTIONS

To safely operate your QuickJack 7000TL:

1. **Position Vehicle:** Drive the vehicle over the collapsed lift frames, ensuring the frames are positioned correctly under the vehicle's designated lifting points. Use the frame positioning handles to adjust.



Figure 5.1: Vehicle positioned over the QuickJack frames, ready for lifting.

2. **Place Lifting Blocks:** Place the rubber lifting blocks on the lift frames directly under the vehicle's lifting points. The QuickJack supports multiple lifting configurations.
3. **Initiate Lift:** Using the remote pendant control, press the "UP" button to begin raising the vehicle.



Figure 5.2: A technician comfortably working underneath a vehicle lifted by the QuickJack.

4. **Engage Safety Locks:** Once the desired height is reached, or at maximum lift, ensure the safety locks engage. The QuickJack features multiple locking positions for added security.
5. **Lowering the Vehicle:** To lower the vehicle, disengage the safety locks and press the "DOWN" button on the remote pendant control. Ensure the area beneath the vehicle is clear before lowering.

6. MAINTENANCE

Regular maintenance ensures the longevity and safe operation of your QuickJack 7000TL:

- **Hydraulic Fluid Check:** Periodically check the hydraulic fluid level in the power unit reservoir. Refill as necessary with the recommended fluid.
- **Hose Inspection:** Inspect hydraulic hoses for any signs of wear, cracks, or leaks before each use. Replace damaged hoses immediately.
- **Frame Inspection:** Examine the steel frames for any damage, bends, or corrosion. The frames are constructed from rugged steel with a durable powder coat finish.
- **Locking Mechanism:** Verify that the locking mechanisms engage and disengage smoothly. Keep them clean and

free of debris.

- **Cleaning:** Keep the lift frames and power unit clean. Wipe down any spills, especially hydraulic fluid.

7. TROUBLESHOOTING

If you encounter issues with your QuickJack 7000TL, refer to the following common problems and solutions:

Problem	Possible Cause	Solution
Lift does not raise.	No power, low hydraulic fluid, air in system, or faulty remote.	Check power connection. Verify hydraulic fluid level and add if low. Bleed air from the system as per detailed instructions in the full manual. Test remote control.
Lift does not lower completely.	Safety locks engaged, insufficient weight on frames, or hydraulic issue.	Ensure safety locks are fully disengaged. Apply slight downward pressure to the frames if the vehicle has been removed. Check for hydraulic blockages or pressure issues.
Hydraulic fluid leaks.	Loose fittings, damaged hoses, or worn seals.	Tighten all hydraulic fittings. Inspect hoses for damage and replace if necessary. Contact customer service for seal replacement.

For issues not listed here or if solutions do not resolve the problem, please contact QuickJack customer support.

8. SPECIFICATIONS

Feature	Detail
Load Capacity	7000 pound (3,175 kg)
Maximum Lifting Height	24.5 inches (with standard blocks)
Minimum Height (Lowered)	3.5 inches
Overall Length	70.75 inches
Overall Width	12.5 inches
Power Unit Voltage	110V (also available in 220V)
Item Weight	279 pounds (total for system)
Color	Red
Model Number	7000TL
UPC	849672024699

9. WARRANTY AND SUPPORT

For detailed warranty information, please refer to the warranty card included with your QuickJack 7000TL or visit the official QuickJack website. Keep your proof of purchase for warranty claims.

If you require technical assistance, have questions about operation, or need to order replacement parts, please contact QuickJack customer support. Contact details can typically be found in the packaging or on the manufacturer's website.

