

Manuals+

[Q & A](#) | [Deep Search](#) | [Upload](#)

manuals.plus /

› [SENSEA](#) /

› [SENSEA POP Oval MDF Wood Toilet Seat - FSC Certified - White High-Gloss Finish - Universal Fit User Manual](#)

SENSEA 3276000701330

SENSEA POP Oval MDF Wood Toilet Seat User Manual

Model: 3276000701330

1. INTRODUCTION

Thank you for choosing the SENSEA POP Oval MDF Wood Toilet Seat. This manual provides essential information for the safe and efficient installation, operation, and maintenance of your new toilet seat. Please read these instructions carefully before beginning installation and retain them for future reference.

2. SAFETY INSTRUCTIONS

- Always ensure all components are securely fastened before use.
- Do not stand on the toilet seat or lid.
- Keep cleaning agents away from children.
- Avoid using abrasive cleaners or harsh chemicals, as they may damage the finish or material.
- If any parts are damaged or missing, do not proceed with installation. Contact customer support.

3. PACKAGE CONTENTS

Please verify that all the following components are included in your package:

- 1x SENSEA POP Oval MDF Wood Toilet Seat (Lid and Ring)
- 2x Metal Hinges (pre-attached or separate)
- 2x Mounting Screws
- 2x Washers
- 2x Rubber Gaskets
- 2x Expansion Nuts (for top-fix installation)

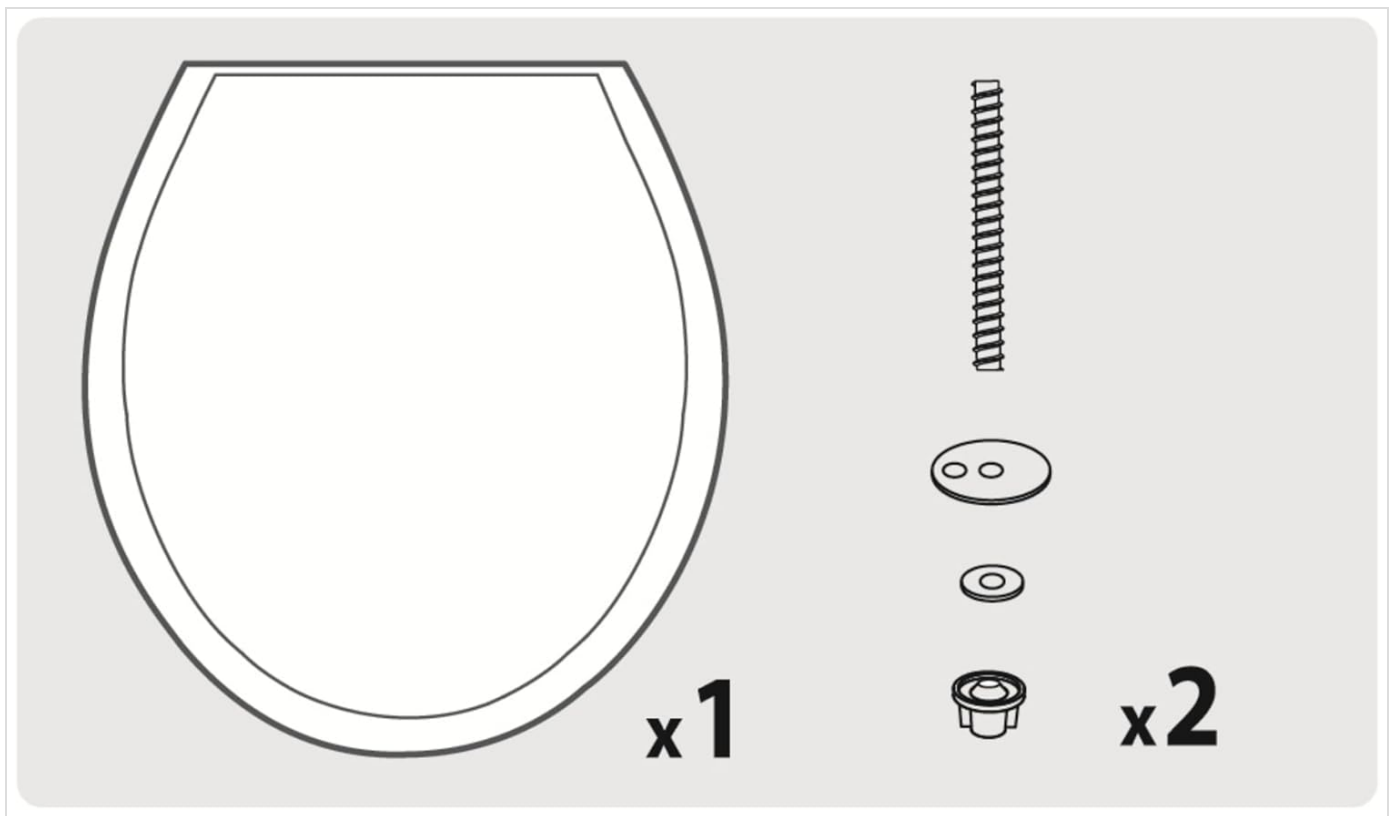


Figure 3.1: Exploded view of toilet seat components.



Figure 3.2: Toilet seat and included hardware.

4. SETUP AND INSTALLATION

The SENSEA POP toilet seat is designed for easy top-fix installation, requiring no bending under the toilet bowl.

4.1. Tools Required (Not Included)

- Screwdriver (Phillips head recommended)

4.2. Installation Steps

1. If replacing an old toilet seat, remove it by unscrewing the existing mounting bolts. Clean the toilet bowl's mounting

area thoroughly.

2. Insert the expansion nuts into the mounting holes on the toilet bowl. Ensure they are seated flush with the ceramic surface.
3. Place the rubber gaskets over the expansion nuts.
4. Position the toilet seat's hinges over the gaskets, aligning the hinge holes with the expansion nuts.
5. Insert the mounting screws through the washers, then through the hinge holes, and into the expansion nuts.
6. Hand-tighten the screws initially to allow for adjustment.
7. Adjust the position of the toilet seat to ensure it is centered and aligned with the toilet bowl.
8. Once aligned, fully tighten the mounting screws with a screwdriver. Do not overtighten.



Figure 4.1: Toilet seat installed on a standard toilet.

5. OPERATING INSTRUCTIONS

The SENSEA POP toilet seat is designed for standard use. Simply lift the lid and seat as needed. The durable metal hinges ensure smooth operation and long-lasting performance.

6. MAINTENANCE AND CARE

Proper care will extend the life and maintain the appearance of your toilet seat.

- **Cleaning:** Clean the toilet seat regularly with a soft cloth and mild, non-abrasive soap and water.
- **Avoid Harsh Chemicals:** Do not use abrasive cleaners, scouring pads, or strong chemical detergents, as these can damage the high-gloss finish and the MDF wood material.
- **Hinges:** The metal hinges are rust-resistant. Wipe them clean with a damp cloth and dry thoroughly. Do not apply lubricants unless specifically instructed by the manufacturer.
- **Drying:** Always dry the seat and hinges thoroughly after cleaning to prevent water spots and maintain hygiene.

7. TROUBLESHOOTING

If you encounter any issues with your toilet seat, please refer to the following common problems and solutions:

Problem	Possible Cause	Solution
Seat is loose or wobbly.	Mounting screws are not tight enough.	Tighten the mounting screws. Ensure the expansion nuts are properly seated.
Seat does not align with the bowl.	Seat was not properly centered during installation.	Loosen the mounting screws slightly, adjust the seat position, then re-tighten.
Lid or seat squeaks when opening/closing.	Hinges may need cleaning or minor lubrication.	Clean hinges thoroughly. If squeaking persists, apply a small amount of silicone-based lubricant to the hinge pins (avoid oil-based lubricants).

8. SPECIFICATIONS

- **Brand:** SENSEA
- **Model Number:** 3276000701330
- **Material:** MDF Wood (FSC Certified), Metal Hinges
- **Finish:** High-Gloss White
- **Product Dimensions:** Approximately 5.5 x 36.8 x 5.5 cm (H x W x D)
- **Item Weight:** Approximately 3.4 Kilograms
- **Compatibility:** Universal fit for standard oval toilets with adjustable hinges (130-180 mm hole spacing).

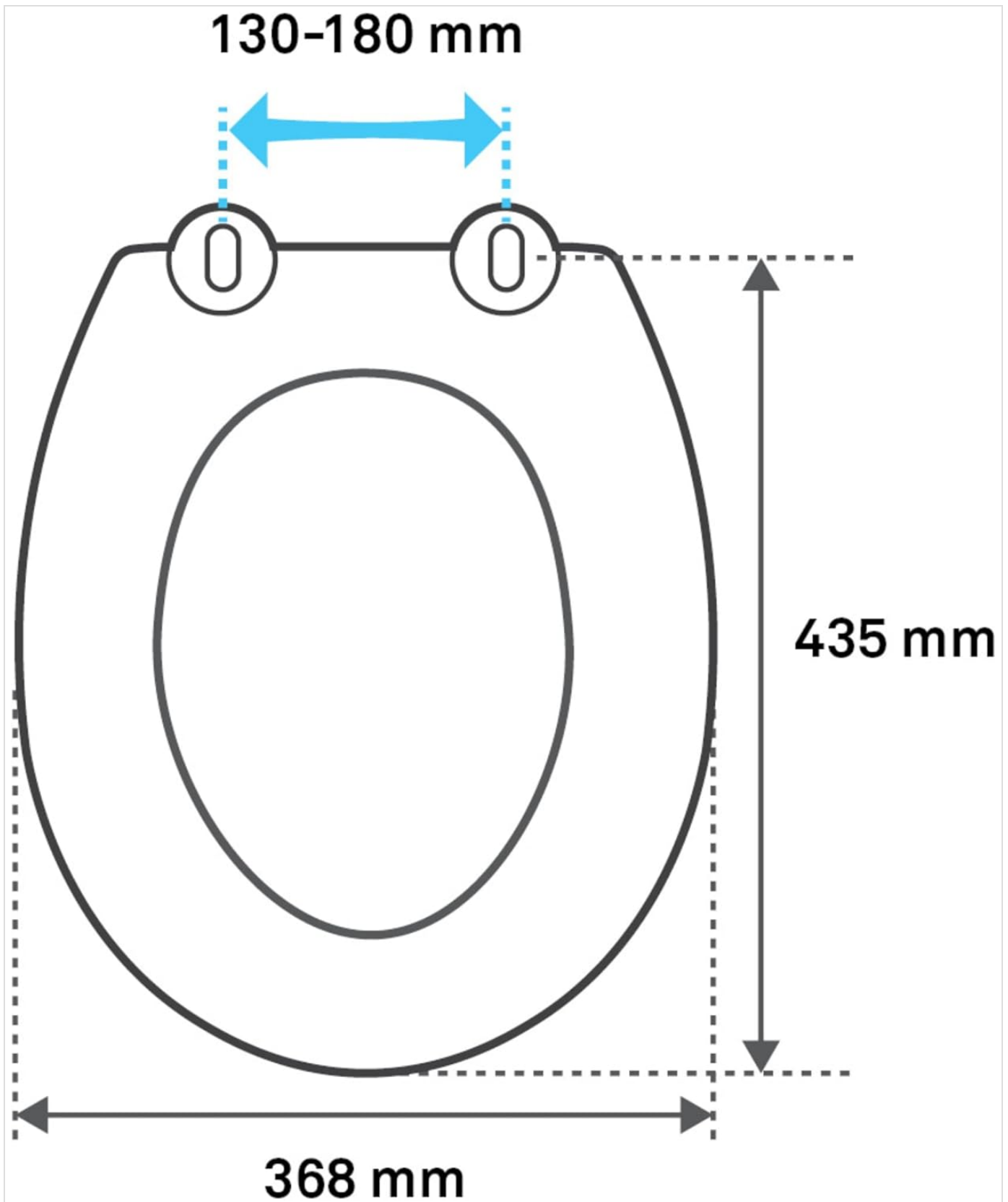


Figure 8.1: Product dimensions and hinge spacing.

9. ENVIRONMENTAL INFORMATION

This SENSEA toilet seat is certified with the FSC (Forest Stewardship Council) label. This means the wood used in its construction comes from sustainably managed forests that are environmentally sound, socially beneficial, and economically viable.



Figure 9.1: FSC certification and durability indication.

10. WARRANTY AND SUPPORT

SENSEA products are designed for durability and quality. For any questions, technical support, or warranty claims, please contact your retailer or visit the official SENSEA website for customer service information.

For more information about SENSEA products, please visit the [SENSEA Store on Amazon](#).