

[Manuals.plus](#) /

> [Zinus](#) /

> ZINUS Maddon Upholstered Platform Bed Frame - Single, Dark Gray

## Zinus AJ-FPPVGR-12S

# ZINUS Maddon Upholstered Platform Bed Frame - Single, Dark Gray

Model: AJ-FPPVGR-12S

## 1. INTRODUCTION

This manual provides instructions for the assembly, safe use, and maintenance of your ZINUS Maddon Upholstered Platform Bed Frame. Please read these instructions carefully before assembly and retain for future reference.



Image 1.1: ZINUS Maddon Upholstered Platform Bed Frame in Dark Gray, Single size.

## 2. SAFETY INFORMATION

Adhering to these safety guidelines will help prevent injury and damage to the product.

- Always use a mattress with a thickness of 15 cm (6 inches) or more to ensure proper support and product longevity.
- Do not place a futon directly on the bed frame slats. Direct body pressure on the slats without a mattress can cause damage to the frame.
- Avoid jumping on the bed frame. Concentrated weight or impact can lead to structural damage.
- Assembly requires two or more adults. Attempting to assemble alone may result in injury or damage.
- During assembly, ensure sufficient clear space and protect your floor with a mat or similar covering to prevent scratches.
- This product is designed for household furniture use only. Do not use it for purposes other than its original intent, as this may cause unexpected accidents or injuries.

### 3. PACKAGE CONTENTS

---

Before beginning assembly, verify that all parts are present and undamaged. The bed frame is designed for compact shipping, with many components stored within the headboard.

- Bed Frame Body (Upholstered side rails and footboard)
- Headboard
- Wooden Slats
- Assembly Tools (Hex key, wrench)
- Hardware (Bolts, washers, nuts)
- Plastic Feet



Image 3.1: Illustration of bed frame components stored within the headboard for compact shipping.

### 4. ASSEMBLY INSTRUCTIONS

---

Estimated assembly time: 15-30 minutes with 2 adults.

1. **Unpack Components:** Carefully open the packaging. All parts, including tools and hardware, are typically stored inside the zippered compartment of the headboard.
2. **Identify Parts:** Lay out all components and identify them using the included instruction sheet. Note that some screw parts may be pre-attached to the main body; check these before proceeding.
3. **Assemble Frame:** Follow the numbering system (if present on parts) to connect the side rails to the headboard and footboard. Use the provided bolts and tools to secure connections. Do not overtighten bolts until the frame is fully assembled.

- 4. Attach Plastic Feet:** Securely attach the plastic feet to the designated points on the bed frame.
- 5. Install Slats:** Place the wooden slats across the bed frame. Ensure they are evenly spaced and secured according to the instructions. The slats provide ventilation and support for your mattress.
- 6. Final Tightening:** Once all components are in place, go back and securely tighten all bolts.



Image 4.1: Key features for assembly: wooden slats for breathability, plastic feet for stability, and a numbering system for easy setup.

## 5. USAGE GUIDELINES

- Ensure the bed frame is placed on a flat, level surface to prevent wobbling and ensure stability.
- Regularly check all bolts and connections to ensure they remain tight. Retighten as necessary.
- The maximum recommended weight capacity for this single bed frame is 120 kg (264 lbs). Do not exceed this limit.

## 6. MAINTENANCE

To maintain the appearance and longevity of your bed frame:

- Wipe the upholstered surfaces with a dry cloth to remove dust and light debris.
- For spills, blot immediately with a clean, dry cloth. Avoid using harsh chemicals or abrasive cleaners, as these may damage the fabric.
- Keep the bed frame away from direct sunlight and heat sources to prevent fading or material degradation.

## 7. SPECIFICATIONS

Attribute	Detail
Model Number	AJ-FPPVGR-12S
Size	Single
Color	Dark Gray
Style	Vertical Stripe
Materials	Polyester, Wood, Steel
Product Dimensions (L x W x H)	195 cm x 97 cm x 30.5 cm

Product Weight	22.23 kg
Maximum Recommended Weight	120 kg
Under-bed Clearance	16 cm
Assembly Required	Yes
Headboard Material	Fabric (Upholstered)
Features	Slats, No Box Spring Required, Upholstered, Durable
Country of Origin	China

## コンパクトパッケージ

ヘッドボードの内部に付属のパーツをすべて収納し、  
コンパクト状態でお届けいたします。  
ワンボックスで簡単に配送され、設置も素早く、スマートなベッド



Image 7.1: Dimensional specifications for ZINUS Maddon bed frames (Single, Semi-Double, Double).

## 8. WARRANTY & SUPPORT

ZINUS provides a 5-year manufacturer's warranty against product defects. Please retain your proof of purchase for warranty claims.

For further assistance or to report any issues, please contact ZINUS customer support through the retailer where you purchased the product.

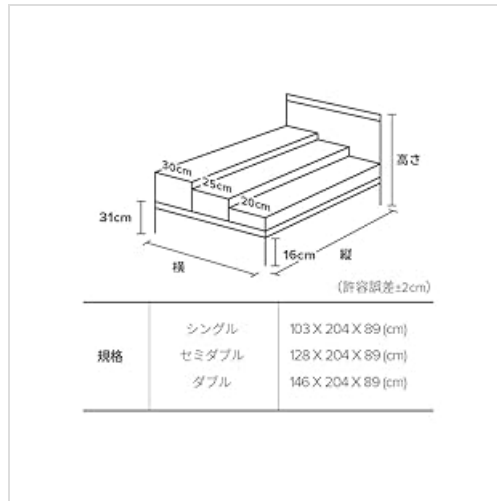


Image 8.1: ZINUS offers a 5-year manufacturer's warranty.