

Manuals+

[Q & A](#) | [Deep Search](#) | [Upload](#)

manuals.plus /

› [Auto-Hak](#) /

› [Auto-Hak Horizontal Detachable Tow Bar with 13-Pin Electrical Kit for Peugeot 2008 \(2013-2019\) - User Manual](#)

Auto-Hak F43A@WH2SG13

Auto-Hak Horizontal Detachable Tow Bar with 13-Pin Electrical Kit

Model: F43A@WH2SG13 | Compatible with: Peugeot 2008 (04.2013-12.2019)

1. INTRODUCTION

This manual provides essential information for the installation, operation, and maintenance of your Auto-Hak horizontal detachable tow bar and universal 13-pin electrical kit. Please read these instructions carefully before installation and use to ensure safe and correct operation. For detailed installation steps, refer to the specific mounting instructions included with the product package.

2. PRODUCT COMPONENTS

The complete package includes the following main components:

- Horizontal Detachable Tow Bar (Model: F43A)
- Universal 13-Pin Electrical Kit (Model: WH2LG13)
- Mounting Hardware
- Specific Mounting Instructions (separate document)
- Homologation Documents

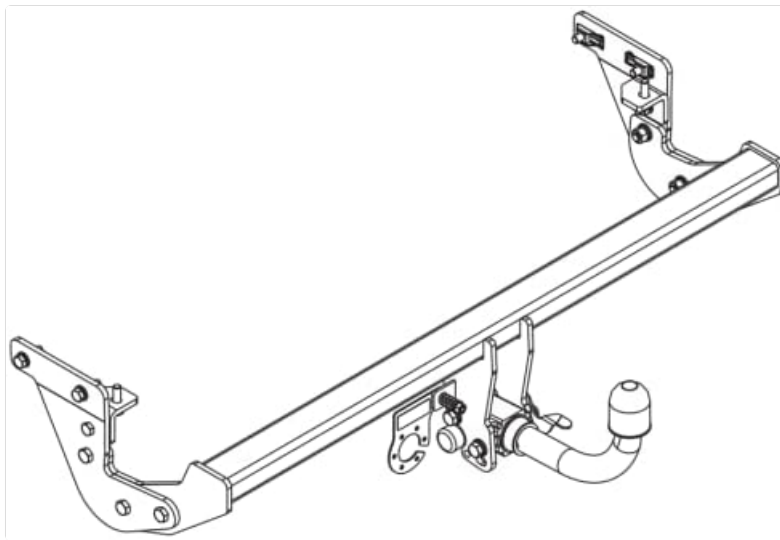


Figure 2.1: Overview of the tow bar structure. This image illustrates the main components of the tow bar assembly, including the main beam, mounting brackets, and the detachable ball mechanism.



Figure 2.2: Components of the universal 13-pin electrical kit. This image displays the various parts of the electrical kit, including wiring harnesses, control unit, 13-pin socket, and connection accessories.

3. SPECIFICATIONS

3.1. Tow Bar Specifications (Model: F43A)

- **Type:** Horizontal Detachable
- **Lockable Ball:** Yes
- **Homologation:** ISO/TS 16949:2009 (Approved for Italy)
- **D-Value:** 7.2 kN
- **Maximum Towing Capacity:** 1300 kg
- **Vertical Load:** 60 kg
- **Bumper Cut Required:** No
- **Weight:** 20.6 kg

3.2. Electrical Kit Specifications (Model: WH2LG13)

- **Type:** Universal
- **Socket:** 13-Pin
- **Control Unit:** Yes
- **Cable Length (Left Side):** 1 m

- **Cable Length (Right Side):** 3 m
- **Power Supply Cable Length:** 5 m
- **Parking Sensor Disconnection:** No
- **Kit Coding Required:** No
- **Caravan Electrical Supply:** Yes
- **Caravan Battery Charging:** No
- **Compatibility (LED Lights):** Full compatibility with LED lights in car and trailer
- **Compatibility (CAN-BUS):** Full compatibility with CAN-BUS vehicles



Figure 3.1: The 13-pin electrical socket. This image shows the internal pin configuration of the 13-pin socket, designed for comprehensive trailer electrical connections.

4. INSTALLATION OVERVIEW

Installation of the tow bar and electrical kit requires mechanical and electrical expertise. It is highly recommended that installation be performed by a qualified professional. Refer to the detailed mounting instructions provided separately with your product for specific steps and diagrams.

4.1. General Installation Steps:

1. **Preparation:** Ensure the vehicle is safely supported and the battery is disconnected. Remove any necessary vehicle components (e.g., bumper, trim) as indicated in the specific instructions.
2. **Tow Bar Mounting:** Attach the tow bar frame to the vehicle's chassis using the provided hardware. Ensure all bolts are tightened to the specified torque settings.
3. **Electrical Kit Installation:** Route the wiring harness according to the vehicle's layout. Connect the control unit and the 13-pin socket. Ensure all electrical connections are secure and properly insulated.
4. **Testing:** After installation, test all electrical functions (lights, indicators, brake lights) with a suitable trailer or test unit.
5. **Reassembly:** Reinstall any removed vehicle components.

Important Note: The product description states that **no bumper cut is required** for this specific tow bar. Always follow the detailed instructions provided with the product for accurate installation procedures.

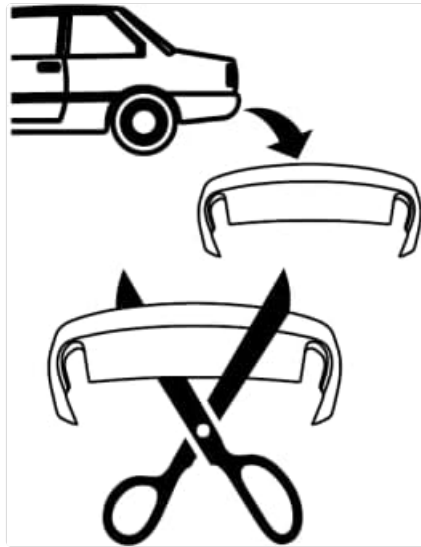


Figure 4.1: Illustrative diagram of bumper modification. While this specific tow bar states no bumper cut is required, some installations may involve temporary bumper removal or minor modifications. Always consult the specific installation manual for your vehicle and tow bar model.

5. OPERATING INSTRUCTIONS

5.1. Attaching the Detachable Ball:

1. Ensure the tow bar receiver is clean and free of debris.
2. Insert the detachable tow ball into the receiver until it locks securely into place.
3. Verify the locking mechanism is engaged and the ball is firmly seated. A visual indicator (if present) should confirm correct engagement.
4. Insert the safety key and lock the mechanism to prevent accidental detachment.

5.2. Connecting the Electrical Kit:

1. Connect the 13-pin plug from your trailer or caravan to the vehicle's 13-pin socket.
2. Ensure a firm and secure connection.
3. Verify all trailer lights (indicators, brake lights, tail lights) are functioning correctly before driving.

Electrical Kit Features:

- **CAN-BUS Compatibility:** The electrical kit is fully compatible with modern CAN-BUS vehicle systems, preventing error messages.
- **LED Light Compatibility:** It supports both standard and LED lighting systems on your vehicle and trailer.
- **Caravan Power Supply:** Provides electrical power to the caravan for internal functions (e.g., refrigerator, interior lights) when connected. Note that it does not provide battery charging for the caravan.

6. MAINTENANCE

- **Regular Inspection:** Periodically inspect the tow bar for any signs of damage, corrosion, or loose fasteners.
- **Lubrication:** Keep the detachable mechanism clean and lightly lubricated to ensure smooth operation.
- **Electrical Connections:** Check the electrical socket for dirt, corrosion, or damage. Clean with a

suitable electrical contact cleaner if necessary.

- **Storage:** When the detachable tow ball is not in use, it is recommended to remove it and store it in a clean, dry place to protect it from weather and theft.

7. TROUBLESHOOTING

- **Trailer Lights Not Working:**

- Check the connection between the trailer plug and the vehicle socket.
- Inspect trailer light bulbs and wiring.
- Verify vehicle fuses related to trailer lighting.
- Ensure the electrical kit's control unit is properly connected and receiving power.

- **Difficulty Attaching/Detaching Tow Ball:**

- Ensure the mechanism is clean and free of dirt or rust.
- Apply a small amount of lubricant to moving parts.
- Refer to the specific tow bar instructions for proper engagement/disengagement procedures.

- **Vehicle Error Messages:**

- Although the kit is CAN-BUS compatible, ensure all connections are correct.
- If errors persist, consult a qualified auto electrician.

8. WARRANTY AND SUPPORT

Both the Auto-Hak tow bar (Model: F43A) and the Quasar electrical kit (Model: WH2LG13) come with **2-year warranty** from the date of purchase. This warranty covers manufacturing defects under normal use. For technical support, warranty claims, or further assistance, please contact your retailer or the manufacturer directly. Ensure you have your purchase receipt and product model numbers available.

Manufacturer: Auto-Hak

Electrical Kit Manufacturer: Quasar