

[Manuals.plus](#) /

> [SHA CERLIN](#) /

> SHA CERLIN King Velvet Upholstered Platform Bed Frame Instruction Manual - Model XXKK003

SHA CERLIN XXKK003

SHA CERLIN King Velvet Upholstered Platform Bed Frame

INSTRUCTION MANUAL - MODEL XXKK003

Introduction

This manual provides detailed instructions for the assembly, operation, and maintenance of your SHA CERLIN King Velvet Upholstered Platform Bed Frame, Model XXKK003. Please read all instructions carefully before beginning assembly and retain this manual for future reference.



Image: The SHA CERLIN King Velvet Upholstered Platform Bed Frame, featuring a green velvet headboard and frame, with a mattress and pillows. This image provides a general overview of the assembled product.

The bed frame is designed for use with various mattress types, including spring, memory foam, latex, or hybrid mattresses, and does not require a box spring. The velvet fabric may exhibit color variations under different lighting conditions.

Setup and Assembly

Assembly is required for this bed frame. Please ensure all parts are present before beginning. It is recommended to assemble the bed frame with at least two people.

Headboard Assembly

The headboard consists of three main components: two side posts and one central panel. These pieces must be connected to form the complete headboard structure.

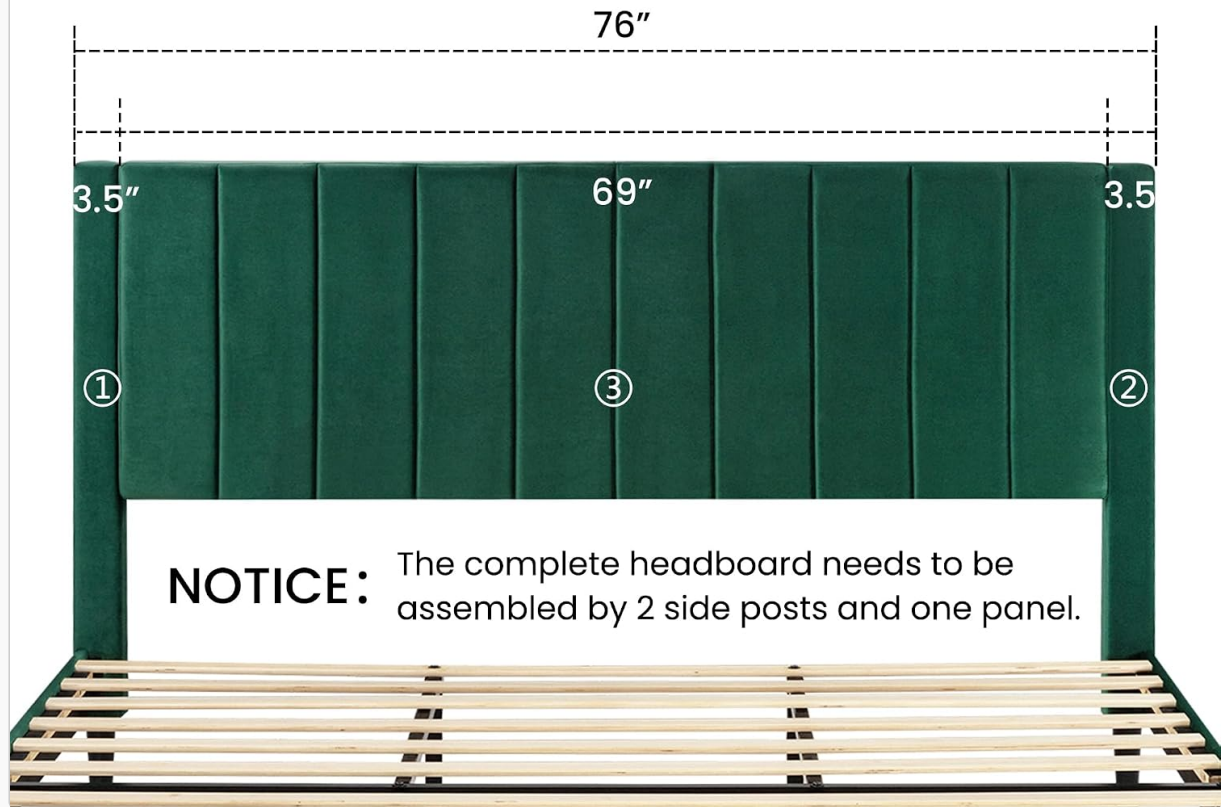
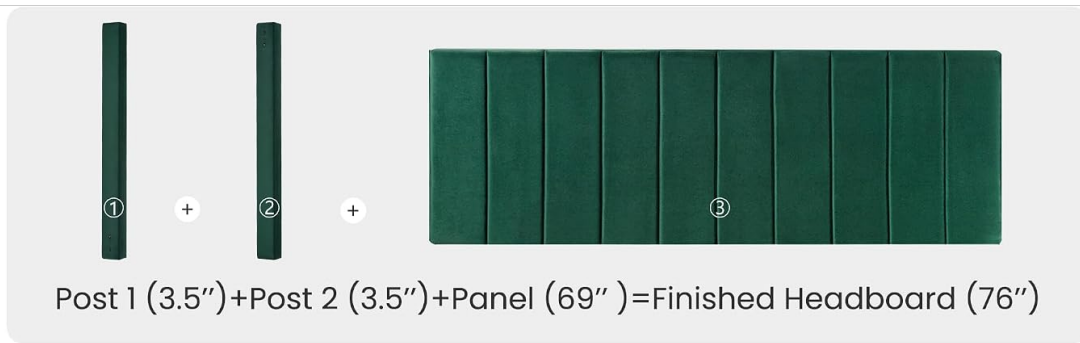


Image: A diagram illustrating the assembly of the headboard. It shows two side posts (labeled 1 and 2) and a central panel (labeled 3) combining to form the full 76-inch wide headboard. Dimensions for each part are provided.

Frame and Slat Installation

The bed frame features a reinforced metal structure and wooden slats for mattress support. The slats are designed with a Velcro system to prevent movement and reduce noise.

VECRO DESIGN



Easy Assembly & Avoid Noise



STURDY WOOD SLATS



No Box Spring Required

Image: A close-up view detailing the Velcro design on the bed frame, which secures the wooden slats in place, and a stack of sturdy wooden slats. This design aims for easy assembly and noise reduction.

The platform slats are removable, allowing for the use of an adjustable base with the frame if desired.

Removable Platform Slats

You can use an adjustable base with the frame.



Image: The SHA CERLIN bed frame shown with an adjustable mattress base inserted, demonstrating the compatibility of the frame with such bases due to its removable platform slats.

Operating Instructions

This bed frame is designed to support various mattress types directly, eliminating the need for a box spring. Simply place your mattress directly onto the wooden slats.

Mattress Compatibility

The frame is compatible with spring, memory foam, latex, or hybrid mattresses. Ensure your mattress dimensions match the King size of the bed frame (approximately 80"L x 75"W).

Headboard Functionality

The upholstered headboard provides an extra-wide backrest for comfort, allowing you to relax your head and shoulders when leaning back.



EXTRA WIDE BACKREST

Relax your head and shoulders
Lean back against the spacious backrest

Image: A side view of the SHA CERLIN bed frame highlighting the extra-wide, padded headboard, designed to provide comfortable back support.

Maintenance

To maintain the appearance and longevity of your bed frame, follow these care instructions:

- **Cleaning:** Wipe the frame with a dry cloth. Avoid using harsh chemicals or abrasive cleaners, which can damage the velvet upholstery or frame finish.
- **Velvet Care:** The velvet fabric is skin-friendly and has a soft texture. To maintain its plush feel, gently brush or vacuum the surface periodically to remove dust and prevent matting.
- **Structural Integrity:** Periodically check all bolts and connections to ensure they are tight. Re-tighten if necessary to maintain stability.

Troubleshooting

- **Squeaking Noises:** If the bed frame develops squeaking noises, first ensure all assembly bolts are securely tightened. The integrated EVA mute bar and Velcro design for the slats are intended to prevent friction and noise. Verify that the slats are properly seated and the Velcro strips are engaged.
- **Instability:** If the frame feels unstable, re-check all connections and ensure they are fully tightened.

Confirm that the bed frame is placed on a flat, even surface.

- **Color Variation:** The velvet fabric's color may appear different under various lighting conditions (bright, normal, dim light). This is a characteristic of velvet material and not a defect.

LIGHT SOURCES AND COLOR

- Bright Light
- Normal Light
- Dim Light



Image: A graphic illustrating how the green velvet color of the bed frame can appear different (lighter, normal, darker) depending on the intensity of the light source.

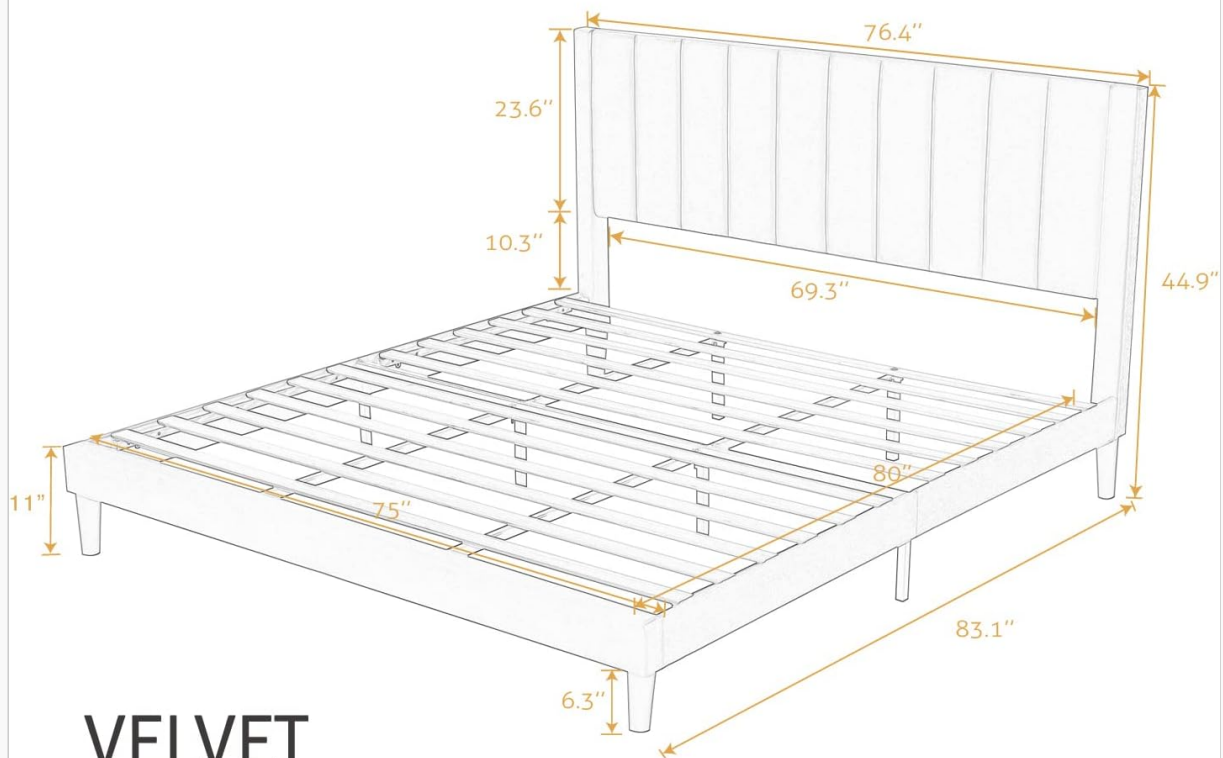
Specifications

Feature	Detail
Brand	SHA CERLIN
Model Number	XXKK003
Size	King
Color	Green
Product Dimensions	83.1"L x 76.4"W x 44.9"H
Mattress Size Compatibility	80"L x 75"W
Material	Velvet, Metal, Wood

Weight Capacity	800 lbs.
Box Spring Needed	No
Assembly Required	Yes
Included Components	Headboard, Bed Frame, Slats (Mattress not included)
Item Weight	79.3 Pounds
UPC	749655413666

KING SIZE

Weight Capacity 1000LBS



VELVET BEDFRAME LUXURY FOR STYLE LIFE

Image: A detailed diagram showing the dimensions of the SHA CERLIN King Bed Frame, including height, width, and length measurements for the headboard and frame components.

Warranty Information

Specific manufacturer warranty details are not provided in this manual. For information regarding potential extended protection plans or warranty coverage, please refer to your purchase documentation or contact the seller directly.

Customer Support

For any questions, concerns, or assistance with your SHA CERLIN King Velvet Upholstered Platform Bed

Frame, please contact the seller, SHACERLIN, through the platform where the purchase was made.
Please have your model number (XXKK003) and purchase details ready when contacting support.