



[Manuals.plus](#) /

> [wikiwiki](#) /

> wikiwiki Large Base 4-Pc 430 Lbs Cantilever Hanging Patio Umbrella Base User Manual

wikiwiki wikiwiki

wikiwiki Large Base Cantilever Patio Umbrella Base User Manual

Model: wikiwiki

1. INTRODUCTION

This manual provides detailed instructions for the assembly, operation, and maintenance of your wikiwiki Large Base Cantilever Patio Umbrella Base. Please read this manual thoroughly before use to ensure proper function and longevity of the product.

2. PRODUCT FEATURES

- **Innovative Design:** Specifically designed for offset cantilever umbrellas, enhancing wind resistance and stability.
- **Durable Materials:** Constructed from sturdy, waterproof HDPE material to prevent cracking and ensure long-term durability.
- **Easy Filling:** Features four individual plates, each with its own fill port and cap for easy water or sand replenishment and emptying.
- **Significant Weight Capacity:** Each plate can hold approximately 107 pounds, providing a total weight of up to 430 pounds when filled with wet sand.



THREE KINDS OF FILLERS



240 LBS
WATER



430 LBS
WET SAND



360 LBS
SAND



Image: The four-piece design of the wikiwiki umbrella base, showing how the individual plates connect to form a stable foundation.



430 LBS LARGE BASE

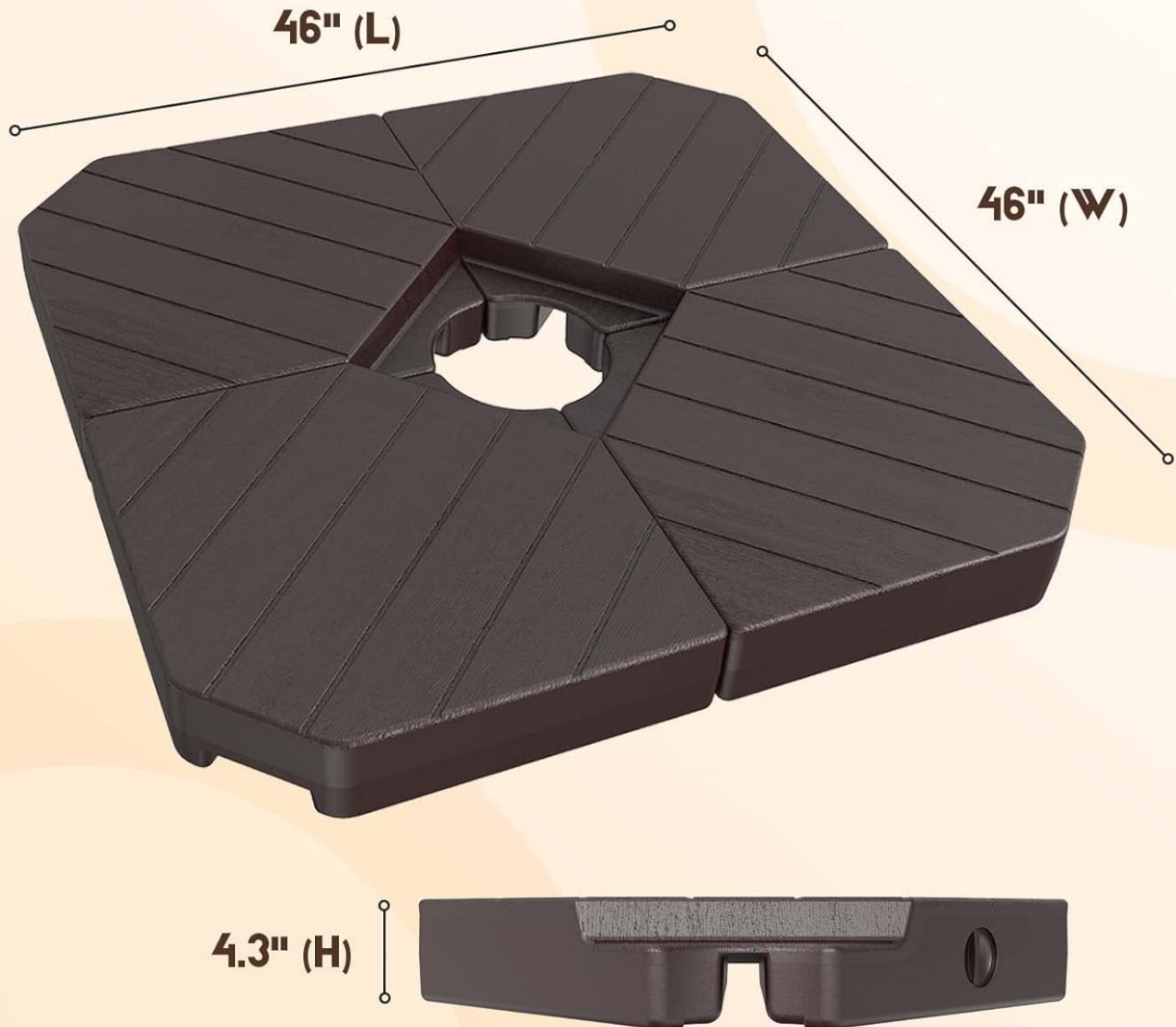


Image: This diagram illustrates the different filler options and their approximate weight capacities: 240 lbs with water, 430 lbs with wet sand, and 360 lbs with dry sand.

3. SPECIFICATIONS

| Attribute | Value |
|-----------------------|---------------------------------------|
| Product Dimensions | 23.5 x 23.5 x 18.4 inches (assembled) |
| Item Weight (empty) | 30.5 pounds |
| Material | High-Density Polyethylene (HDPE) |
| Maximum Filled Weight | Up to 430 lbs (with wet sand) |
| Color | Dark Brown |

Model Number

wikiwiki

4. SETUP AND INSTALLATION

Follow these steps for proper assembly and installation of your umbrella base.

1. **Unpack Components:** Carefully remove all four base plates and any accessories from the packaging. Inspect for any damage.
2. **Position the Base:** Choose a flat, stable surface for your cantilever umbrella. Ensure there is adequate space for the umbrella's full extension.
3. **Fill the Plates:**
 - Locate the fill port on each plate.
 - Unscrew the cap.
 - Fill each plate with your desired weighting material (water, sand, or wet sand). For maximum stability, wet sand is recommended (up to 107 lbs per plate, 430 lbs total).
 - Securely screw the cap back onto each fill port to prevent leaks.
4. **Assemble the Base:** Place each filled plate onto the appropriate crossbar of your cantilever umbrella's existing stand. The plates are designed to interlock around the central pole.
5. **Verify Stability:** Once all plates are in place and filled, ensure the entire base is stable and level before attaching or opening your umbrella.



Image: A visual guide demonstrating the three steps for installation: filling the base, placing plates on the crossbar, and completing the setup.



WIDE COMPATIBILITY

TOP-OF-THE-LINE MATERIAL

The base is made of HDPE material which makes it very sturdy and recyclable

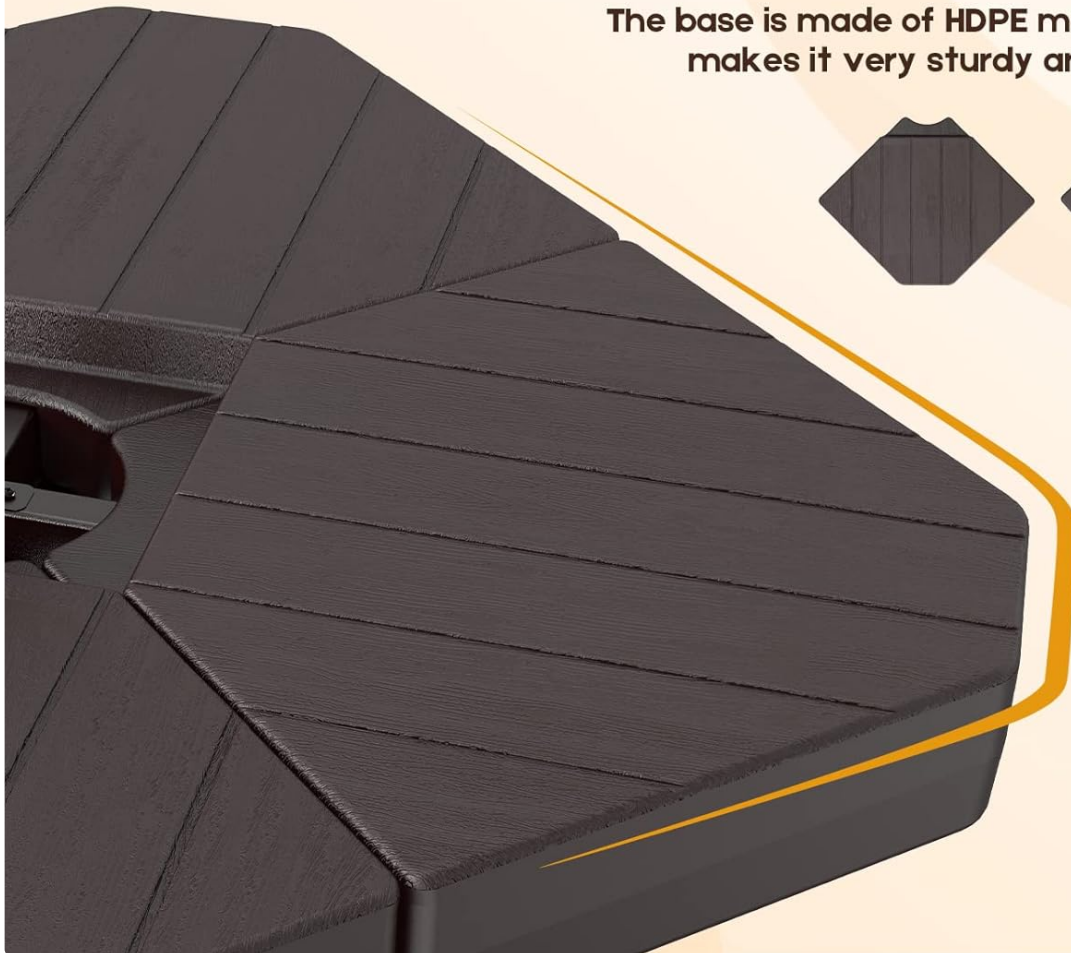


Image: A detailed view of the fill port and its screw cap, highlighting the ease of filling each base plate.

5. OPERATING INSTRUCTIONS

The wikiwiki Large Base is a passive component designed to provide stability. Its operation is directly tied to the cantilever umbrella it supports.

- Ensure the base is fully weighted according to the instructions before opening your cantilever umbrella.
- Always close your umbrella during strong winds or severe weather conditions to prevent damage to both the umbrella and the base.
- Periodically check the fill caps to ensure they remain tightly sealed, preventing leakage of the weighting material.



Image: A cantilever patio umbrella securely anchored by the wikiwiki large base, demonstrating its function in an outdoor setting.

6. MAINTENANCE

Regular maintenance will help prolong the life of your umbrella base.

- **Cleaning:** Clean the base periodically with mild soap and water. Avoid harsh chemicals or abrasive cleaners that could damage the HDPE material.
- **Inspection:** Regularly inspect the base for any signs of cracks, especially around the fill ports. While HDPE is durable, extreme temperature fluctuations can sometimes cause stress.
- **Winter Storage (if applicable):** If storing the base during winter in freezing climates, it is recommended to empty the water from the plates to prevent cracking due to ice expansion. Sand can typically remain.
- **Cap Security:** Ensure all fill caps are tightly secured at all times to prevent loss of weighting material and maintain stability.

7. TROUBLESHOOTING

| Problem | Possible Cause | Solution |
|-------------------------------------|---|--|
| Base feels unstable or tips easily. | Not enough weighting material; caps not sealed; uneven surface. | Ensure all plates are filled to capacity (especially with wet sand for maximum weight). Tighten all fill caps. Move the base to a flat, level surface. |
| Water/sand leaking from the base. | Fill cap not tightened; crack in the base material. | Tighten the fill cap securely. If a crack is present, the plate may need to be replaced. Contact customer support if within warranty. |
| Difficulty filling the base. | Fill port clogged (for sand); air trapped. | For sand, use a funnel or scoop with a narrow spout. For water, ensure the fill port is clear. Allow air to escape while filling. |

8. WARRANTY AND SUPPORT

wikiwiki offers a **1-year guarantee** on this product. If you encounter any issues or have questions regarding your wikiwiki Large Base Cantilever Patio Umbrella Base, please contact wikiwiki customer service directly.

Contact Information: Please refer to the product packaging or the official wikiwiki website for the most current customer service contact details.

Reliability and Trust: wikiwiki's core values are reliability and trust, aiming to provide a world-class experience to every customer.