



[Manuals.plus](#) /

› [GORDEE](#) /

› GORDEE Bathroom Shower Caddy Instruction Manual

## GORDEE G28-2-

# GORDEE Bathroom Shower Caddy Instruction Manual

Model: G28-2-

## PRODUCT OVERVIEW

---

The GORDEE Bathroom Shower Caddy is a wall-mounted corner shelf designed to organize and save space in your bathroom or toilet. Constructed from durable, rust-proof stainless steel with a brushed gold finish, this caddy provides a sturdy and elegant storage solution.



Image: The GORDEE Brushed Gold Corner Shower Caddy, showcasing its design and capacity when installed in a shower corner.



Image: A detailed view of the caddy, emphasizing its robust stainless steel material and elegant brushed gold finish.

### Key Features:

- **Space Organization:** Ideal for storing shampoo, shower gel, facial cleanser, soap, and shavers, helping to declutter your bathroom.
- **High-Class Material:** Made with durable stainless steel, ensuring ultra sturdiness, strength, and resistance to daily scratches, corrosion, and tarnishing.
- **Wall Mounted Design:** Provides a much sturdier solution than adhesive styles, capable of withstanding up to 25kg (55 lbs) of weight.
- **Efficient Drainage:** Features an open grid design that maximizes ventilation and allows water to drip away quickly, keeping contents dry and clean.
- **Elegant Finish:** Premium stainless steel construction with an elegant surface plated finish to enhance your bathroom aesthetic.

### SPECIFICATIONS

Attribute	Detail
Brand	GORDEE
Model Number	G28-2-
Material	Stainless Steel
Color	#Gold (Brushed Gold)
Product Dimensions (D x W x H)	9.05"D x 12"W x 3.14"H (230mm D x 305mm W x 80mm H)
Item Weight	1.41 pounds

Maximum Weight Recommendation	25 Kilograms (approx. 55 lbs)
Shape	Sector (90° Corner)
Special Features	Durable, Rust Resistant

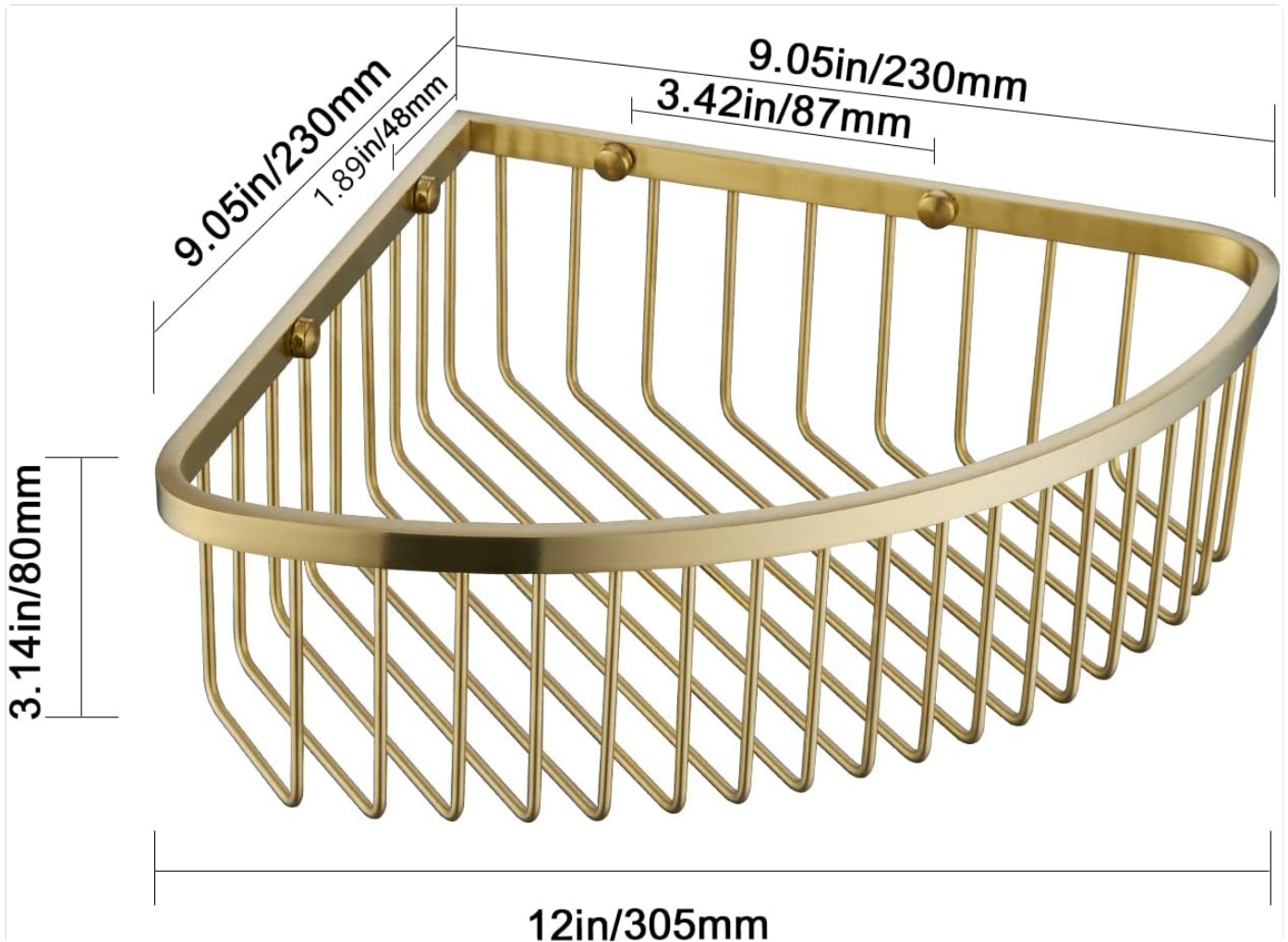


Image: Detailed dimensions of the GORDEE Corner Shower Caddy.

## SETUP AND INSTALLATION

The GORDEE Shower Caddy is designed for secure wall-mounted installation. Please follow these steps carefully for optimal stability and performance.



Image: The shower caddy along with all necessary installation hardware.

## Installation Steps:

### 1. Step 1: Mark Installation Holes

Place the shower caddy in the desired corner on the wall. Use a pencil to accurately mark the positions for the drilling holes through the caddy's mounting points.

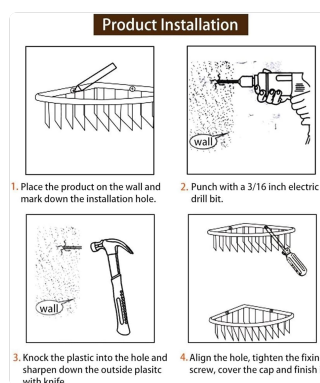


Image: Marking the wall for drilling.

## 2. Step 2: Drill Holes

Using an electric drill, carefully drill holes at the marked positions. A 3/16 inch drill bit is recommended for this process.

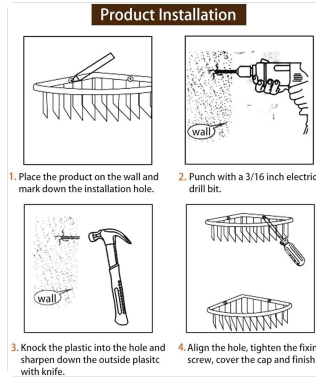


Image: Drilling the marked holes.

## 3. Step 3: Insert Wall Anchors

Gently tap the plastic wall anchors into the drilled holes using a hammer until they are flush with the wall surface. Ensure they are securely seated.

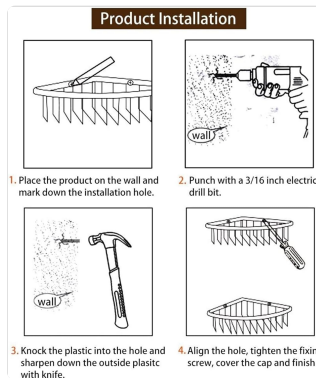


Image: Inserting wall anchors.

## 4. Step 4: Mount the Caddy

Align the caddy's mounting holes with the inserted wall anchors. Insert the provided screws and tighten them firmly with a screwdriver until the caddy is secure against the wall. Finally, place the decorative caps over the screw heads for a clean finish.

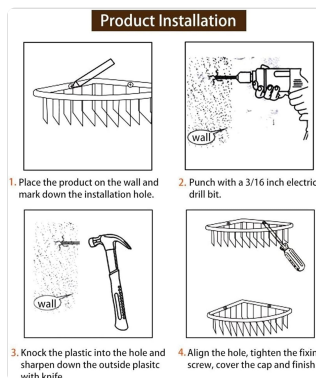


Image: Securing the caddy and applying caps.

Once installed, the caddy is ready for use. Ensure it is firmly attached before placing items on it.

## OPERATING INSTRUCTIONS

The GORDEE Shower Caddy is designed for straightforward use. Simply place your shower essentials such as shampoo bottles, shower gels, soaps, and other toiletries onto the shelf.

- Distribute weight evenly to maintain stability.
- The open grid design allows water to drain naturally, preventing water accumulation and promoting hygiene.
- Avoid placing items that exceed the maximum recommended weight of 25 kg (55 lbs).

## MAINTENANCE

---

To ensure the longevity and appearance of your GORDEE Shower Caddy, regular cleaning and maintenance are recommended.

- **Regular Cleaning:** Wipe down the caddy with a soft cloth and mild soap or a non-abrasive bathroom cleaner.
- **Rinse Thoroughly:** After cleaning, rinse the caddy with clean water to remove any soap residue.
- **Dry Completely:** Dry the caddy completely with a soft, dry cloth to prevent water spots and maintain its brushed gold finish.
- **Avoid Harsh Chemicals:** Do not use abrasive cleaners, scouring pads, or harsh chemicals, as these can damage the finish and material.

## TROUBLESHOOTING

---

If you encounter any issues with your GORDEE Shower Caddy, please refer to the following common solutions:

Problem	Possible Cause	Solution
Caddy feels loose after installation.	Screws not fully tightened or wall anchors not properly seated.	Ensure screws are tightened securely. If still loose, re-evaluate wall anchor installation.
Water pooling on the caddy.	Drainage holes are obstructed or caddy is not level.	Clear any debris from the grid. Verify the caddy is installed level to allow proper drainage.
Surface appears dull or stained.	Soap scum, hard water stains, or improper cleaning.	Clean regularly with mild soap and water. Dry completely after each use. For stubborn stains, use a non-abrasive stainless steel cleaner.

## WARRANTY AND SUPPORT

---

The GORDEE Shower Caddy comes with a **Life-time warranty on quality issues**. This warranty covers defects in material and workmanship under normal use.

For warranty claims, technical support, or any other inquiries, please contact GORDEE customer service through the retailer where the product was purchased or visit the official GORDEE website for contact information.

Please retain your proof of purchase for warranty purposes.