

ikalido B09PQKC2S3

ikalido Metal Loft Bunk Bed Twin Over Full Size Instruction Manual

Model: B09PQKC2S3

1. INTRODUCTION

Thank you for choosing the ikalido Metal Loft Bunk Bed. This manual provides essential information for the safe assembly, use, and maintenance of your new bunk bed. Please read all instructions carefully before assembly and retain this manual for future reference.

Important Safety Information:

- The mattress surface of the upper bed must be at least 5 inches (127 mm) below the top edge of the guardrail.
- This product is designed for children aged 6 and above.
- Always follow the assembly instructions carefully to prevent instability or collapse.
- Ensure all connections are tight before use. Periodically check and re-tighten all bolts.
- Do not allow more than one person on the upper bunk at any time.
- Do not attach or hang items on any part of the bunk bed that are not designed for use with the bed.
- Use only mattresses that are 4-6 inches thick for optimal safety and fit.

2. PRODUCT FEATURES

- **Safety Guardrails:** Full-length guardrails on the upper bunk provide enhanced safety.
- **Sturdy Metal Frame:** Constructed with a durable square metal frame, designed for stability and longevity.
- **Space-Saving Design:** Twin over Full configuration maximizes bedroom space, with 10.6 inches of clearance under the bottom bunk.
- **Removable Ladder:** Features a sturdy ladder that can be positioned on either side for flexible room arrangement.
- **Noise Reduction:** Customized plastic buckles securely fix slats, minimizing noise for an immersive sleep experience.

- **Weight Capacity:** Each bunk can safely support up to 400 lbs.

3. PACKAGE CONTENTS

Before beginning assembly, ensure all parts are present and undamaged. Refer to the parts list provided in your package. If any parts are missing or damaged, do not proceed with assembly and contact customer support.

Video: Unboxing and layout of all metal components and hardware for the ikalido bunk bed.

The package typically includes:

- Metal frame components (headboards, footboards, side rails, support beams)
- Ladder components
- Slats with plastic buckles
- Hardware (bolts, nuts, washers, Allen wrench)
- Anti-toppling device
- Assembly instructions manual

4. ASSEMBLY INSTRUCTIONS

Assembly typically requires two adults and can be completed within one hour with basic tools. Follow the numbered steps in your provided manual. Ensure all bolts are tightened securely but do not overtighten.

Step-by-Step Guide:

1. **Unpack and Organize:** Lay out all components on a clean, soft surface to prevent scratches. Identify each part using the provided parts list.
2. **Assemble Bed Ends:** Attach the horizontal bars to the vertical posts for both the upper and lower bed ends. Ensure the correct orientation for the guardrails on the upper bunk.

Video: Demonstrates the process of screwing together the metal frame pieces during assembly.

3. **Attach Side Rails:** Connect the assembled bed ends with the long side rails. Secure all connections with the provided bolts and Allen wrench.
4. **Install Slats:** Insert the metal slats into the designated slots on the side rails. Use the customized plastic buckles to secure each slat firmly in place. This system helps reduce noise and provides a stable mattress foundation.



Image: Detail of the metal slats and the plastic buckle system designed for noise reduction.

- Assemble and Attach Ladder:** Assemble the ladder according to the instructions. The ladder can be attached to either the left or right side of the bunk bed. Ensure it is securely fastened.

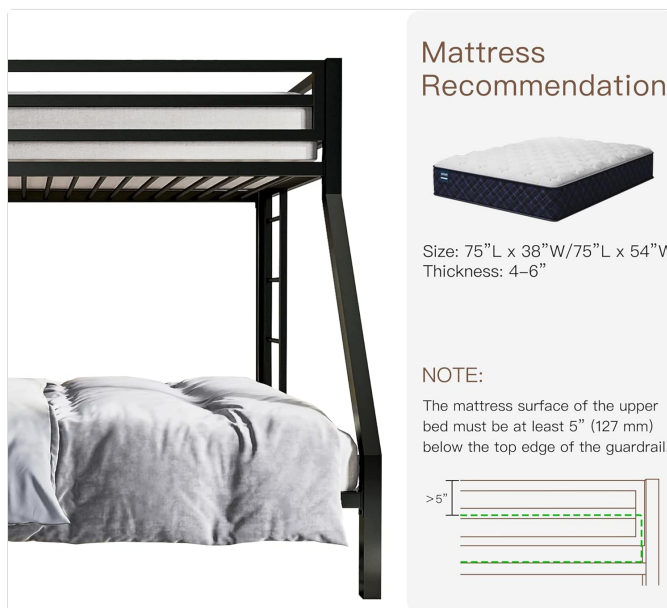


Image: Illustration demonstrating the proper installation of the anti-toppling device for enhanced stability.

- Install Anti-Toppling Device:** For added safety, attach the anti-toppling device to the bunk bed and secure it to a wall stud.

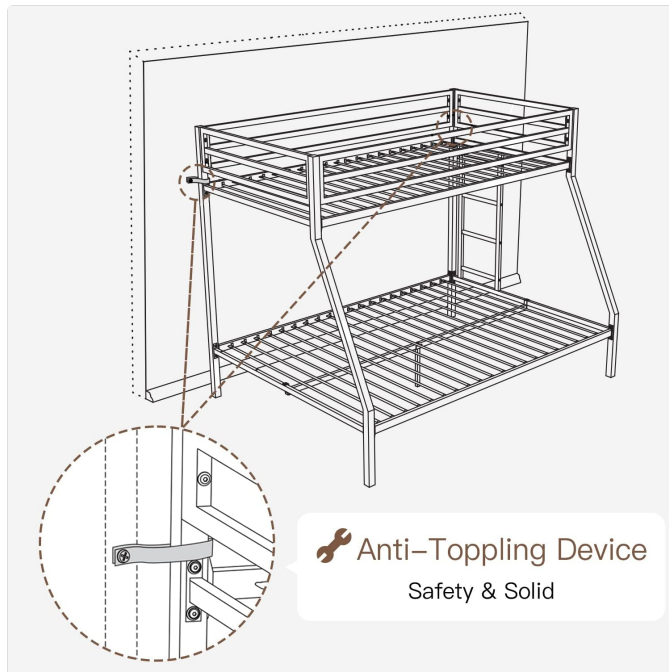


Image: Diagram illustrating the proper installation of the anti-toppling device for enhanced stability.

5. USAGE GUIDELINES

Mattress Recommendation:

For optimal safety and comfort, use mattresses with dimensions of 75"L x 38"W for the Twin bunk and 75"L x 54"W for the Full bunk. The recommended mattress thickness is 4-6 inches.



Image: Diagram showing recommended mattress sizes and the safety requirement for the upper bunk's guardrail.

Weight Limit:

Each bunk is designed to safely support a maximum weight of 400 lbs.

Space Underneath:

The design provides 12.4 inches of clearance under the bottom bunk, offering convenient storage space.



Image: Detailed diagram illustrating the overall product dimensions and the weight capacity for each bunk.

6. MAINTENANCE

- **Cleaning:** Wipe down the metal frame with a soft, damp cloth. Avoid harsh chemicals or abrasive cleaners that could damage the finish.
- **Regular Checks:** Periodically inspect all bolts and connections to ensure they remain tight. Retighten as necessary to maintain stability and safety.
- **Mattress Care:** Follow the manufacturer's instructions for mattress care. Rotate and flip mattresses regularly to prolong their lifespan.

7. TROUBLESHOOTING

- **Squeaking Noises:** If the bed squeaks, check all bolts and connections and tighten them. Ensure slats are properly seated and secured with their plastic buckles.
- **Instability/Wobbling:** Verify that all frame components are correctly assembled and all bolts are fully tightened. Ensure the anti-toppling device is securely installed to a wall stud.
- **Difficulty with Ladder:** Ensure the ladder is correctly hooked onto the upper bunk and rests firmly on the floor. If the rungs are uncomfortable, consider adding padding (not included).

8. SPECIFICATIONS

Feature	Detail
Size	Twin Over Full
Color	Matte Black
Product Dimensions	77.6"L x 56.3"W x 63"H
Brand	ikalido
Included Components	Guardrails, Slats

Finish Type	Painted
Weight Limit	400 Pounds (per bunk)
Item Weight	103.7 Pounds
Assembly Required	Yes
Ground To Item Distance	12.4 Inches
Frame Material	Metal

9. WARRANTY AND SUPPORT

This ikalido bunk bed is sold by ikalido and includes a 90-day easy return policy. For customer support or warranty inquiries, please contact ikalido directly through their official channels or the retailer where the product was purchased.

For additional information and products, visit the [ikalido Store](#).