

## Manuals+

[Q & A](#) | [Deep Search](#) | [Upload](#)

[manuals.plus](#) /

› [NAIERDI](#) /

› [NAIERDI 304 Stainless Steel Keyless Pocket Door Lock Instruction Manual](#)

## NAIERDI B09PNS4PPT

# NAIERDI 304 Stainless Steel Keyless Pocket Door Lock

Model: B09PNS4PPT

## INTRODUCTION

Thank you for choosing the NAIERDI 304 Stainless Steel Keyless Pocket Door Lock. This manual provides essential information for the safe and correct installation, operation, and maintenance of your new door lock. Please read these instructions thoroughly before installation and retain them for future reference.

## SAFETY INFORMATION

- Always wear appropriate safety gear, such as gloves and eye protection, during installation.
- Ensure all tools are used correctly and safely.
- Keep small parts away from children to prevent choking hazards.
- If you are unsure about any step of the installation, consult a qualified professional.

## PACKAGE CONTENTS

Verify that all components are present before beginning installation:

- 2 x Recessed Handles (Front and Back)
- 1 x Latch Mechanism
- 1 x Strike Plate
- 2 x Connecting Bars (Spindles)
- Mounting Screws
- 1 x Dust-proof Cover

# Complete Package

come with free screws and dust-proof cover  
easy installation



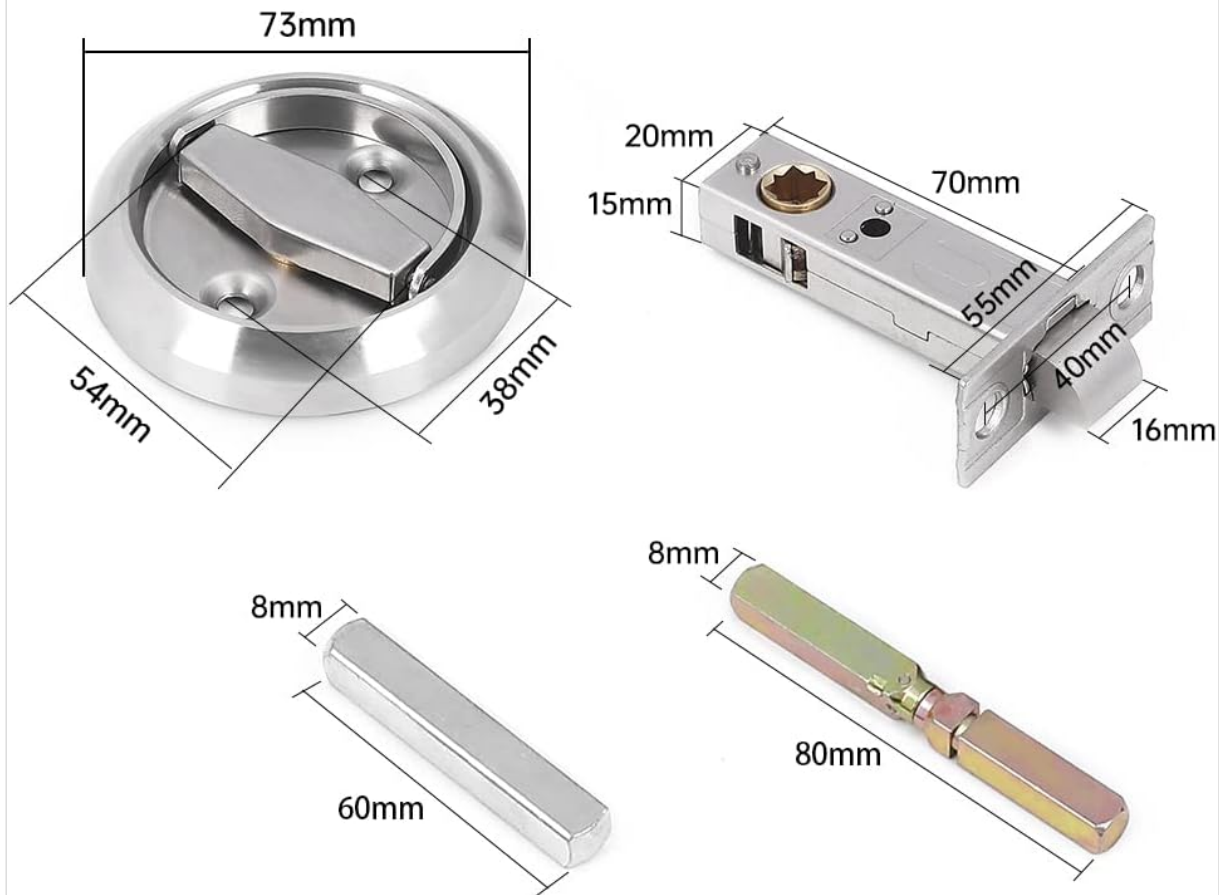
This image displays the complete package contents for the NAIERDI Keyless Pocket Door Lock. It includes the two recessed handles, the latch mechanism, strike plate, connecting bars, screws, and a dust-proof cover, indicating readiness for easy installation.

## SPECIFICATIONS

Feature	Detail
Material	304 Stainless Steel
Color	Brushed Silver
Product Dimensions (Handle)	2.87"L x 2.87"W (73mm diameter)
Fit Door Thickness	35mm - 45mm (1.38 - 1.77 inches)
Lock Type	Keyless Latch Lock
Special Features	Easy to Install, Hidden Recessed Cup Design

# Size Details

Suitable for door thickness 35-65mm



This image provides detailed measurements for the NAIERDI Keyless Pocket Door Lock components. It includes dimensions for the circular handle (73mm diameter, 54mm depth, 38mm handle width), the latch mechanism (70mm length, 55mm height, 16mm width, 20mm and 15mm internal measurements), and the connecting bars (60mm and 80mm lengths, 8mm width).

## INSTALLATION INSTRUCTIONS

This lock is designed for doors with a thickness between 35mm and 45mm. If your door is thinner, the connecting bar may need to be shortened.

- 1. Prepare the Door:** Ensure your door has the necessary cutouts for the recessed handles and the latch mechanism. For doors with existing standard doorknob holes, you may need to insert a round piece of wood to provide a solid surface for the lock's screws.
- 2. Install the Latch Mechanism:** Insert the latch mechanism into the edge of the door. Secure it with the provided screws.
- 3. Assemble Handles and Connecting Bar:** Insert one of the connecting bars (spindles) through the latch mechanism. Align one recessed handle with the connecting bar and secure it to the door using the appropriate screws. The screws are hidden within the handle design for a clean appearance.
- 4. Attach Second Handle:** On the opposite side of the door, align the second recessed handle with the connecting bar and secure it with screws. Ensure both handles are flush with the door surface.
- 5. Install Strike Plate:** Mark the position for the strike plate on the door frame, aligning it with the latch mechanism. Chisel out the necessary recess and secure the strike plate with screws.

6. **Test Operation:** Once installed, test the lock's functionality by pulling out and rotating the handle to engage and disengage the latch.



This image displays the NAIERDI Keyless Pocket Door Lock fully installed on a wooden door. The circular recessed handle is visible on the door face, and the corresponding latch mechanism is engaged in the door frame.

# Best Quality 304 Stainless Steel

brushed nickel surface,  
all-match color, anti-scratched



This image showcases the individual components of the NAIERDI Keyless Pocket Door Lock, emphasizing its construction from 304 stainless steel with a brushed nickel surface. It includes the two handle pieces, the latch mechanism, connecting bars, strike plate, and screws.

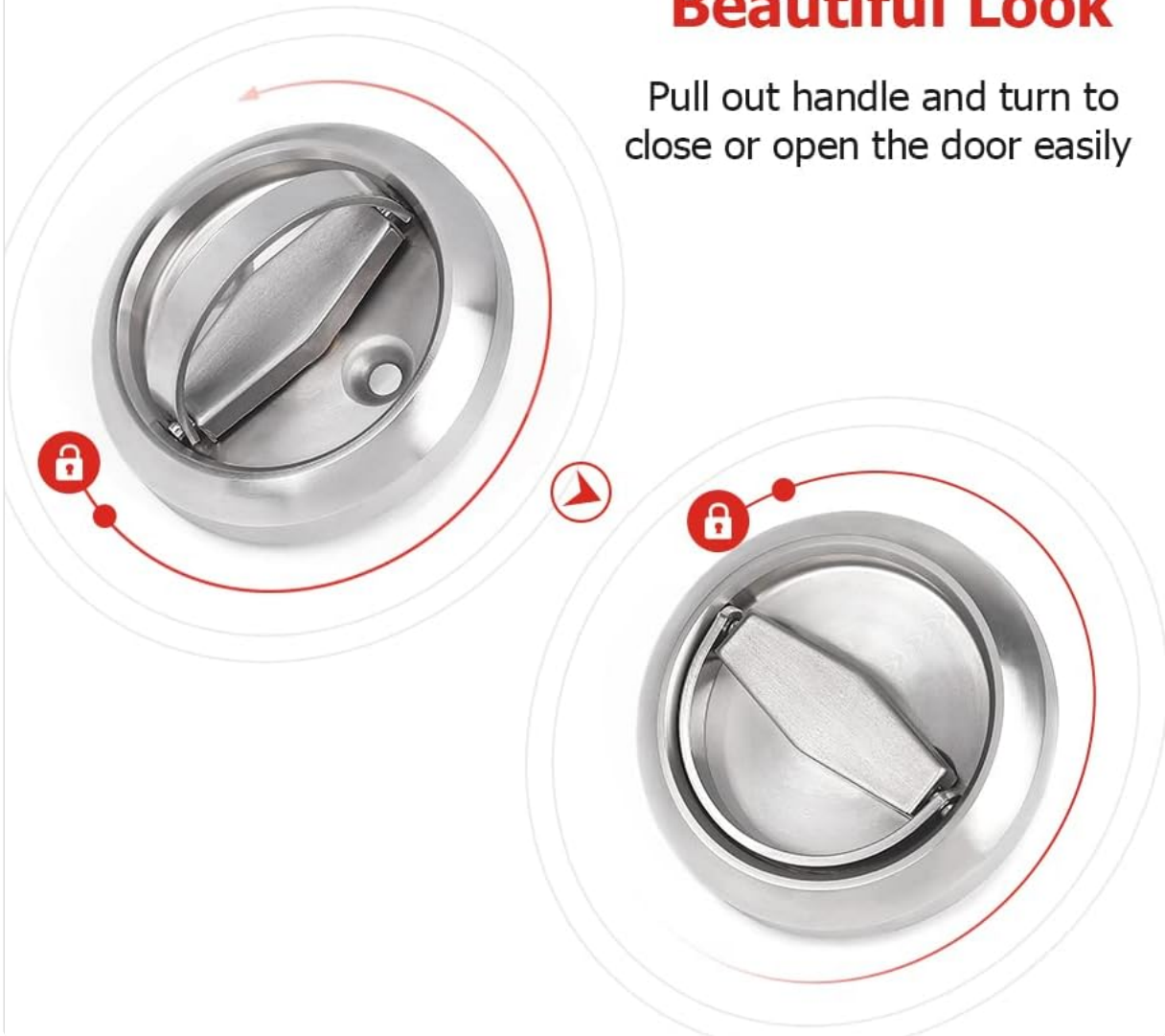
## OPERATING INSTRUCTIONS

The NAIERDI Keyless Pocket Door Lock is designed for simple and intuitive operation:

- **To Lock:** Pull the recessed handle outwards from the door surface. Rotate the handle 90 degrees to engage the latch mechanism. The handle will remain extended, indicating the door is locked.
- **To Unlock:** Rotate the extended handle 90 degrees back to its original position. The handle will retract flush with the door surface, disengaging the latch and unlocking the door.

# Hidden Screw Hole Beautiful Look

Pull out handle and turn to close or open the door easily



This diagram illustrates how to operate the NAIERDI Keyless Pocket Door Lock. It shows the recessed handle in two positions: one where it is pulled out and rotated to lock (indicated by a lock icon), and another where it is flush for unlocking. The text indicates to pull out and turn the handle to close or open the door easily.

## MAINTENANCE

To ensure the longevity and smooth operation of your NAIERDI Pocket Door Lock, follow these maintenance guidelines:

- **Cleaning:** Wipe the lock surfaces with a soft, damp cloth. Avoid abrasive cleaners or harsh chemicals, as these can damage the brushed silver finish.
- **Lubrication:** Periodically apply a small amount of silicone-based lubricant to the moving parts of the latch mechanism to ensure smooth operation. Do not use oil-based lubricants, which can attract dust and grime.
- **Inspection:** Regularly check all screws and connections to ensure they are tight. Tighten any loose screws to prevent wobbling or malfunction.

## TROUBLESHOOTING

Problem	Possible Cause	Solution
---------	----------------	----------

Handle is stiff or difficult to turn.	Lack of lubrication, debris in mechanism.	Apply silicone lubricant to moving parts. Clean any visible debris.
Lock does not engage or disengage properly.	Misalignment of latch and strike plate, loose screws, incorrect installation of connecting bar.	Check alignment of latch and strike plate; adjust if necessary. Tighten all mounting screws. Re-check connecting bar installation.
Handle does not retract flush with the door.	Obstruction, bent connecting bar, internal mechanism issue.	Inspect for any obstructions. Ensure connecting bar is not bent. If problem persists, contact customer support.

## WARRANTY AND SUPPORT

NAIERDI products are manufactured to high-quality standards. For specific warranty information, please refer to the product packaging or contact your retailer. If you encounter any issues or require assistance, please reach out to NAIERDI customer support through your purchase platform or the official brand website.