



[Manuals.plus](#) /

> [ikalido](#) /

> ikalido Metal Loft Bed Twin Size with Safety Guardrail and Ladder, No Box Spring Needed Space Saving Bedroom Furniture, Matte Black Instruction Manual

## ikalido B09PNC8MMJ

# ikalido Metal Loft Bed Twin Size Instruction Manual

Brand: ikalido | Model: B09PNC8MMJ

## 1. INTRODUCTION

---

This manual provides essential information for the safe and proper assembly, operation, and maintenance of your ikalido Metal Loft Bed. Designed to maximize living space, this twin-size loft bed features a sturdy metal frame, safety guardrails, and a ladder, making it an ideal solution for bedrooms with limited space. Please read all instructions carefully before beginning assembly and retain this manual for future reference.



Figure 1: ikalido Metal Loft Bed, Twin Size, Matte Black. This image shows the overall design of the loft bed, highlighting the space available underneath for a desk or other furniture.

## 2. SAFETY INFORMATION

Your safety is our top priority. Adhere to all safety guidelines to prevent injury and ensure the longevity of your loft bed.

- **Guardrail Safety:** The loft bed is equipped with a full-length guardrail on the upper bunk to provide maximum safety.
- **Mattress Requirements:** For your safety, the mattress surface of the upper bed must be at least 5 inches (127 mm) below the top edge of the guardrail when selecting a mattress. Recommended mattress thickness is 4-6 inches.
- **Weight Capacity:** The bed frame has a scientifically calculated weight capacity of 400 lbs. Do not exceed this limit.
- **Anti-Toppling Device:** Utilize the included anti-toppling device to securely fix the bed to the wall, enhancing stability and safety.
- **Assembly:** Ensure all components are correctly assembled and tightened before use. Regularly check and re-tighten all connections.

- **Ladder Use:** Always use the ladder for climbing up and down the bed. Do not jump on or off the bed.



Figure 2: Detail of the robust guardrail and ladder design, emphasizing safety features.



Figure 3: Mattress recommendation diagram, illustrating the required clearance below the guardrail for safe use.

### 3. COMPONENTS LIST

Before assembly, verify that all parts listed below are present and undamaged. If any parts are missing or damaged, please contact customer support.

- Frame components
- Slats
- Installation Hardware (screws, bolts, nuts, etc.)
- Tools (basic assembly tools are included)
- Anti-toppling device

### 4. SETUP AND ASSEMBLY

Assembly of the ikalido Metal Loft Bed is designed to be straightforward. It can typically be assembled by two people

within one hour, even without professional experience. Please follow the included detailed instructions and diagrams provided in your product packaging for step-by-step guidance.

### Key Assembly Steps:

1. Unpack all components and lay them out on a clean, soft surface to prevent scratches.
2. Identify and sort all hardware according to the provided list.
3. Assemble the main frame components, ensuring all connections are finger-tight initially.
4. Attach the ladder to the desired side of the bed frame. The ladder is removable for flexibility.
5. Install the bed slats. The customized plastic buckles securely fix the slats firmly in place, contributing to a noiseless sleep experience.
6. Once the main structure is complete, securely tighten all bolts and screws using the provided tools.
7. Install the anti-toppling device by attaching it to the bed frame and securing it to a wall stud. This is crucial for stability.



Figure 4: Illustration of the anti-toppling device installation, crucial for securing the bed to the wall.

Your browser does not support the video tag.

Video 1: Official ikalido video demonstrating the features and assembly process of the Twin Size Metal Loft Bed. This video provides a visual guide to the product's design and functionality.

## 5. OPERATING INSTRUCTIONS (USAGE)

---

The ikalido Metal Loft Bed is designed to maximize your living space and provide a comfortable sleeping environment.

- **Space Utilization:** The generous space underneath the twin bed is perfect for placing a TV, luggage, desks, chairs, or other items, allowing you to optimize your room layout.
- **Leisure and Study Area:** Create a dedicated study or leisure zone beneath the bed, making the most of limited space.
- **Ladder Flexibility:** The sturdy ladder can be positioned as needed, offering flexibility in room arrangement.
- **Noise-Free Sleep:** The bed is designed with customized plastic buckles that securely fix the slats, ensuring a noiseless and immersive sleep experience.



Figure 5: The loft bed configured with a desk and computer setup underneath, showcasing its space-saving capabilities.

Your browser does not support the video tag.

Video 2: Official ikalido video highlighting the safety guardrail and overall structure of the Metal Loft Bed, Twin Size.

## 6. MAINTENANCE

Proper maintenance will extend the life and appearance of your ikalido Metal Loft Bed.

- **Cleaning:** Wipe down the metal frame with a soft, damp cloth. Avoid abrasive cleaners or harsh chemicals that could damage the finish.
- **Connection Checks:** Periodically inspect all bolts, screws, and connections to ensure they remain tight. Re-tighten as necessary to maintain stability and prevent squeaking.
- **Slat Integrity:** Ensure the bed slats are properly seated in their plastic buckles to maintain the noiseless feature and mattress support.

# ENJOY IMMERSIVE SLEEP



RUDUCE NOISE



ANTI-SHAKING



Figure 6: Detail of the customized plastic buckles designed to reduce noise and securely hold the bed slats.

## 7. TROUBLESHOOTING

If you encounter any issues with your ikalido Metal Loft Bed, refer to the common problems and solutions below:

Problem	Possible Cause	Solution
<b>Squeaking Noises</b>	Loose connections; slats not properly seated.	Check and re-tighten all bolts and screws. Ensure all bed slats are fully engaged in their plastic buckles.
<b>Bed Wobbles</b>	Loose assembly; anti-toppling device not installed or improperly secured.	Verify all connections are tight. Ensure the anti-toppling device is correctly installed and anchored to a wall stud.
<b>Ladder is Uncomfortable</b>	Metal rungs may be hard on bare feet.	Consider adding padding or foam to the ladder rungs for increased comfort.

## 8. SPECIFICATIONS

---

Detailed specifications for the ikalido Metal Loft Bed:

Feature	Detail
Brand	ikalido
Model Number	B09PNC8MMJ
Size	Twin Loft
Product Dimensions	77.6"L x 41.3"W x 71.9"H
Color	Matte Black
Finish Type	Lacquered
Special Feature	Squeak Resistant
Included Components	Slat, Frame, Installation Hardware
Compatible With Mattress Size	Twin
Assembly Required	Yes
Ground To Item Distance	58.7 Inches
Item Weight	79.4 pounds
Country of Origin	China

# PRODUCT SIZE

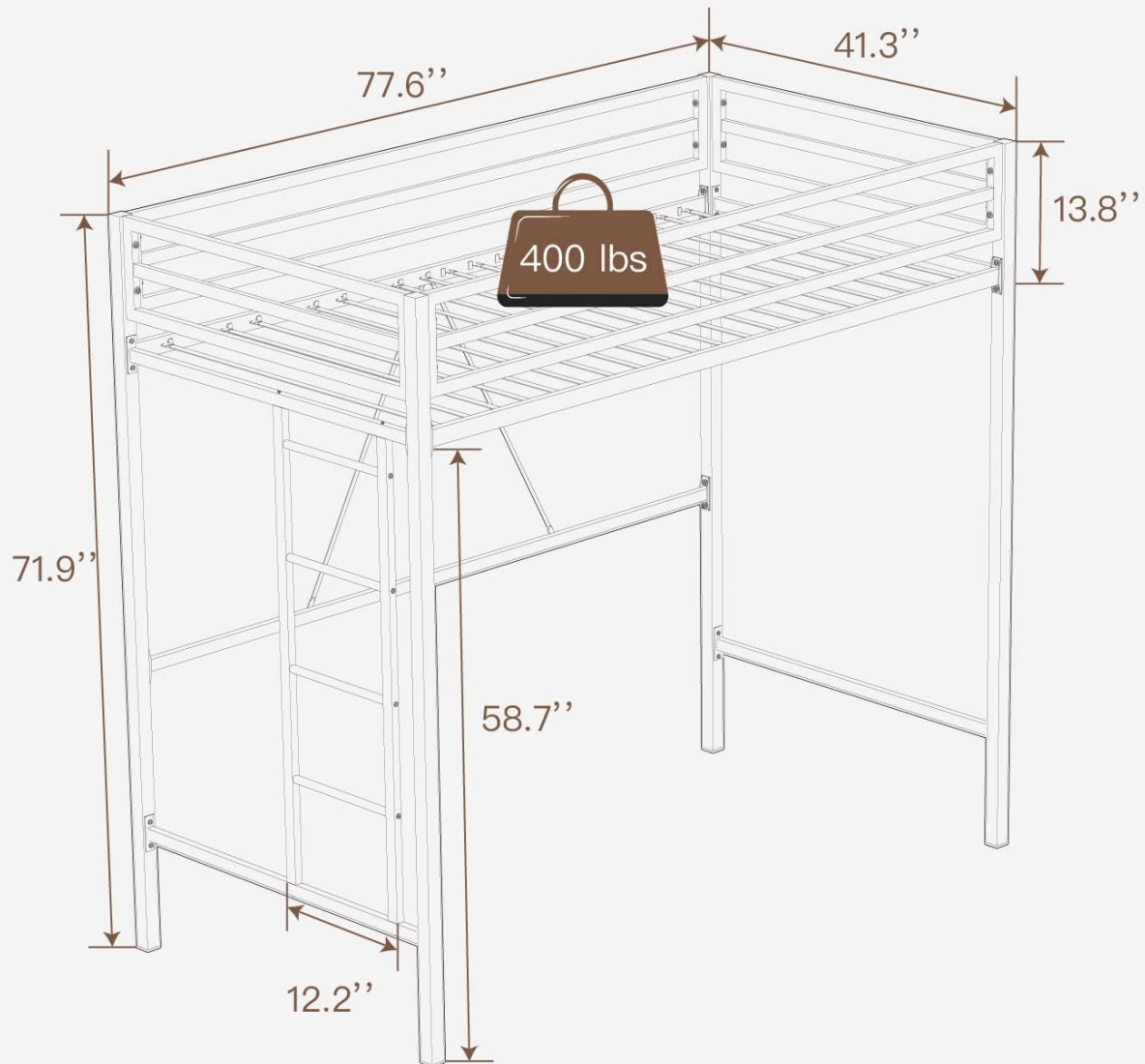


Figure 7: Detailed product dimensions, including length, width, height, and under-bed clearance.

## 9. ADDITIONAL RESOURCES

For further visual guidance and product overview, please refer to the following official videos:

Your browser does not support the video tag.

Video 3: "Ikalido Twin Size Metal Loft Bed" - A comprehensive overview of the bed's features and benefits from the manufacturer.

Your browser does not support the video tag.

Video 4: "Ikalido Metal Loft Bed Twin Size Safety Guardrail" - Focuses on the safety features, including the guardrail and sturdy construction.

Your browser does not support the video tag.

Video 5: "Ikalido Aqua Green Loft Bed Twin Size" - Showcases the loft bed in Aqua Green, demonstrating its design and features across color variants.

\_\_\_\_\_

© 2024 ikalido. All rights reserved.

For customer support, please refer to your product packaging or retailer's website.