

Maclean MC-898

Maclean MC-898 Professional Microphone Boom Arm

Model: MC-898

1. INTRODUCTION

Thank you for choosing the Maclean MC-898 Professional Microphone Boom Arm. This manual provides essential information for the safe and efficient installation, operation, and maintenance of your new microphone stand. Please read this manual thoroughly before use and retain it for future reference. The Maclean MC-898 is designed for professional audio applications, offering high stability, a robust construction, and integrated cable management. Its adjustable design allows for precise microphone positioning, making it ideal for studios, podcasts, streaming, and voice-overs.

2. SAFETY INSTRUCTIONS

- Ensure the desk clamp is securely fastened to a stable surface before attaching the boom arm.
- Do not exceed the maximum recommended microphone weight of 1 kg.
- Avoid over-tightening adjustment knobs, as this may damage the mechanism.
- Keep fingers clear of moving parts during adjustment to prevent pinching.
- Do not attempt to modify the product. Any modifications may void the warranty and pose safety risks.
- Keep the product away from children to prevent accidents.

3. PACKAGE CONTENTS

Please check that all components are present and in good condition:

- Microphone Boom Arm

- Desk Clamp
- Integrated Cable Management System (clips)
- 3/8" to 5/8" Microphone Thread Adapter

4. SETUP AND INSTALLATION

4.1 Attaching the Desk Clamp

1. Choose a sturdy desk or table surface with a thickness between 10mm and 60mm.
2. Place the desk clamp onto the edge of the chosen surface.
3. Tighten the screw mechanism on the clamp until it is firmly secured to the desk. Ensure it does not wobble.





Image: The desk clamp component and the base of the boom arm, ready for assembly. The clamp secures to a desk edge, and the arm slides into the clamp's receiver.

4.2 Mounting the Boom Arm

1. Insert the base pin of the microphone boom arm into the hole on the top of the securely fastened desk clamp.
2. Ensure the arm is fully seated and can rotate freely within the clamp.

4.3 Attaching the Microphone

1. Identify the thread size of your microphone or shock mount. The boom arm features a 5/8" thread.
2. If your microphone requires a 3/8" thread, use the included 3/8" to 5/8" adapter by screwing it onto the boom arm's thread first, then attach your microphone or shock mount.
3. Carefully screw your microphone or shock mount onto the boom arm's thread until it is secure. Do not overtighten.



Image: A close-up view of the microphone attachment point on the boom arm, showing the threaded connector for securing a microphone or shock mount.



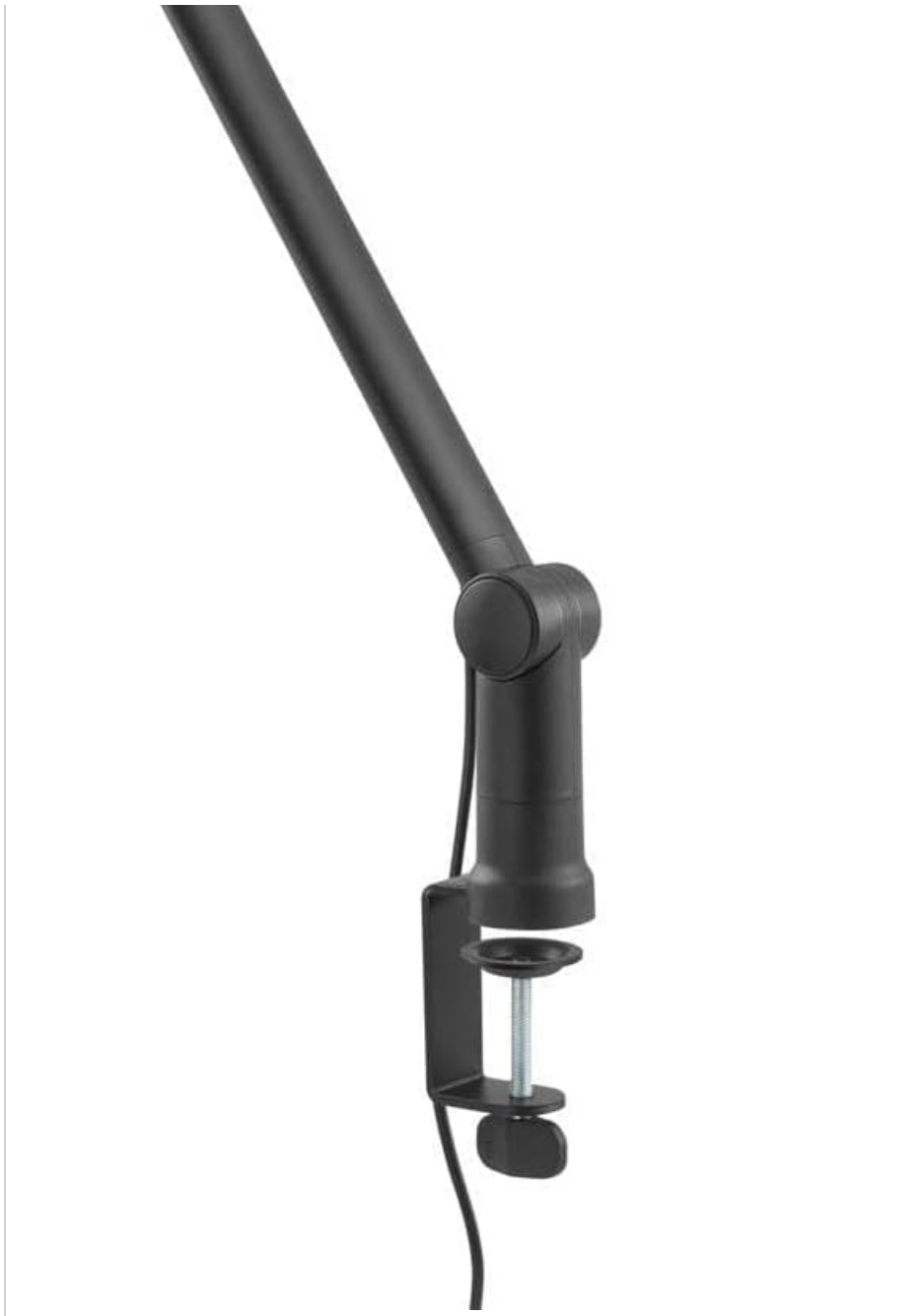


Image: A detailed view illustrating the 3/8 inch and 5/8 inch microphone thread adapters, demonstrating how they connect to the boom arm for compatibility with various microphones.

4.4 Cable Management

1. Route your microphone cable along the boom arm.
2. Utilize the integrated cable management clips to secure the cable neatly along the arm, preventing tangles and ensuring a clean setup.

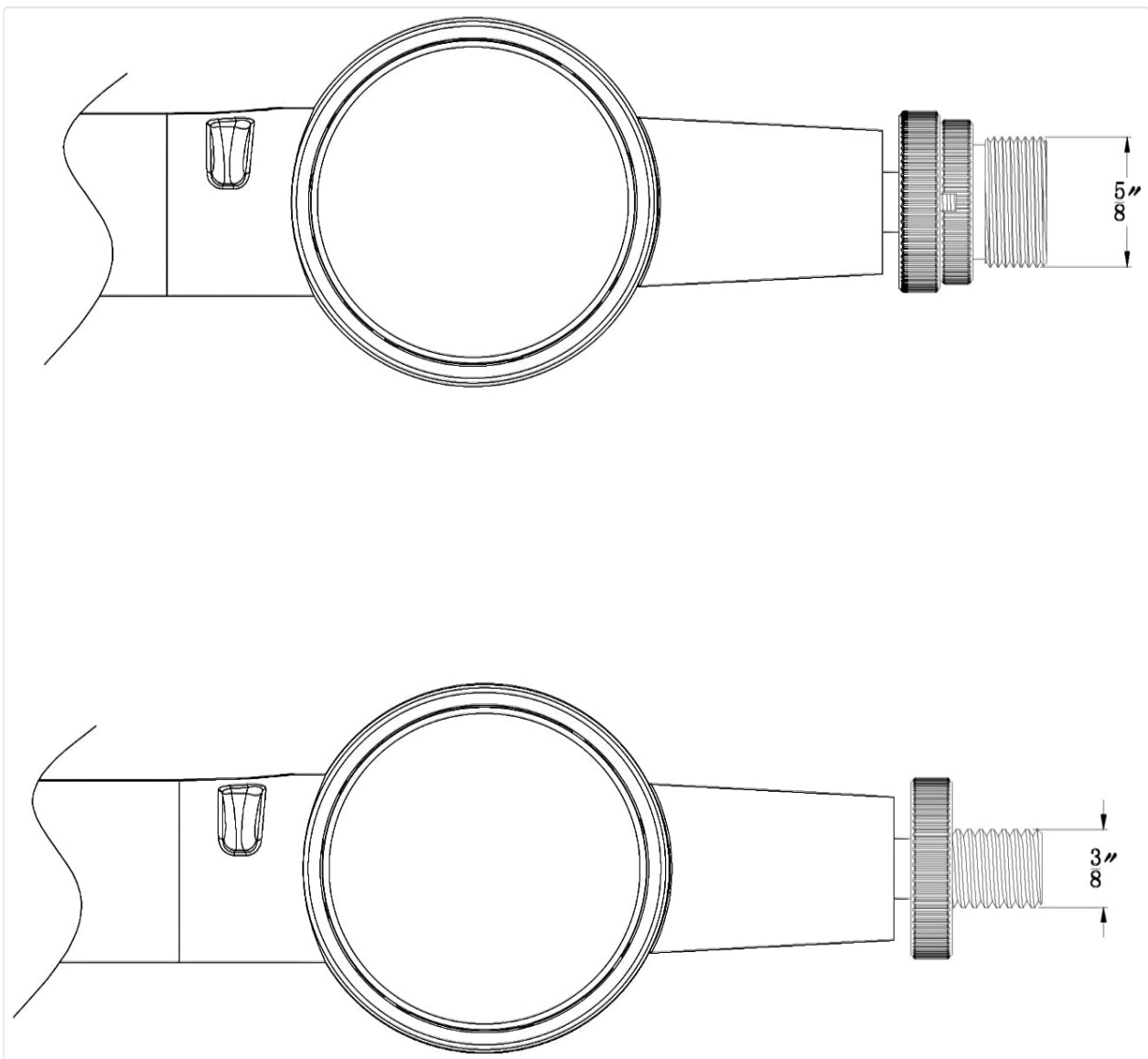


Image: A close-up of the boom arm showing the integrated cable management clips, designed to hold microphone cables securely along the arm for a tidy setup.

5. OPERATING INSTRUCTIONS

5.1 Adjusting the Arm Position

The Maclean MC-898 features multiple adjustable joints for flexible positioning:

- **Rotation:** The arm can rotate 360 degrees at its base connection to the desk clamp.
- **Angle Adjustment:** The joints along the arm allow for tilting and angling. Loosen the adjustment knobs at each joint, position the arm as desired, and then tighten the knobs to secure it.
- **Height Adjustment:** The arm's height can be adjusted within a range of 338mm to 949mm. Adjust the angles at the joints to achieve the desired height and reach.



Image: A detailed view of an adjustable joint on the microphone boom arm, highlighting the knob used to loosen and tighten the joint for angle adjustments.

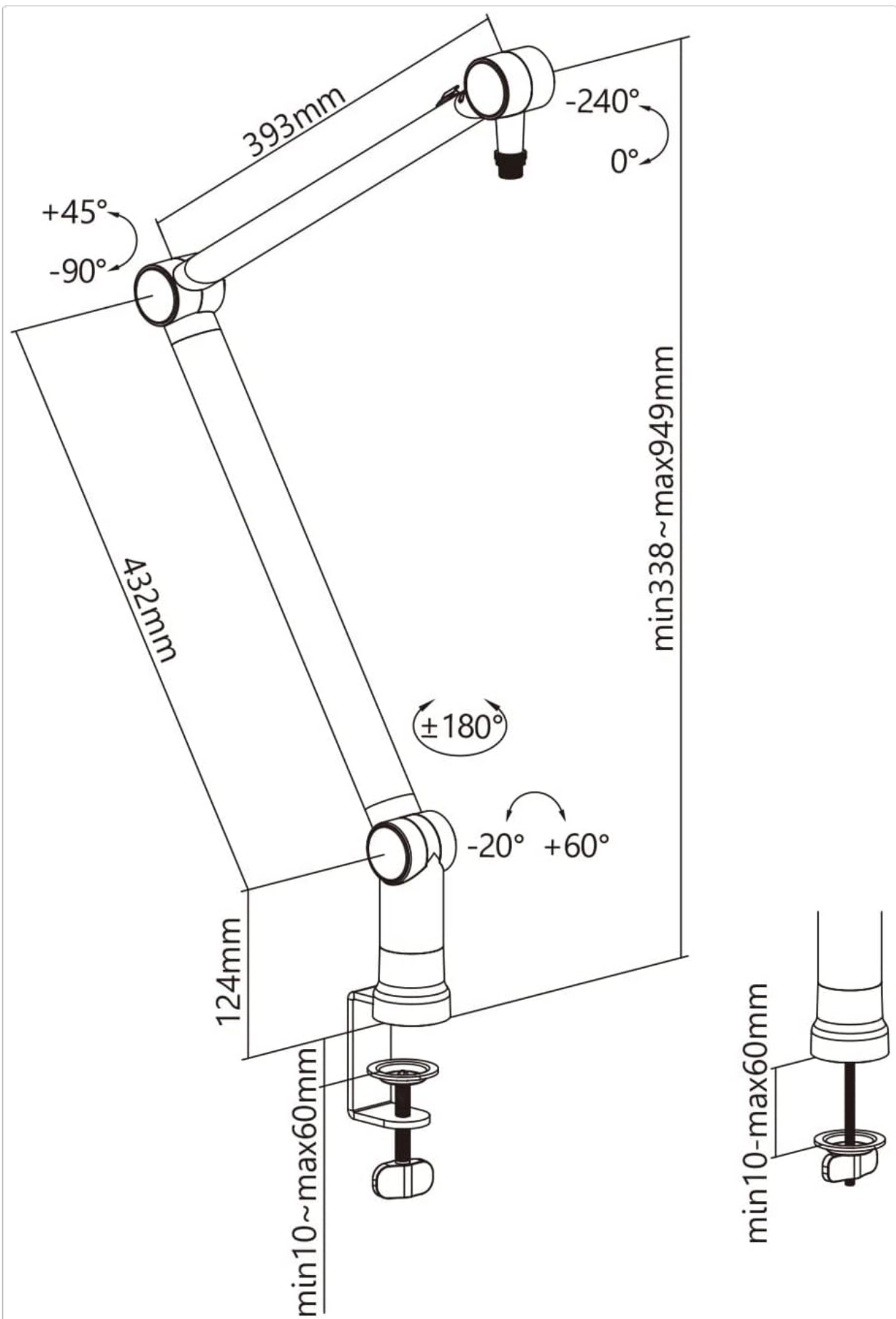


Image: A technical diagram illustrating the dimensions and adjustable angles of the Maclean MC-898 microphone boom arm, including minimum and maximum height, arm lengths, and rotation capabilities.

5.2 Optimal Microphone Placement

Position your microphone to capture the best audio quality while maintaining comfort. Experiment with different

distances and angles relative to the sound source (e.g., your mouth) to find the ideal setup for your specific needs.

6. MAINTENANCE

- **Cleaning:** Wipe the boom arm with a soft, dry cloth to remove dust. For stubborn marks, use a slightly damp cloth and mild soap, then dry thoroughly. Avoid abrasive cleaners.
- **Joints and Fasteners:** Periodically check all screws and adjustment knobs to ensure they are tight. If the arm feels loose, gently tighten the relevant fasteners.
- **Cable Management:** Ensure cables are properly routed and not pinched or excessively bent, which could lead to damage.

7. TROUBLESHOOTING

- **Arm does not hold position:** Ensure all adjustment knobs are sufficiently tightened. If the issue persists, check the weight of your microphone; it may exceed the maximum capacity of 1 kg.
- **Arm feels wobbly:** Verify that the desk clamp is securely fastened to the desk and that the boom arm is fully inserted into the clamp's receiver.
- **Difficulty rotating the arm:** Check for any obstructions around the base or joints. Ensure no cables are caught in the rotation mechanism.

8. SPECIFICATIONS

Feature	Specification
Model Number	MC-898
Material	Metal
Color	Black
Maximum Recommended Weight	1 kg (1000 Grams)
Adjustable Height Range	338 mm to 949 mm
Microphone Thread Size	3/8 inch, 5/8 inch (with adapter)
Desk Clamp Thickness Range	10 mm to 60 mm
Product Dimensions (L x W x H)	75 x 10 x 10 cm
Product Weight	1.7 kg
Integrated Features	Cable Management System

9. WARRANTY AND SUPPORT

Macleon products are designed for durability and performance. This product comes with a standard manufacturer's warranty against defects in materials and workmanship. For specific warranty terms and conditions, please refer to the documentation provided at the time of purchase or contact your retailer.

For technical support, troubleshooting assistance, or inquiries regarding replacement parts, please contact Maclean customer service through your point of purchase or visit the official Maclean website.

© 2023 Maclean. All rights reserved.