

## Manuals+

[Q & A](#) | [Deep Search](#) | [Upload](#)

manuals.plus /

› [SAMSUNG](#) /

› [SAMSUNG Jet 75 Pet Cordless Stick Vacuum Cleaner VS20T7512N7/AA User Manual](#)

## SAMSUNG VS20T7512N7/AA

# SAMSUNG Jet 75 Pet Cordless Stick Vacuum Cleaner User Manual

Model: VS20T7512N7/AA

## 1. SAFETY INFORMATION

---

Read all instructions before using this appliance. Failure to follow these instructions may result in electric shock, fire, or serious injury.

- Do not use the vacuum cleaner outdoors or on wet surfaces.
- Do not allow children to operate the vacuum cleaner. Close supervision is necessary when used near children.
- Do not pick up flammable or combustible liquids, such as gasoline, or use in areas where they may be present.
- Do not pick up anything that is burning or smoking, such as cigarettes, matches, or hot ashes.
- Do not use without the dust bin and filters properly installed.
- Use only as described in this manual. Use only manufacturer's recommended attachments.
- Turn off the appliance before making any adjustments, changing accessories, or storing the appliance.
- Store the vacuum cleaner indoors in a cool, dry place.

## 2. PRODUCT OVERVIEW

---

The SAMSUNG Jet 75 Pet Cordless Stick Vacuum Cleaner is designed for powerful and convenient cleaning across various surfaces.

### 2.1 Components and Accessories

# What's in the box



**Image:** Overview of the SAMSUNG Jet 75 Pet vacuum cleaner components, including the main vacuum body, the long-reach crevice tool, the mini motorized tool, and the battery charging station.

- **Main Vacuum Unit:** Lightweight design for easy maneuverability.
- **Turbo Brush:** Effective on carpets and hard floors with intense suction.
- **Mini Motorized Tool:** Specifically designed for removing pet hair from furniture and rugs.
- **Long-Reach Crevice Tool:** Ideal for cleaning tight corners and awkward areas.
- **Removable Battery:** Provides up to 60 minutes of run time.
- **Charging Station:** Offers flexible charging options (wall-mounted or stand-alone).
- **Dusting Brush:** For delicate surfaces.

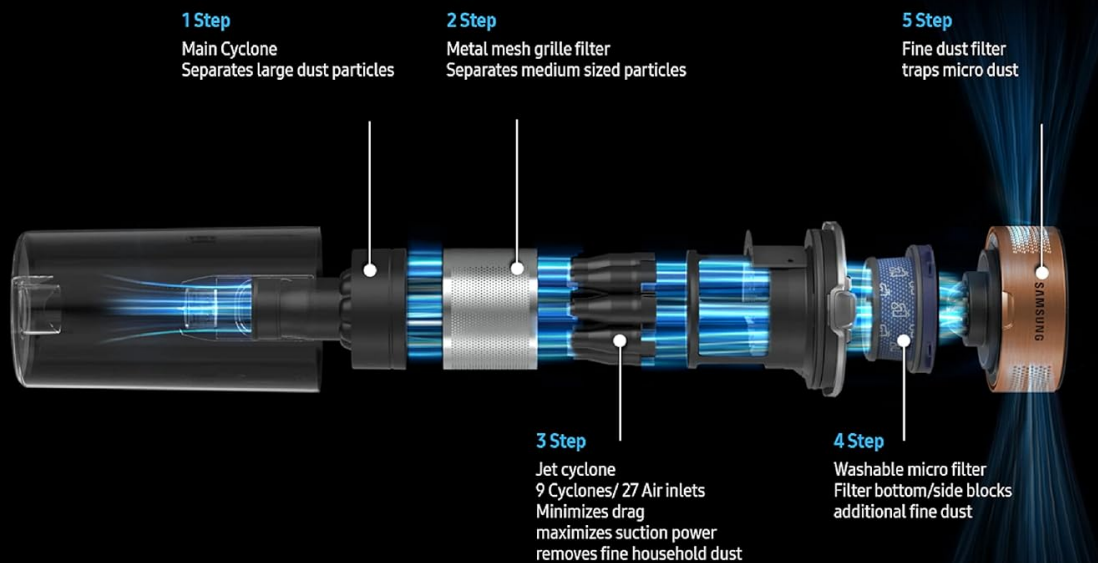
## 2.2 Key Features

- **Powerful Suction:** Digital Inverter Motor generates up to 200AW suction power.
- **5-Layer Filtration System:** Traps 99.999% of microdust for cleaner air.
- **Jet Cyclone Technology:** Optimizes airflow and prevents clogs for consistent suction.
- **Digital Display:** Shows power level, brush type, and alerts for airflow issues or clogs.
- **Washable Dust Bin:** 0.8-liter capacity, easily detachable and fully washable.

# 5-Layer Filtration

Traps 99.999%\* of microdust for cleaner air in your home.

\*Based on third-party testing by SLG, using Max mode, in accordance with the IEC62885-2 CL5.11 standard.



**Image:** Detailed diagram illustrating the 5-layer filtration system of the SAMSUNG Jet 75 Pet, showing how it separates and traps dust particles.

## 3. SETUP

### 3.1 Assembly

1. Insert the extension pipe into the main body until it clicks into place.
2. Attach the desired cleaning head (e.g., Turbo Brush) to the bottom of the extension pipe until it clicks.
3. Ensure the dust bin is securely attached to the main body.



**Image:** The SAMSUNG Jet 75 Pet cordless stick vacuum cleaner shown fully assembled with its main cleaning head, alongside the mini motorized tool, long-reach crevice tool, and charging station.

### 3.2 Initial Charging

1. Connect the charging station to a power outlet.
2. You can charge the battery in two ways:
  - **Directly on the vacuum:** Place the entire vacuum onto the wall-mounted or stand-alone charging station.
  - **Remove and charge:** Detach the battery from the vacuum and insert it into the charging station.
3. The battery indicator on the digital display will show charging progress. A full charge takes approximately 120 minutes.

# Longer run time to tidy up on your terms

Conveniently remove battery for flexible charging.



**Image:** A collage showing the SAMSUNG Jet 75 Pet in various use cases and highlighting the removable battery for flexible charging, indicating up to 1 hour of run time.

## 4. OPERATING INSTRUCTIONS

### 4.1 Power On/Off and Mode Selection

1. Press the power button on the handle to turn the vacuum on or off.
2. Use the '+' and '-' buttons on the digital display to select one of the four cleaning modes (Min, Mid, Max, Jet).
3. The digital display will show the current power level and brush type.

# Easy notifications, all the time

Check power level and brush type; monitor alerts such as clogs.

Wet mode only available with Spin Sweeper accessory.



**Image:** A close-up view of the digital display on the SAMSUNG Jet 75 Pet, showing power levels (MAX, MID, MIN, JET) and icons for alerts like clogs or missing filters.

## 4.2 Cleaning Different Surfaces

- **Hard Floors:** Use Min or Mid mode for general cleaning. The Turbo Brush is suitable for hard floors.
- **Carpets and Area Rugs:** Use Mid or Max mode for deeper cleaning. The Turbo Brush is designed for effective carpet cleaning.
- **Pet Hair:** Attach the Mini Motorized Tool to effectively remove pet hair from upholstery, stairs, and smaller carpeted areas.
- **Tight Spaces:** Use the Long-Reach Crevice Tool for corners, edges, and narrow gaps.

# A thorough clean for your home

Great for carpets, as well as other surfaces.



**Image:** The SAMSUNG Jet 75 Pet vacuum cleaner head shown cleaning different floor surfaces, including hardwood, tile, and carpet, demonstrating its versatility.

# Great for pet hair

Breathe easier and reduce pet hair with this handy tool.



**Image:** A woman using the SAMSUNG Jet 75 Pet with the mini motorized tool attachment to clean pet hair from a sofa, with a dog sitting nearby.

## 5. MAINTENANCE

---

### 5.1 Emptying and Cleaning the Dust Bin

1. Press the dust bin release button and detach the dust bin from the main body.
2. Open the dust bin cover and empty the contents into a waste bin.
3. For thorough cleaning, the entire 0.8-liter dust bin and its internal components (main cyclone, metal mesh grille filter, jet cyclone, washable micro filter, fine dust filter) are fully washable.
4. Rinse all washable parts under running water. Ensure they are completely dry before reassembling and reattaching to the vacuum.



**Image:** An exploded view of the SAMSUNG Jet 75 Pet's dust bin and filtration components, demonstrating how they can be disassembled for washing and maintenance.

## 5.2 Cleaning Filters

- The washable micro filter and fine dust filter should be cleaned regularly to maintain optimal suction.
- Tap the filters gently to remove loose dust. If heavily soiled, rinse under cool running water.
- Allow filters to air dry completely for at least 24 hours before reinstallation. Do not use a dryer or other heating devices.

## 5.3 Cleaning Brush Heads

- Periodically check the Turbo Brush and Mini Motorized Tool for tangled hair or debris.
- Turn off the vacuum and detach the brush head.

- Use scissors or a brush to remove any tangled hair or fibers from the brush roller.
- Reattach the brush head securely.

## 6. TROUBLESHOOTING

Problem	Possible Cause	Solution
Vacuum does not turn on.	Battery is not charged or not properly inserted.	Charge the battery fully. Ensure the battery is securely inserted.
Reduced suction power.	Dust bin is full, filters are clogged, or brush head is blocked.	Empty the dust bin. Clean or wash the filters. Remove any blockages from the brush head or extension pipe. The digital display may show an alert for airflow issues or clogs.
Brush head stops rotating.	Obstruction in the brush roller.	Turn off the vacuum, detach the brush head, and remove any tangled hair or debris.
Battery run time is shorter than expected.	Using Max/Jet mode frequently, or battery degradation over time.	Use lower power modes when possible. Ensure battery is fully charged. Consider replacing the battery if it's old.

## 7. SPECIFICATIONS

Feature	Detail
Brand	SAMSUNG
Model Name	Samsung Jet 75 Pet
Item Model Number	VS20T7512N7/AA
Special Feature	Bagless, Lightweight, Portable
Filter Type	Disk (5-Layer Filtration System)
Included Components	Dusting Brush, Turbo Brush, Mini Motorized Tool, Long-Reach Crevice Tool
Cordless	Yes
Dust Bin Capacity	0.8 Liters
Wattage	200 watts (Max Suction Power)
Charging Time	120 minutes
Recommended Uses	Hard Floor, Carpet, Area Rugs, Stairs
Form Factor	Stick
Color	Teal Silver
Product Dimensions	9.8"L x 8.5"W x 44.5"H

Feature	Detail
Battery Type	Lithium-Ion
Battery Life	Up to 60 minutes (on minimum power level with non-motorized tool)
Item Weight	6.61 pounds
Number of Power Levels	4
UPC	887276609928

## 8. WARRANTY AND SUPPORT

---

SAMSUNG products are manufactured with quality and care. For detailed warranty information, please refer to the warranty card included with your product or visit the official SAMSUNG website.

For technical support, service, or to purchase replacement parts, please contact SAMSUNG customer service or visit their support portal. Keep your proof of purchase for warranty claims.

**Online Support:** [www.samsung.com/us/support/](http://www.samsung.com/us/support/)