

Manuals.plus /

› SAMSUNG /

› SAMSUNG Jet 75 Complete Cordless Stick Vacuum Cleaner User Manual

## SAMSUNG VS20T7551P5/AA

# SAMSUNG Jet 75 Complete Cordless Stick Vacuum Cleaner

Model: VS20T7551P5/AA

Brand: SAMSUNG

## 1. INTRODUCTION

The Samsung Jet™ 75 Complete Cordless Stick Vacuum is designed for efficient and convenient cleaning across various surfaces. Its lightweight and maneuverable design, combined with powerful suction and a hygienic Clean Station, makes it an ideal solution for maintaining a clean home. This manual will guide you through the assembly, operation, maintenance, and troubleshooting of your new vacuum cleaner to ensure you get the best performance and extend its lifespan.

## 2. WHAT'S IN THE BOX

Upon unboxing your Samsung Jet™ 75 Complete, please verify that all components listed below are present. If any items are missing or damaged, contact customer support.

- Jet 75 Complete Cordless Stick Vacuum
- Clean Station
- Combination Tool
- Long-Reach Crevice Tool
- 2 Rechargeable Batteries
- Charging Stand/Wall Mount

# What's in the box



Figure 2.1: All components included in the Samsung Jet 75 Complete package.

## 3. SETUP AND ASSEMBLY

Follow these steps to assemble and prepare your vacuum for first use:

1. **Unpack Components:** Carefully remove all items from the packaging.
2. **Assemble the Vacuum:** Connect the main body of the vacuum to the extension pipe, and then attach the desired cleaning head (e.g., Turbo Brush) to the other end of the extension pipe. Ensure all connections click securely into place.
3. **Install Battery:** Insert one of the rechargeable batteries into the battery slot on the main body of the vacuum until it clicks.
4. **Set Up Charging Station:** Choose a suitable location for the charging stand. It can be mounted on a wall or used as a freestanding unit. Connect the power adapter to the charging stand and plug it into a power outlet.
5. **Initial Charge:** Place the vacuum onto the charging stand. Allow the battery to fully charge before first use. The digital display will indicate charging status. A full charge typically takes approximately 120 minutes.



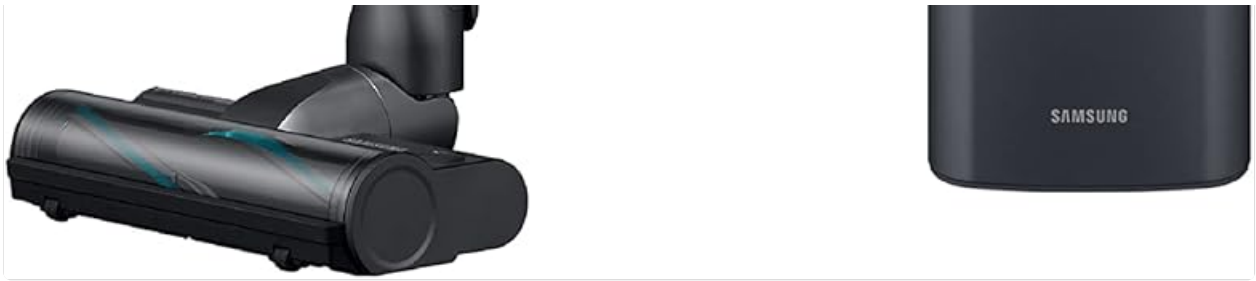


Figure 3.1: The Samsung Jet 75 Complete vacuum and Clean Station ready for use.



Figure 3.2: Flexible charging options for the vacuum, including wall mounting or stand-alone charging.

## 4. OPERATING INSTRUCTIONS

Your Samsung Jet™ 75 Complete is designed for intuitive operation. Familiarize yourself with its features for

optimal cleaning.

#### 4.1 Powering On/Off and Mode Selection

- **Power On:** Press the power button located on the handle.
- **Adjust Suction Power:** Use the '+' and '-' buttons to cycle through the available cleaning modes: MIN, MID, JET, and MAX. Select the appropriate mode based on the cleaning task and surface type.
- **Power Off:** Press the power button again to turn off the vacuum.

## Easy notifications, all the time

Check power level and brush type; monitor alerts such as clogs.

Wet mode only available with Spin Sweeper accessory.



Figure 4.1: Digital display showing power levels and controls for easy monitoring.

#### 4.2 Using Cleaning Attachments

- **Turbo Brush:** Ideal for carpets and hard floors, providing intense suction power for thorough cleaning.
- **Long-Reach Crevice Tool:** Designed to access tight corners, narrow gaps, and other hard-to-reach areas like under furniture or behind appliances.
- **Combination Tool:** A versatile tool for dusting and gently cleaning upholstery, window frames, and tabletops.

# Longer run time to tidy up on your terms

Conveniently remove battery for flexible charging and swap for a spare for extended cleaning. Vacuum for up to 120 minutes without needing to recharge.\*

\*Stated run time applies to the minimum power level with a nonmotorized tool attached.



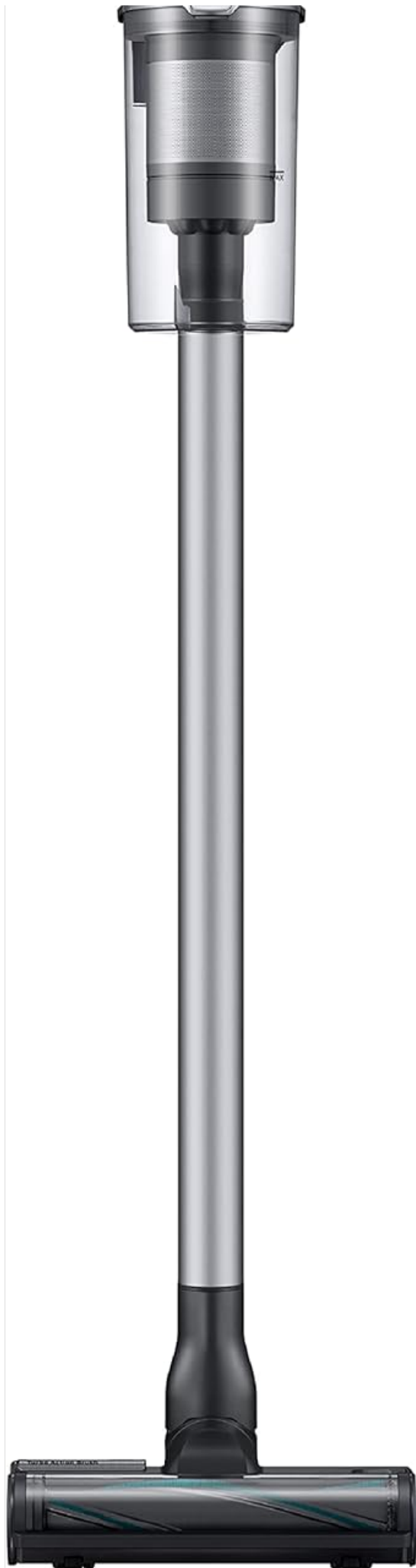
Figure 4.2: The Turbo Brush effectively cleans various floor types.





Figure 4.3: The Long-Reach Crevice Tool for accessing narrow spaces.





### 4.3 Emptying the Dustbin with Clean Station

The Clean Station provides a hygienic way to empty the vacuum's dustbin without releasing dust back into the air.

1. Detach the dustbin from the vacuum cleaner.
2. Place the dustbin onto the Clean Station.
3. Press the button on the Clean Station to activate the emptying process. The station will automatically pull debris from the dustbin into a disposable bag inside the station, trapping 99.999% of fine dust.
4. Once complete, remove the dustbin and reattach it to the vacuum.



Figure 4.5: The Clean Station provides a hygienic dustbin emptying solution.

## 5. MAINTENANCE

Regular maintenance ensures your Samsung Jet™ 75 Complete operates efficiently and maintains its powerful suction.

### 5.1 Cleaning the Dustbin and Filters

- **Washable Dustbin:** The 0.8-liter high-capacity dustbin is fully washable. Detach it from the vacuum, empty any remaining debris, and rinse it thoroughly with water. Allow it to air dry completely before reattaching.
- **Filter Maintenance:** The 5-layer filtration system includes a HEPA filter. Regularly check and clean the filters to maintain optimal air quality and suction power. The main cyclone, metal mesh grille filter, Jet Cyclone, washable micro filter, and ultra-fine dust filter should be cleaned as needed.



Figure 5.1: Washable dustbin and filter components for easy cleaning.

# Breathe cleaner air in your home

Traps 99.999%\* of microdust for cleaner air in your home.

\*Based on third-party testing by SLG, using Max mode, in accordance with the IEC62885-2 CL5.11 standard.

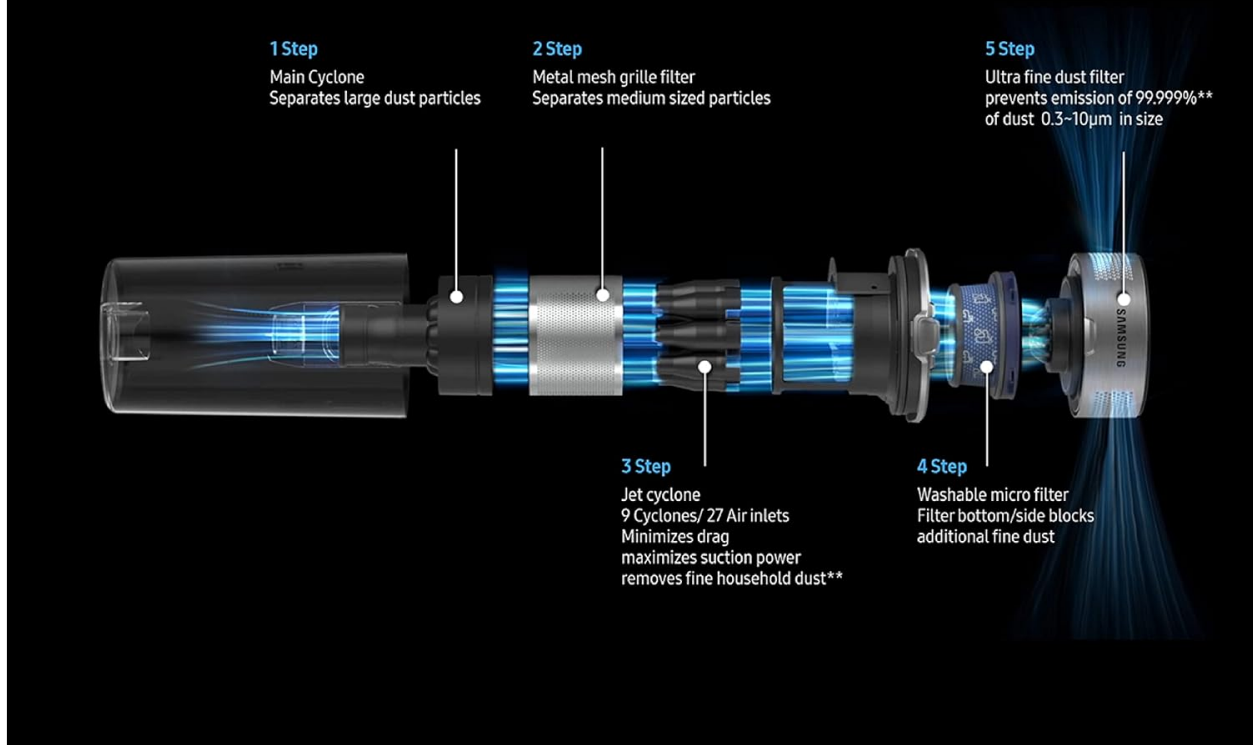


Figure 5.2: The 5-step filtration system ensures cleaner air.

## 5.2 Brush Head Cleaning

Periodically check the Turbo Brush for tangled hair or debris. To clean, remove the brush from the cleaning head and carefully cut away any tangled hair or fibers. Reinsert the brush securely.

## 5.3 Battery Care

To maximize battery life, always use the official Samsung charger. Store the vacuum and batteries in a cool, dry place. If not using the vacuum for an extended period, fully charge the battery before storage.

# A thorough clean for your home

Great for carpets, as well as other surfaces.



Figure 5.3: The removable batteries offer extended cleaning time.

## 6. TROUBLESHOOTING

If you encounter issues with your Samsung Jet™ 75 Complete, refer to the following common problems and solutions:

<b>Problem</b>	<b>Possible Cause</b>	<b>Solution</b>
Vacuum does not turn on.	Battery is not charged or not properly inserted.	Ensure battery is fully charged and securely inserted.
Low suction power.	Dustbin is full, filters are clogged, or brush head is blocked.	Empty dustbin, clean all filters, and remove any blockages from the brush head or pipe.
Brush head stops spinning.	Hair or debris tangled in the brush, or a blockage in the nozzle.	Turn off the vacuum, remove the brush, and clear any obstructions. Check the nozzle for blockages.
Battery run time is short.	Using MAX power mode, or battery degradation over time.	Use lower power modes for longer run time. Ensure battery is fully charged. Consider using the second battery for extended cleaning.
Clean Station not emptying dustbin.	Dustbin not properly seated, or Clean Station bag is full.	Ensure the vacuum's dustbin is correctly aligned and fully inserted into the Clean Station. Check and replace the disposable bag inside the Clean Station if full.

If the problem persists after attempting these solutions, please contact Samsung customer support.

## 7. SPECIFICATIONS

---

Feature	Detail
Brand	SAMSUNG
Model Name	Samsung Jet 75 Complete
Item Model Number	VS20T7551P5/AA
Special Feature	Bagless, Lightweight, Portable, Washable Filter, Cordless, Removable Battery, Notifications, Digital
Filter Type	HEPA Filter
Included Components	Brush, Crevice Tool
Capacity	0.02 Quarts (Dustbin: 0.8 Liters)
Wattage	200 watts (Suction Power)
Runtime	Up to 1 hour (per battery, minimum power level with non-motorized tool)
Charging Time	120 minutes
Form Factor	Stick
Color	Silver
Product Dimensions	8.5"L x 9.8"W x 44.5"H
Battery Type	Lithium-Ion
Noise Level	82 dB
Item Weight	31.3 pounds (Shipping Weight)
Number of Power Levels	2 (MIN, MID, JET, MAX modes)
Indoor/Outdoor Usage	Indoor
Control Method	Touch / Push Button

## 8. WARRANTY AND SUPPORT

Your Samsung Jet™ 75 Complete Cordless Stick Vacuum is covered by a manufacturer's warranty. Please refer to the warranty card included in your product packaging for specific terms and conditions, including coverage duration and claim procedures.

For additional support, detailed instructions, or to download the full user manual in PDF format, please visit the official Samsung support website or refer to the document linked below:

[Download Full User Manual  
\(PDF\)](#)

For service or technical assistance, please contact Samsung customer service directly.