

[Manuals.plus](#) /

> [ikalido](#) /

> ikalido Metal Loft Bunk Bed Twin Over Twin Size Instruction Manual

ikalido B09P34N8SS

ikalido Metal Loft Bunk Bed Twin Over Twin Size Instruction Manual

Model: B09P34N8SS

1. INTRODUCTION

This manual provides detailed instructions for the assembly, safe use, and maintenance of your ikalido Metal Loft Bunk Bed Twin Over Twin Size. Designed for space efficiency and durability, this bunk bed offers a practical sleeping solution for children and teens.



Image 1: ikalido Metal Loft Bunk Bed Twin Over Twin Size, Matte Black finish.

2. SAFETY INFORMATION

- **Weight Capacity:** Each bed level is designed to support up to 400 lbs. Do not exceed this weight limit.
- **Guardrail Safety:** For your safety, the mattress surface of the upper bed must be at least 5 inches (127 mm) below the top edge of the guardrail.
- **Anti-Toppling Device:** An anti-toppling device is included to secure the bed frame to the wall, enhancing stability and preventing accidental tipping. Ensure this device is properly installed.
- **Ladder Use:** The sturdy ladder is designed for safe access to the upper bunk. Always use the ladder when ascending or descending.
- **Mattress Thickness:** Recommended mattress thickness for the upper bunk is 4-6 inches to maintain adequate guardrail height.

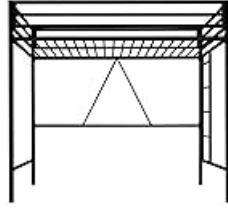


Image 2: Illustration of the anti-toppling device for enhanced safety.

3. PRODUCT OVERVIEW & FEATURES

The ikalido Metal Loft Bunk Bed is designed to maximize space in bedrooms or guest rooms while providing a modern aesthetic. Key features include:

- **Space-Saving Design:** Two twin beds (not separable) with 10.6 inches of space underneath for storage.
- **Durable Construction:** Made from metal with a painted matte black finish, ensuring longevity and stability.
- **Enhanced Safety:** Features an upper-level guardrail and round stepped tubes for injury prevention.
- **Noise Reduction:** Customized plastic buckles securely fix slats in place, minimizing noise for an immersive sleep experience.
- **Removable Ladder:** The ladder can be attached to either side of the bed frame for flexible room arrangement.

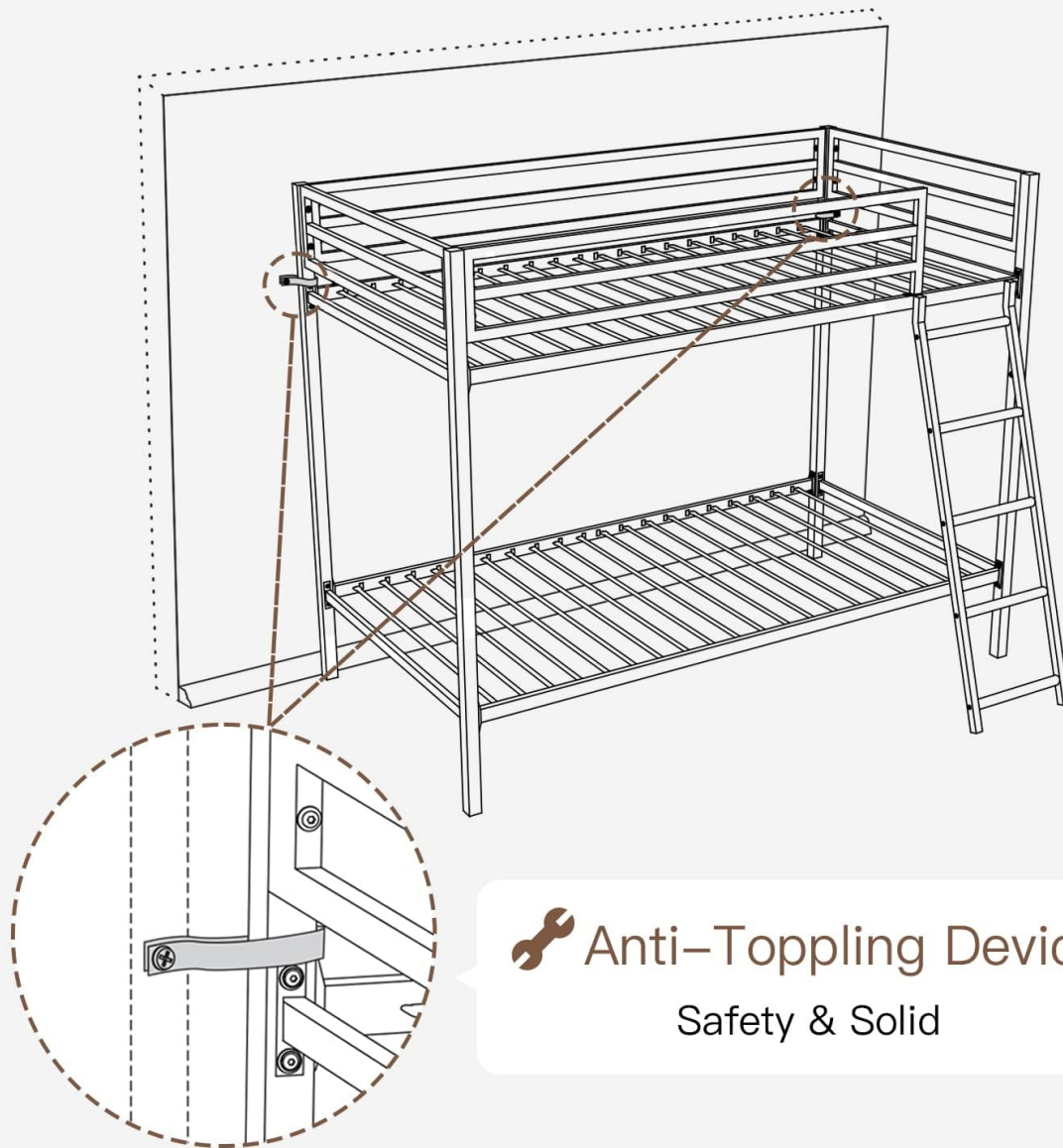


Image 3: Detailed view of safety guardrail, round ladder steps, and under-bed clearance.

4. SETUP & ASSEMBLY

Assembly is designed to be straightforward, typically taking two people approximately one hour. All necessary tools and instructions are included in the package.

1. **Unpack and Organize:** Carefully unpack all components and lay them out. Verify all parts are present against the included parts list.
2. **Assemble Frame Sections:** Follow the step-by-step instructions to connect the main frame components. Bolts are lightly greased for easier assembly.
3. **Install Slats:** Securely attach the metal slats using the customized plastic buckles. Ensure they are firmly in place to prevent movement and noise.
4. **Attach Ladder:** The ladder can be attached to either the left or right side of the bed frame, depending on your room layout.
5. **Install Anti-Toppling Device:** For maximum safety, secure the bed frame to the wall using the provided anti-toppling device.



Image 4: All components laid out before assembly.

Assembly Video

Your browser does not support the video tag.

Video 1: An overview of the ikalido Twin-Twin Bunk Bed Frame, demonstrating its features and assembly process.

5. USAGE & OPERATING

This bunk bed is designed for daily use, providing comfortable sleeping arrangements while optimizing room space.

- **Mattress Compatibility:** Use twin-sized mattresses. Recommended dimensions are 74-75 inches (L) x 37.5-38.5 inches (W).
- **Mattress Thickness:** For the upper bunk, a mattress thickness of 4-6 inches is recommended to ensure the guardrail provides adequate safety.
- **Under-Bed Storage:** The 10.6-inch clearance beneath the lower bunk provides ample space for storage bins or other items, helping to keep the room tidy.

ENJOY IMMERSIVE SLEEP



RUDUCE NOISE



ANTI-SHAKING



Image 5: Mattress size and thickness recommendations, highlighting the 5-inch safety margin below the guardrail.

Under-Bed Storage Demonstration

Your browser does not support the video tag.

Video 2: Demonstration of the under-bed storage capability of a twin size metal bunk bed, showcasing its practical use.

6. MAINTENANCE

- **Cleaning:** For the metal frame, wipe with a damp cloth and mild detergent. Dry immediately.
- **Tighten Bolts:** Periodically check and tighten all bolts and fasteners to ensure the bed remains stable and squeak-resistant.
- **Slat Integrity:** Ensure the plastic buckles securing the slats are intact and holding the slats firmly to maintain a noiseless sleep experience.
- **Product Care Instructions:** For any fabric components (e.g., mattress covers), follow "Dry Clean Only" instructions.

7. TROUBLESHOOTING

- **Squeaking Noises:** If the bed develops squeaking noises, re-tighten all assembly bolts. Ensure all plastic buckles on the slats are properly seated.
- **Ladder Discomfort:** If the ladder rungs are uncomfortable, consider adding padding or foam covers to the rungs for improved comfort.
- **Instability:** Ensure the anti-toppling device is correctly installed and secured to a wall stud. Verify all frame connections are tight.

8. SPECIFICATIONS

Feature	Detail
Size	Twin Over Twin
Special Feature	Squeak Resistant
Color	Matte Black
Product Dimensions	77.6"L x 41.3"W x 63.2"H
Brand	ikalido
Included Components	Slat
Finish Type	Painted
Weight Limit	400 Pounds
Item Weight	73 Pounds
Age Range (Description)	Kid, Teen
Assembly Required	Yes
Form Factor	Bunk Bed
Warranty Type	Limited
Ground To Item Distance	10.6 Inches
Frame Material	Metal

PRODUCT SIZE

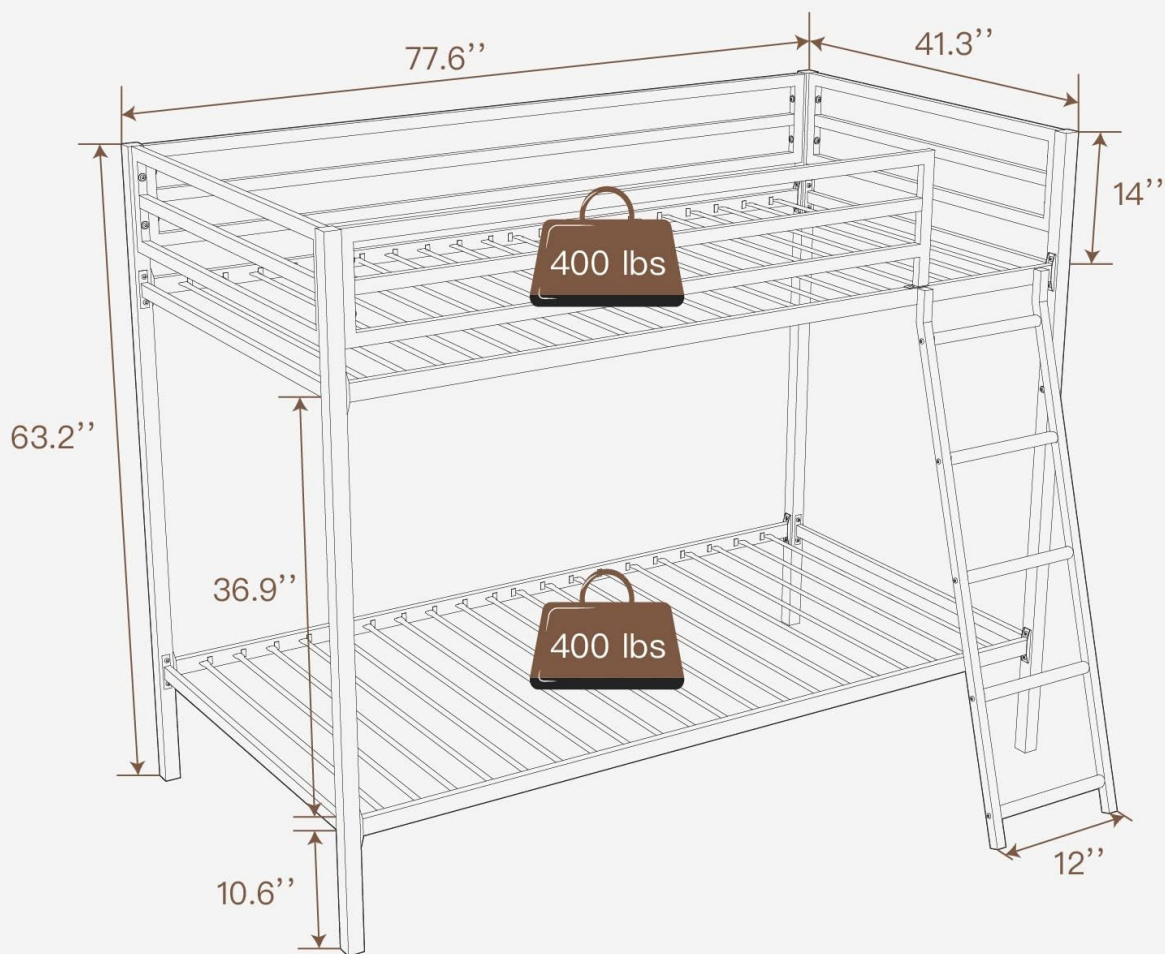


Image 6: Product dimensions and weight capacity details.

9. WARRANTY & SUPPORT

- **Limited Warranty:** This product comes with a limited warranty. Please refer to the warranty documentation included in your package for specific terms and conditions.
- **Returns:** Enjoy 90-day easy returns.
- **Protection Plans:** Optional 2-Year and 3-Year Protection Plans are available for purchase separately to extend coverage.
- **Customer Support:** For any questions, assistance, or to report missing/damaged parts, please contact ikalido customer support through the retailer's platform or the contact information provided in your product packaging.