

ikalido B09P29GZBK

ikalido Metal Loft Bed Twin Size Instruction Manual

Model: B09P29GZBK

INTRODUCTION

This manual provides detailed instructions for the assembly, operation, maintenance, and safety of your ikalido Metal Loft Bed Twin Size. Please read all instructions carefully before assembly and use to ensure safe and proper operation. Keep this manual for future reference.

IMPORTANT SAFETY INFORMATION

- **Weight Capacity:** The loft bed is designed to support a maximum weight of 400 lbs. Do not exceed this limit.
- **Mattress Requirements:** For your safety, the mattress surface of the upper bed must be at least 5 inches (127 mm) below the top edge of the guardrail. Recommended mattress thickness is 4-6 inches.
- **Guardrails:** The upper bunk features a full-length guardrail for maximum safety. Ensure all guardrails are securely installed before use.
- **Anti-Toppling Device:** Utilize the provided anti-toppling device to secure the bed frame to a wall, enhancing stability and preventing accidental tipping.
- **Assembly:** Assembly should be performed by two adults. Follow all instructions carefully.
- **Regular Checks:** Periodically check all bolts and connections to ensure they remain tight and secure.
- **No Jumping:** Do not jump on the bed.

SETUP AND ASSEMBLY

The ikalido Metal Loft Bed is designed for straightforward assembly. All necessary tools and instructions are included. It is recommended that two people assemble the bed to ensure efficiency and safety.

Assembly Overview

Follow the step-by-step instructions provided in the packaging. Ensure all parts are present before beginning assembly.



Figure 1: Fully assembled ikalido Metal Loft Bed.

Key Assembly Steps

1. Unpack all components and verify against the parts list.
2. Assemble the main frame structure, ensuring all bolts are finger-tightened initially.
3. Attach the ladder to the desired side of the bed frame. The ladder is removable and can be positioned as needed.
4. Install the bed slats and secure them using the customized plastic buckles to prevent noise and ensure stability.
5. Securely fasten the anti-toppling device to the bed frame and anchor it to a sturdy wall.
6. Once fully assembled, tighten all bolts with the provided tools.

ENJOY IMMERSIVE SLEEP



REDUCE NOISE



ANTI-SHAKING

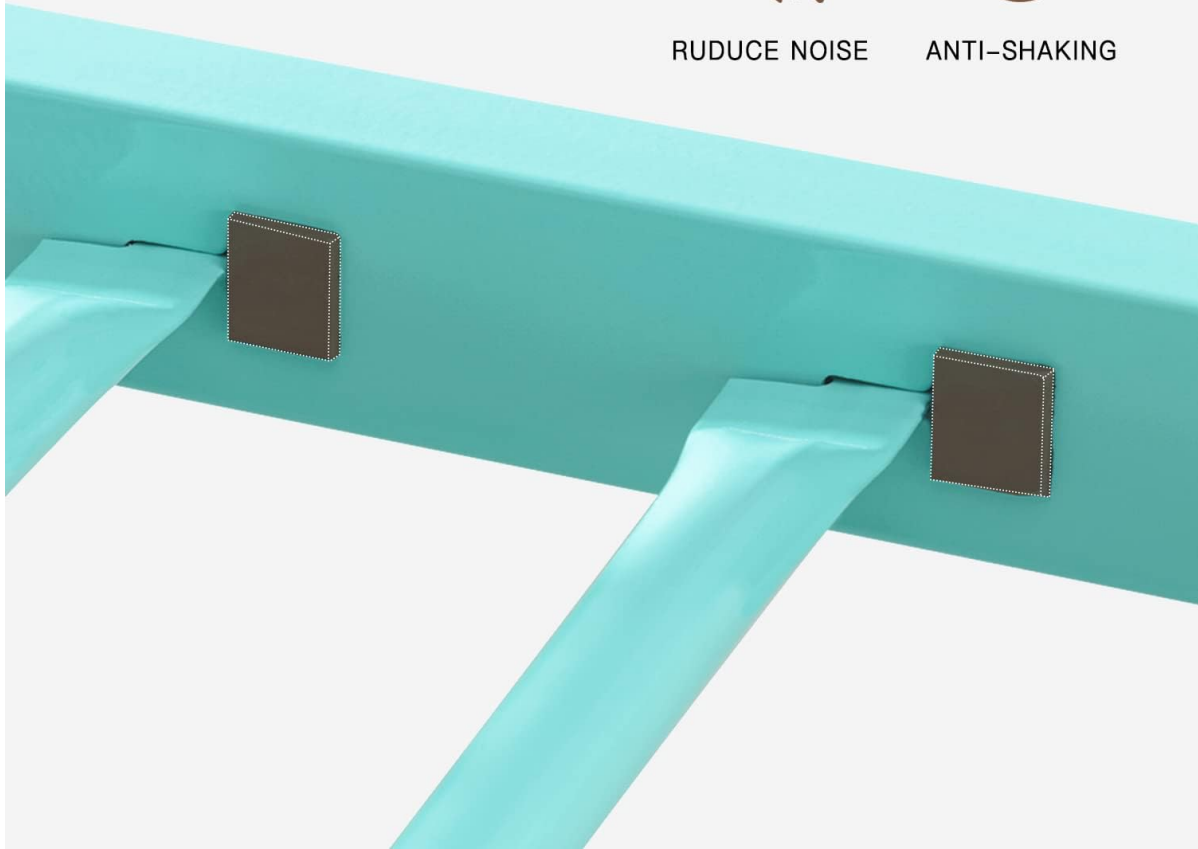


Figure 2: Illustration of the Anti-Toppling Device for enhanced safety.

Your browser does not support the video tag.

Video 1: Official ikalido Twin Size Metal Loft Bed overview, demonstrating features and potential room setup.

OPERATING INSTRUCTIONS

Utilizing the Loft Bed Space

The ikalido Metal Loft Bed is designed to maximize living space. The area beneath the twin bed can be used for various purposes, such as:

- Setting up a desk and chair for a study or work area.
- Storing luggage or other items to keep the room tidy.
- Creating a leisure zone with a TV or comfortable seating.



Figure 3: Example of utilizing the under-bed space for a desk.

Ladder Usage

The sturdy ladder provides access to the upper bunk. Ensure the ladder is firmly attached before climbing. The ladder features round pedals for comfortable climbing.

PRODUCT SIZE

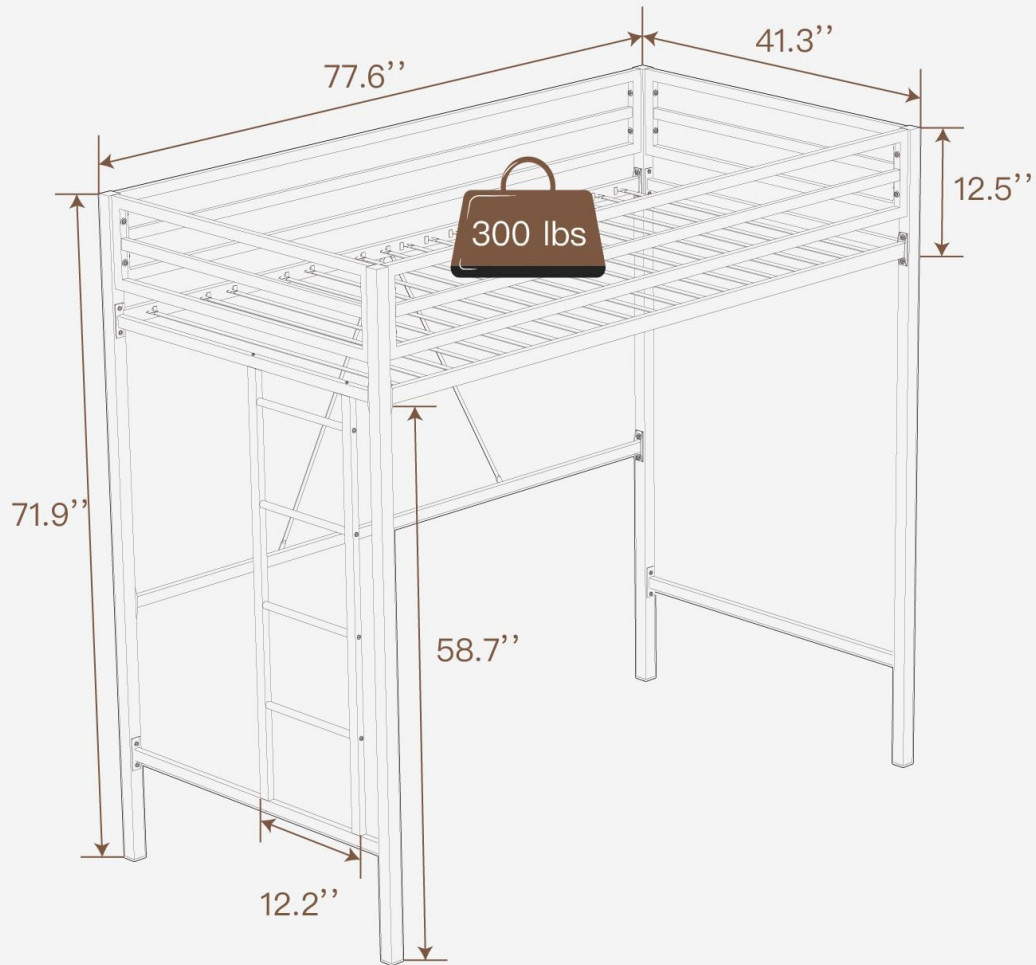


Figure 4: Detail of the loft bed ladder.

Mattress Placement

Place a twin-sized mattress on the bed slats. Adhere to the safety guideline that the mattress surface must be at least 5 inches (127 mm) below the top edge of the guardrail.



Figure 5: Mattress recommendation and safety notice.

MAINTENANCE

Cleaning

To clean the metal frame, wipe with a soft, damp cloth. Avoid abrasive cleaners or harsh chemicals that could damage the painted finish. For any fabric components (if applicable), follow the "Dry Clean Only" instruction.

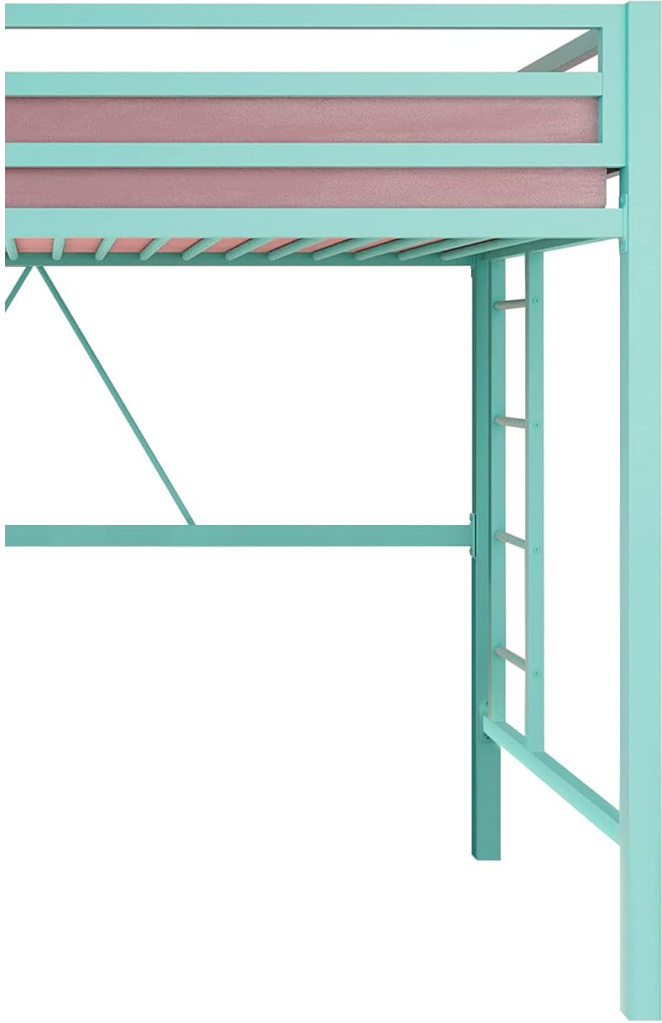
Structural Integrity

Periodically inspect all bolts, screws, and connections to ensure they are tight. Re-tighten as necessary to maintain the bed's stability and safety.


TROUBLESHOOTING

Problem	Possible Cause	Solution
---------	----------------	----------

Problem	Possible Cause	Solution
Bed wobbles or feels unstable.	Loose connections or improper wall anchoring.	Ensure all bolts are securely tightened. Verify the anti-toppling device is correctly installed and anchored to a sturdy wall.
Squeaking noises from the bed frame.	Loose connections or movement of slats.	Check and tighten all bolts. Ensure the customized plastic buckles are properly securing the slats in place.
Difficulty climbing the ladder.	Uncomfortable steps.	Consider adding padding or covers to the ladder steps for increased comfort.



Mattress Recommendation



Size: 74"–75"L x 37.5"–38.5"W
Thickness: 4–6"

NOTE:
The mattress surface of the upper bed must be at least 5" (127 mm) below the top edge of the guardrail.




Figure 6: Customized plastic buckles designed to reduce noise and shaking.

SPECIFICATIONS

Feature	Detail
Model Number	B09P29GZBK
Brand	ikalido

Feature	Detail
Size	Twin Loft
Product Dimensions	77.6"L x 41.3"W x 71.9"H
Material	Metal
Color	Aqua Green
Weight Capacity	400 lbs
Ground to Item Distance	60 Inches
Assembly Required	Yes
Special Features	Squeak Resistant, No Box Spring Needed, Guardrail, Stable, Removable Ladder, Space Saving

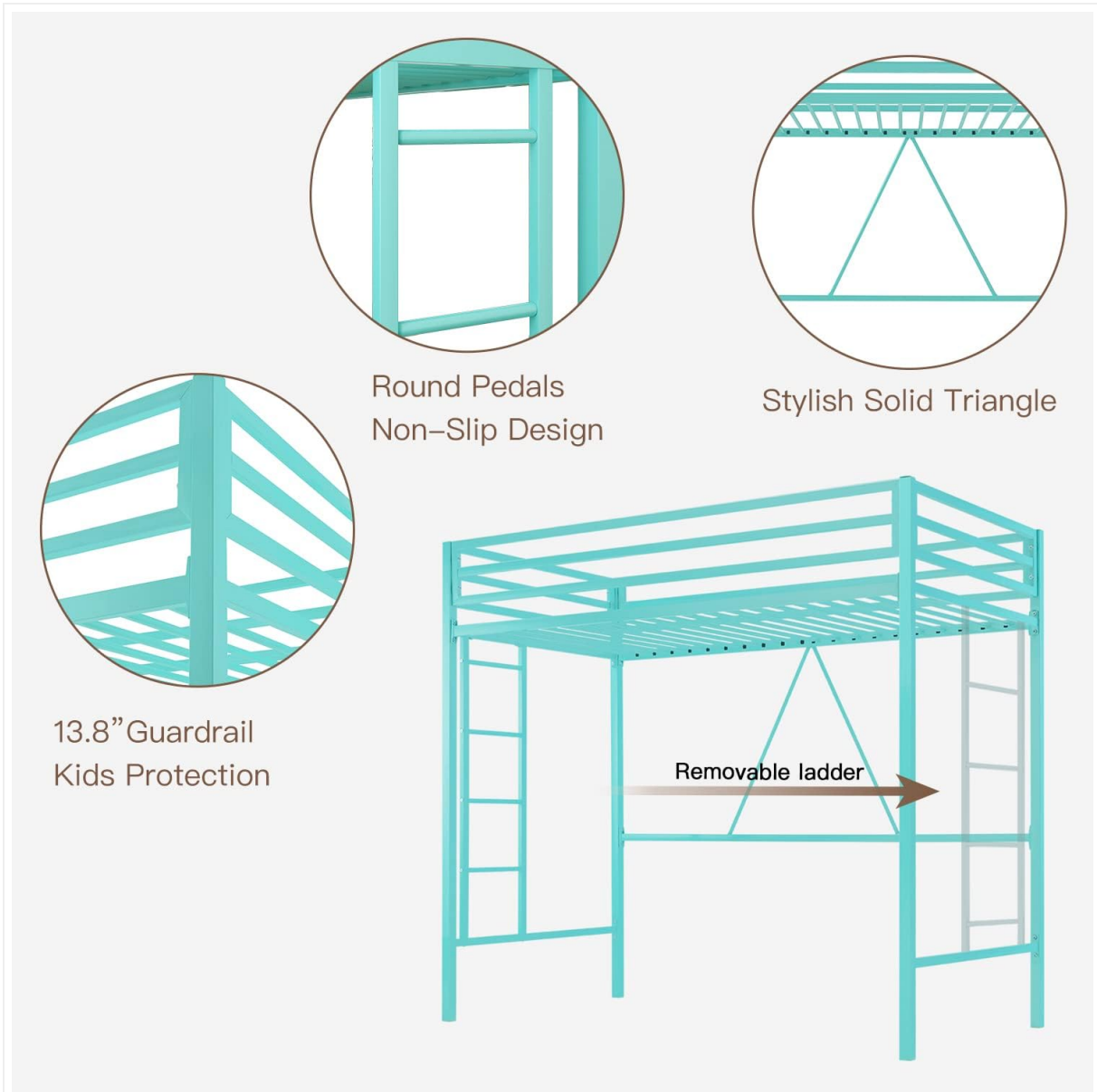


Figure 7: Product dimensions and weight capacity.

WARRANTY AND SUPPORT

For specific warranty details or customer support, please contact ikalido directly. You can often find contact information on the manufacturer's official website or through the retailer where the product was purchased. Visit the official ikalido store for more information:[ikalido Store](#).