

[Manuals.plus](#) /

› [Touch](#) /

› Touch Undermount Drawer Slides 12 Inch, Soft-Close Instruction Manual

Touch TCH-23104

Touch Undermount Drawer Slides 12 Inch, Soft-Close Instruction Manual

Model: TCH-23104

INTRODUCTION

This manual provides detailed instructions for the installation, operation, and adjustment of your Touch 12-inch soft-close undermount drawer slides. These slides are designed for concealed bottom mounting, offering a clean aesthetic with no visible hardware. They feature a soft-close mechanism for quiet operation and 3D adjustability for precise drawer alignment. Constructed from cold-rolled steel, each pair supports up to 75 lbs.

WHAT'S IN THE BOX

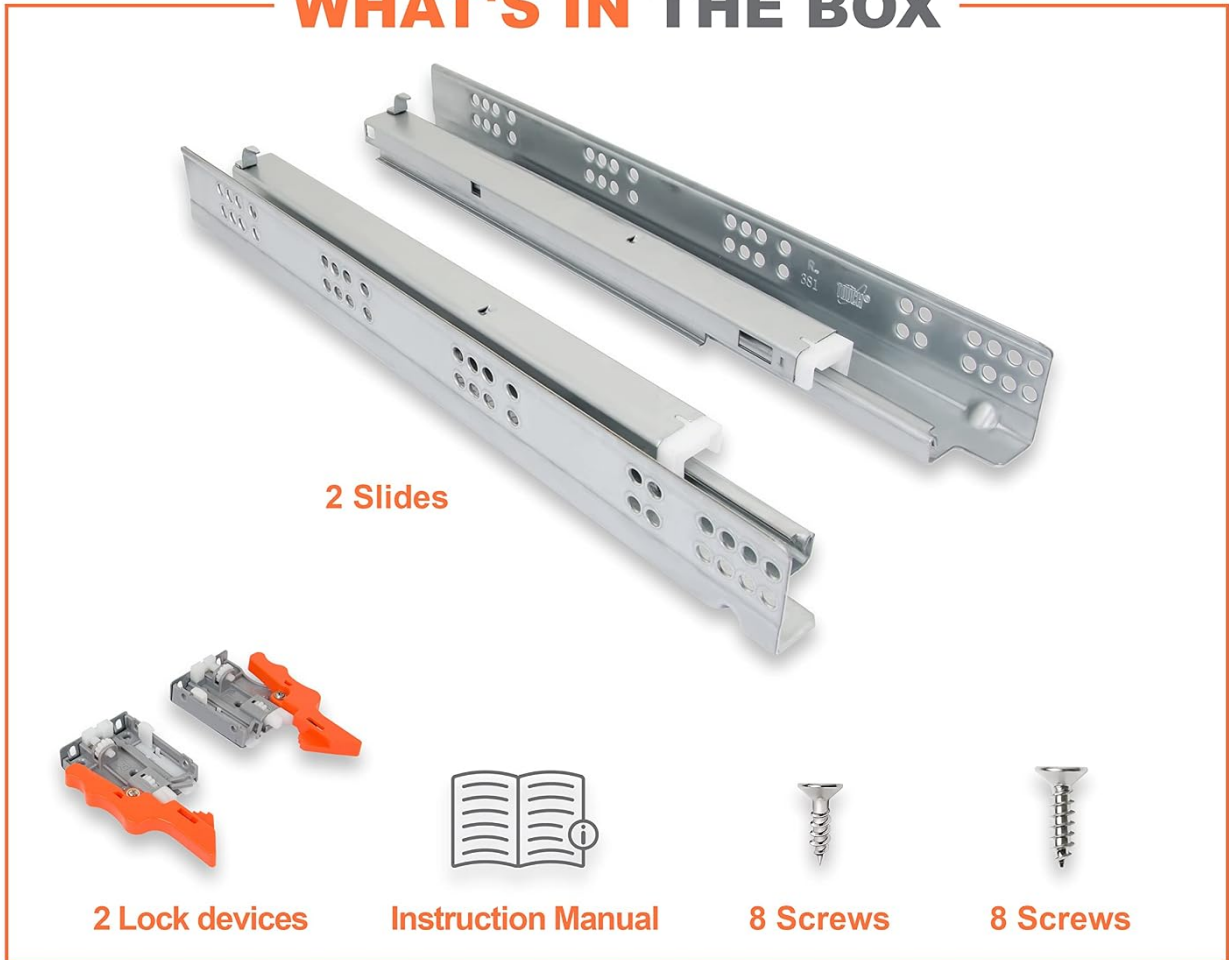
Verify that all components are present before beginning installation:

- 2 x Drawer Slides (1 Pair)
- 2 x Lock Devices
- Mounting Screws (8 for slides, 8 for lock devices)
- Instruction Manual (this document)



12" 19MM CLIP-ON SOFT CLOSE UNDERMOUNT DRAWER SLIDES

WHAT'S IN THE BOX



1 PAIR

Image: Components included in the package. Shows two drawer slides, two orange lock devices, and various screws.

SPECIFICATIONS

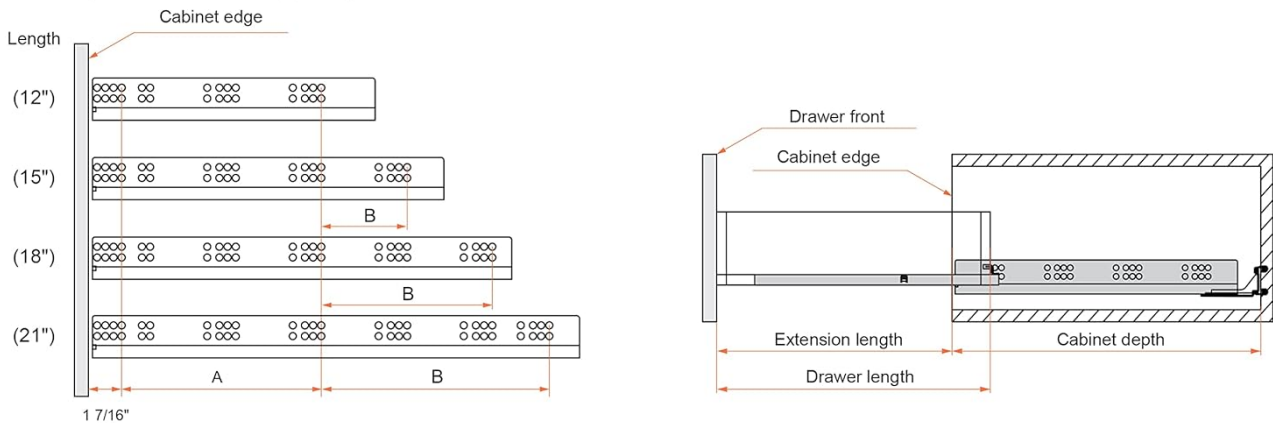
Feature	Detail
Model Number	TCH-23104
Length	12 inches (305mm)
Load Capacity	75 lbs
Material	Cold-Rolled Alloy Steel
Finish Type	Galvanized Steel
Mounting Type	Undermount (Concealed Bottom Mount)
Drawer Panel Thickness	1/2 inch to 3/4 inch

Feature	Detail
Adjustment	3D Adjustable (Height, Depth, Side-to-Side)
Features	Soft-Close Mechanism



SPECIFICATIONS

• Holes pattern and length specifications



Item number	Drawer length	Extension length	Cabinet depth		Mounting holes distance	
			Min	Max	A	B
TCH-23104 19.305.3D	(12")	10 3/8"	13.5"	14.5"	8 13/16"	-
TCH-23104 19.381.3D	(15")	13 3/4"	16.5"	17.5"	8 13/16"	3 3/4"
TCH-23104 19.457.3D	(18")	16 3/4"	19.5"	20.5"	8 13/16"	7 9/16"
TCH-23104 19.533.3D	(21")	19 11/16"	22.5"	23.5"	8 13/16"	10 1/16"

NOTE: The inside drawer width must equal Cabinet opening width minus (1-7/8") to align and function optimally

Calculating outside drawer width				
For drawer side panel thickness	(3/4")	(5/8")	(9/16")	(1/2")
Deduct from inside cabinet width	(3/8")	(5/8")	(13/16")	(7/8")
Example: For (24") inside cabinet width and a (1/2") thick drawer panel, (24") minus (7/8") = (23 1/8") drawer width				

Image: Detailed specifications table for different slide lengths, including drawer length, extension length, cabinet depth, and mounting hole distances.

SETUP AND INSTALLATION

General Requirements

- Ensure drawer side panels are between 1/2 inch and 3/4 inch thick.
- For optimal fit, the inside drawer width should be the cabinet opening width minus 1-7/8 inches.

• Front view

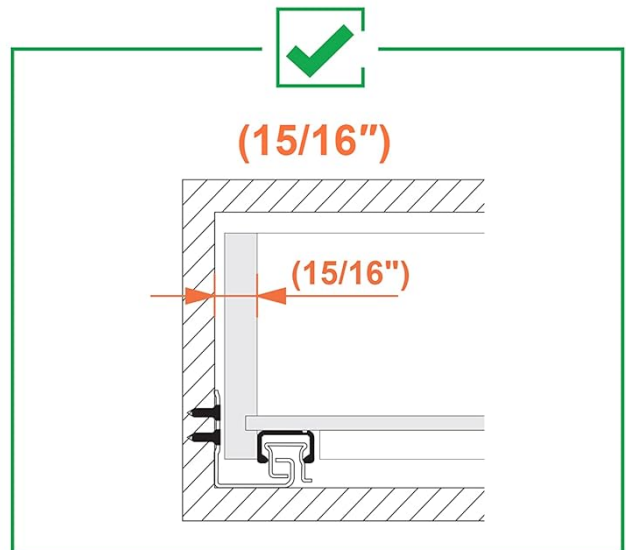
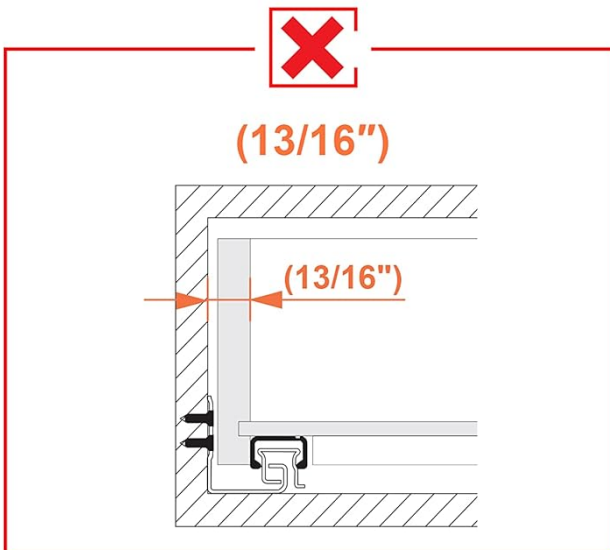
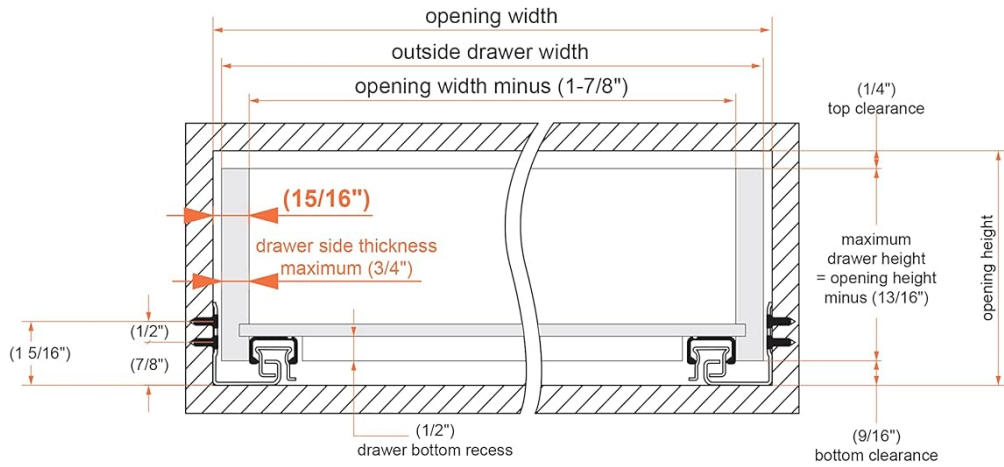
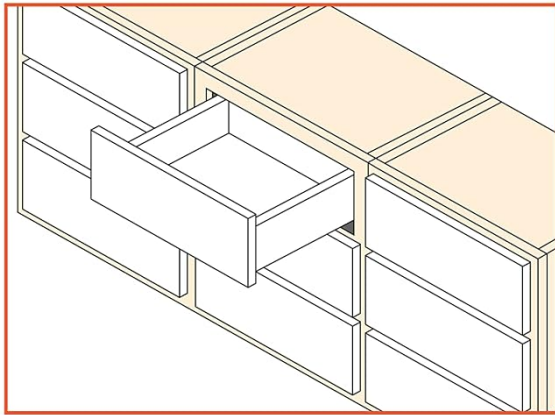


Image: Diagram detailing required clearances and dimensions for proper installation, including drawer side thickness (maximum 3/4 inch) and bottom recess.

Cabinet Type Compatibility

These slides are compatible with both face-frame and frameless cabinets.

- **For Face-Frame Cabinets:** Rear mounting sockets are required and sold separately.
- **For Frameless Cabinets:** Rear mounting sockets are not required.

**FACE FRAME**

Note: Rear mounting are sold separately

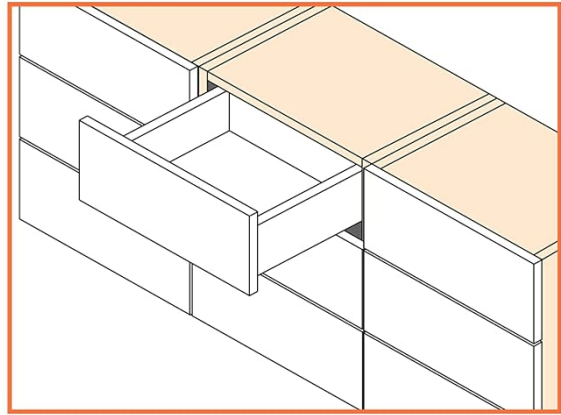
**FRAMELESS**

Image: Visual guide for installing slides in face-frame cabinets (requiring rear mounting sockets) and frameless cabinets (not requiring them).

Installation Steps

- 1. Prepare the Cabinet:** Ensure the cabinet opening is clean and free of obstructions. Measure and mark the mounting positions for the slides according to the specifications and your drawer dimensions.
- 2. Install Cabinet Slides:** Attach the cabinet portion of the slides to the inside of the cabinet using the provided screws. Ensure they are level and parallel. For face-frame cabinets, install the rear mounting sockets first, then attach the slides.
- 3. Prepare the Drawer:** Attach the lock devices to the underside of the drawer box, near the front, using the provided screws. Ensure they are correctly oriented.
- 4. Insert the Drawer:** Align the drawer with the cabinet slides and gently push it in until the lock devices engage with the slides. You should hear a click.
- 5. Adjust the Drawer:** Use the 3D adjustment features on the lock devices to fine-tune the drawer's height, depth, and side-to-side alignment. (Refer to the 'Adjustments' section for details).
- 6. Test Operation:** Open and close the drawer several times to ensure smooth movement and proper soft-close function.

Installation Video Guide

Your browser does not support the video tag.

Video: A detailed assembly guide for 19mm clip-on undermount slides, demonstrating the installation process from start to finish.

OPERATING THE DRAWER SLIDES

These undermount drawer slides feature a soft-close mechanism. When closing the drawer, gently push it until the soft-close mechanism engages. The drawer will then pull itself shut quietly and smoothly, preventing slamming.

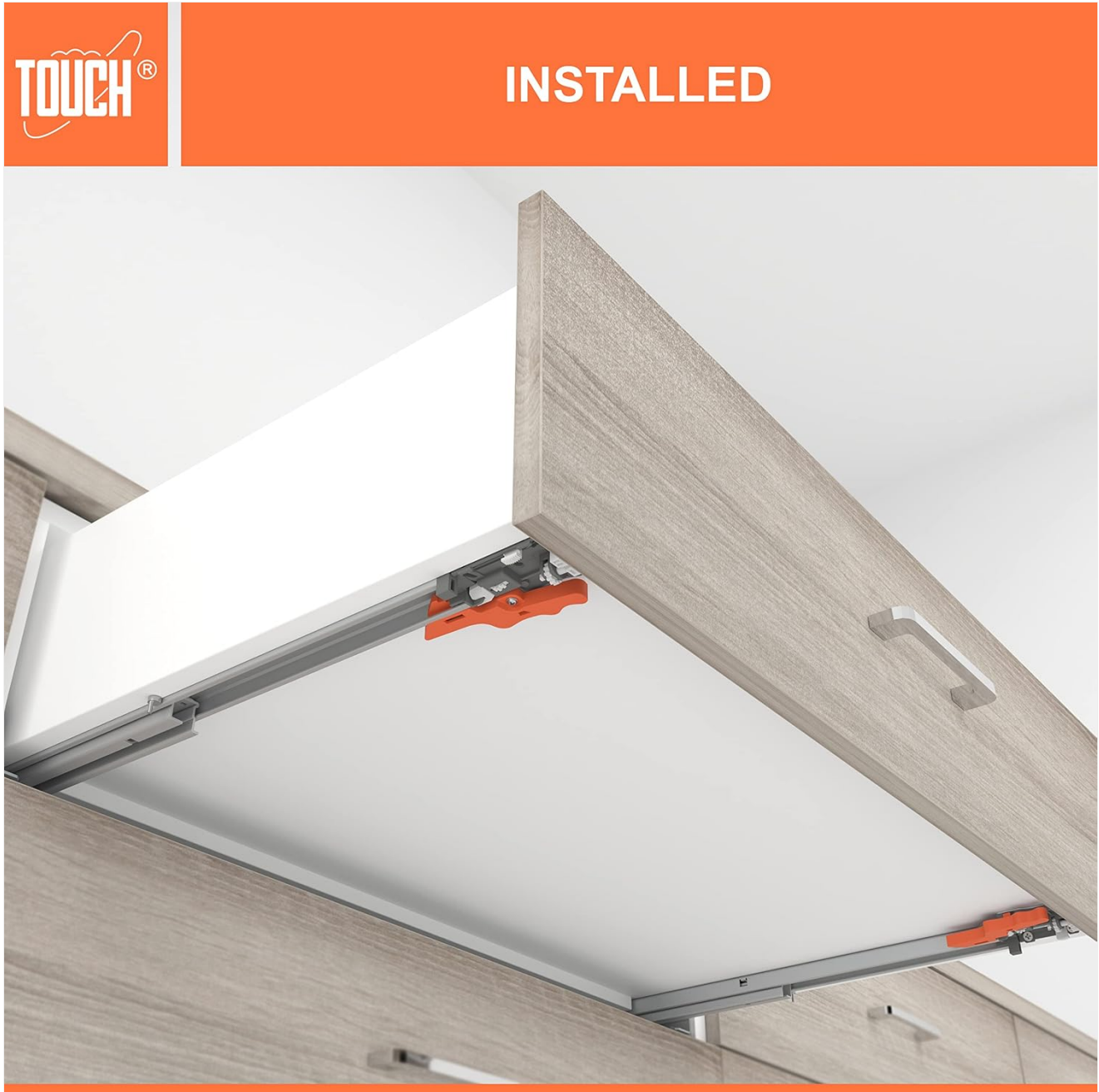


Image: A drawer fully installed with the undermount slides, demonstrating the concealed nature of the hardware.

ADJUSTMENTS (3D ADJUSTABLE)

The integrated 3D adjustment feature allows for fine-tuning of the drawer front after installation. This ensures an even and precise gap around the drawer front.

- **Height Adjustment:** Typically adjusted via a screw on the lock device.
- **Depth Adjustment:** Adjusted via a screw or lever on the lock device.

- **Side-to-Side Adjustment:** Adjusted via a screw or lever on the lock device.

Consult the specific markings on the lock devices for the exact adjustment points. After making adjustments, ensure all locking mechanisms are secure.

TOUCH® FEATURES

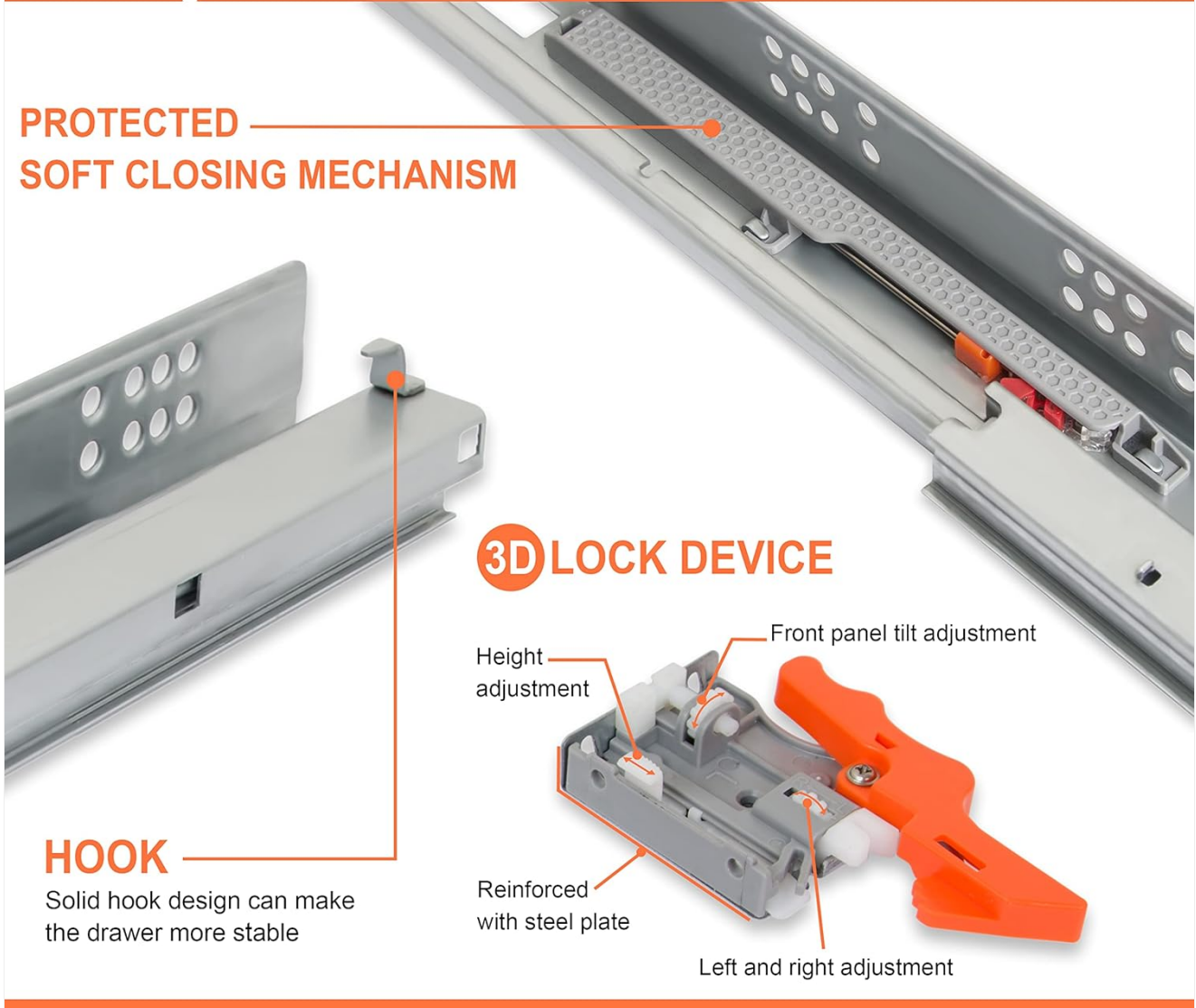


Image: Detailed view of the 3D lock device, showing the various adjustment points for height, front panel tilt, and side-to-side alignment.

MAINTENANCE

These drawer slides require minimal maintenance. Periodically inspect the slides for any debris or dust accumulation. Clean with a dry cloth. Avoid using abrasive cleaners or solvents, as these may damage the finish or internal mechanisms. Lubrication is generally not required for the soft-close mechanism.

TROUBLESHOOTING

- **Drawer not closing smoothly:** Check for obstructions in the slide path. Ensure the soft-close mechanism is engaging correctly. Verify that the drawer is not overloaded (maximum 75 lbs).

- **Drawer not aligning properly:** Use the 3D adjustment features on the lock devices to correct height, depth, or side-to-side alignment.
- **Drawer difficult to open/close:** Ensure all mounting screws are tightened appropriately. Check if the slides are installed level and parallel.
- **Drawer detaches from slides:** Ensure the lock devices are fully engaged with the slides. Re-insert the drawer firmly until a click is heard.

WARRANTY INFORMATION

For specific warranty details and terms, please refer to the manufacturer's official website or contact their customer support directly.

CUSTOMER SUPPORT

If you encounter any issues or have questions not covered in this manual, please contact Touch Cabinets Hardware customer support for assistance.