

[Manuals.plus](#) /

> [uxcell](#) /

> uxcell 13mm Watch Band Pin Instruction Manual

uxcell a21101600ux0003

uxcell 13mm Watch Band Pin Instruction Manual

Model: a21101600ux0003

1. OVERVIEW

The uxcell 13mm Watch Band Pins are high-quality stainless steel spring bars designed for watch repair and maintenance. These pins feature a single flanged end, which facilitates easier installation and removal of watch straps. Each package contains 200 pieces, providing ample supply for various watch band adjustments and replacements.



Image 1.1: A comprehensive view of the 200-piece set of uxcell 13mm watch band pins.

2. PRODUCT FEATURES

- **Size:** These stainless steel spring bar pins are specifically designed to fit 13mm width watch bands.
- **Feature:** The single flange tip design significantly simplifies the process of installation and removal.
- **Application:** Primarily used for adjusting, removing, and replacing watch straps, spring bars, and wrist bands.
- **Convenience:** Enables users to replace watch straps independently at home, eliminating the need for professional watch repair services.

200 Pcs

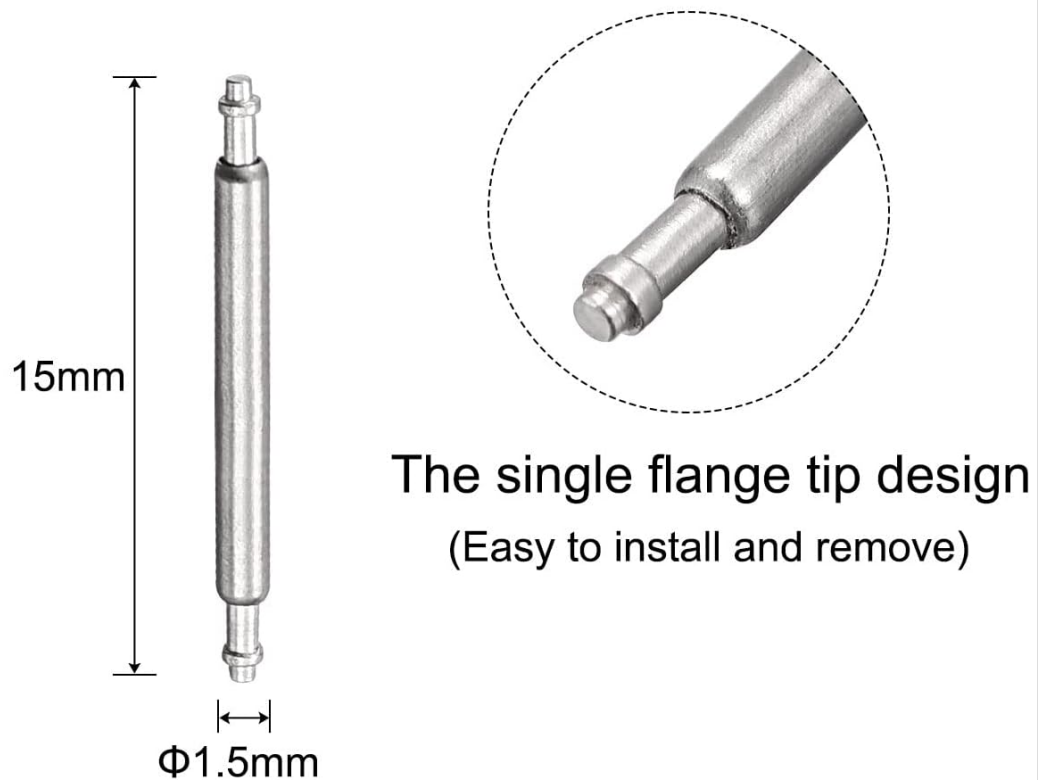


Image 2.1: Detailed diagram illustrating the dimensions and single flange tip design of the spring bar pin.

3. SETUP & INSTALLATION

Before installation, it is crucial to confirm the correct size between your watch lugs to ensure the link pin size matches your watch band or strap. These pins are designed for 13mm width watch bands.

1. Identify the existing spring bar on your watch band.
2. Using a spring bar tool (not included), compress one end of the old spring bar and carefully remove it from the watch lug.
3. Align one end of the new uxcell 13mm spring bar pin into one of the watch lug holes.
4. Using the spring bar tool, compress the other end of the pin and guide it into the opposite watch lug hole. Ensure both ends are securely seated within the lug holes.
5. Gently pull on the watch band to confirm the spring bar is firmly in place and the band is securely attached to the watch case.



Image 3.1: Illustration of a spring bar pin being installed into a watch lug.

► Fit for 13mm width watch bands.

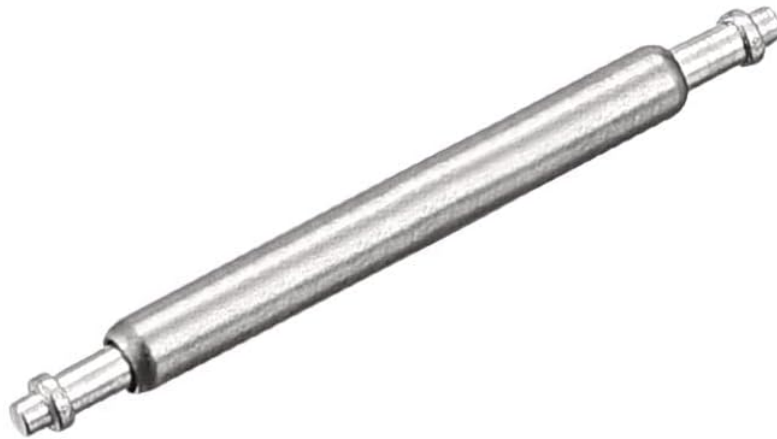


Image 3.2: Confirmation of the 13mm width compatibility for watch bands.

4. OPERATION

These spring bar pins are operational components for watch band attachment. Their primary function is to secure the watch band to the watch case. The single flanged tip allows for easy compression with a spring bar tool, enabling quick removal or installation of the watch band for cleaning, replacement, or adjustment.



Image 4.1: Symbolic representation of watch repair and maintenance using appropriate tools.

5. MAINTENANCE

The uxcell watch band pins are made from SUS316L stainless steel, offering good corrosion resistance. To ensure their longevity and proper function:

- Keep the pins clean and dry.
- Avoid exposure to harsh chemicals or abrasive materials.
- Store unused pins in a dry environment to prevent potential tarnishing or damage.

6. TROUBLESHOOTING

If you encounter issues while using the uxcell watch band pins, consider the following:

- **Pin does not fit:** Ensure you have selected the correct 13mm size for your watch band. Measure the distance between the watch lugs accurately before attempting installation.
- **Difficulty installing/removing:** Confirm you are using an appropriate spring bar tool. The single flange tip is designed for ease of use, but proper tool application is necessary.
- **Pin feels loose:** Double-check that both ends of the spring bar are fully seated within the watch lug holes. A gentle tug on the band should confirm secure attachment.

7. SPECIFICATIONS

Attribute	Detail
Product Name	Watch Band Spring Bars Strap Link Pins
Material	Stainless Steel (SUS316L)
Color	Silver Tone
Pin Length	15mm
Pin Diameter	1.5mm
Package Content	200pcs x Watch Spring Bars
Compatible Watch Band Width	13mm
Item Weight	0.704 ounces
Package Dimensions	5.39 x 3.78 x 0.51 inches
Manufacturer	uxcell
Part Number (Model)	a21101600ux0003

8. WARRANTY & SUPPORT

For any questions regarding the uxcell 13mm Watch Band Pins, or for support with product usage, please refer to the seller's contact information on the purchase platform. Specific warranty details are subject to the retailer's policy at the time of purchase.

