

## Manuals+

[Q & A](#) | [Deep Search](#) | [Upload](#)

manuals.plus /

- › [Technivorm Moccamaster](#) /
- › [Technivorm Moccamaster KBGV 10-Cup Coffee Maker Instruction Manual](#)

## Technivorm Moccamaster 53945

# Technivorm Moccamaster KBGV 10-Cup Coffee Maker Instruction Manual

Model: 53945 | Brand: Technivorm Moccamaster

## INTRODUCTION

The Technivorm Moccamaster KBGV Select coffee maker is designed to brew exceptional coffee with precision and ease. Its selector switch allows for brewing either a half or full carafe, with brewing speed and hotplate temperature automatically adjusting to your selection. The brew basket features an automatic stop function when the carafe is removed, preventing drips. All glass carafe models include an independent heating element to maintain optimal coffee temperature.

This manual provides comprehensive instructions for setting up, operating, and maintaining your coffee maker to ensure years of delicious coffee.

## PRODUCT OVERVIEW



Figure 1: Technivorm Moccamaster KBGV Select 10-Cup Coffee Maker (Red)

This image shows the complete Technivorm Moccamaster KBGV Select coffee maker in red, featuring the water reservoir, brew basket, glass carafe, and control switches on the base.

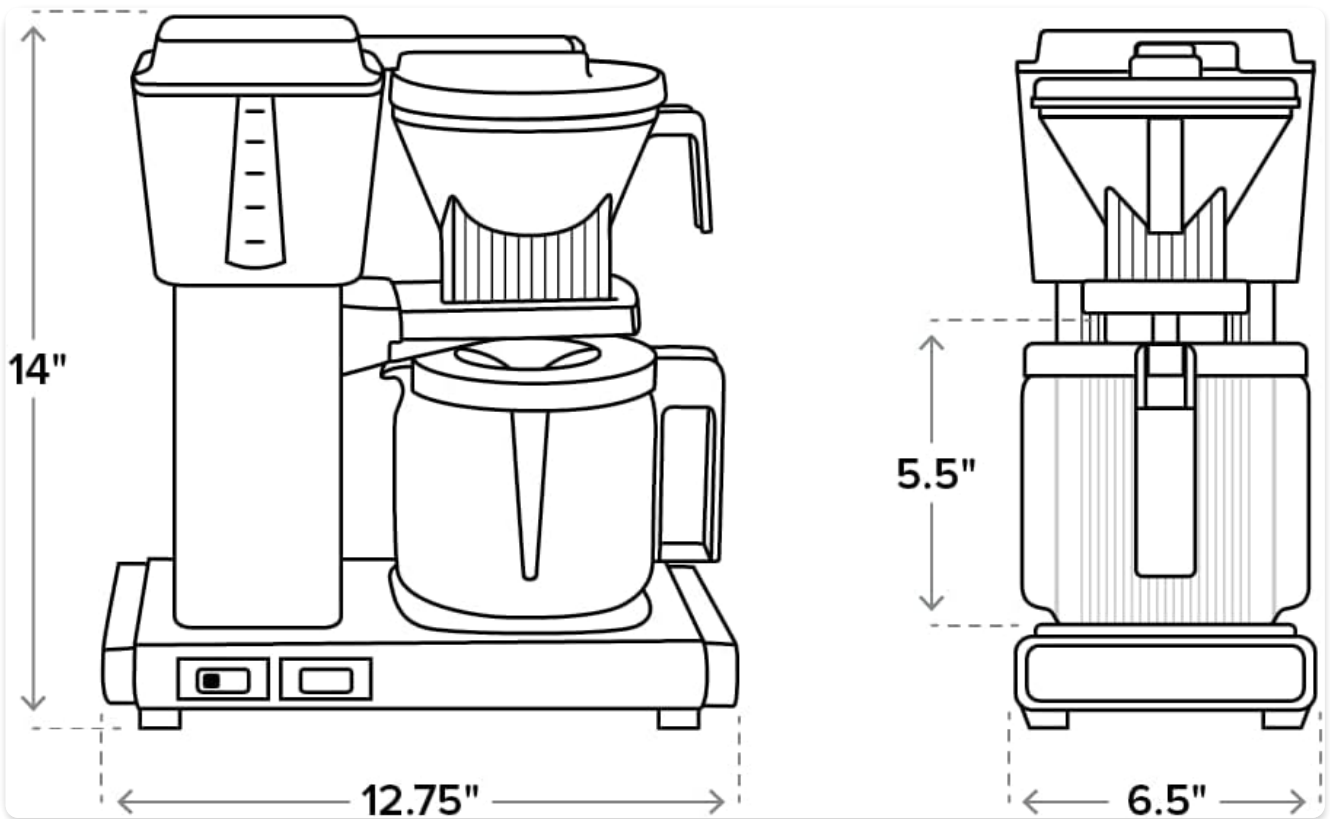


Figure 2: Product Dimensions

A diagram illustrating the dimensions of the coffee maker: 6.5"D x 12.75"W x 14"H.

### Key Features:

- **Brew-Volume Selector:** Switch between brewing a half or full carafe.
- **Optimal Brewing Temperature:** Heats water to the ideal temperature range of 196°F - 205°F for perfect coffee extraction.
- **Automatic Drip-Stop Brew Basket:** Stops coffee flow when the carafe is removed.
- **Hotplate with Independent Heating Element:** Maintains coffee at the perfect temperature.
- **Automatic Shut-Off:** Turns off after 100 minutes for safety and energy saving.
- **Durable Construction:** Features a copper boiling element and high-quality materials for longevity.

## SETUP

### Initial Setup and Cleaning:

Before first use, it is recommended to run 2-3 cycles of plain water through the coffee maker to clean any manufacturing residues. This ensures optimal taste for your first brew.

1. **Unpack Components:** Carefully remove all parts from the packaging. Ensure all components, including the water reservoir, brew basket, glass carafe, and spray arm, are present.
2. **Assemble the Unit:** Place the water reservoir and brew basket securely onto the base. Insert the spray arm into its designated slot above the brew basket.
3. **First Clean Cycle:**
  - Fill the water reservoir with clean, fresh water up to the 10-cup mark.

- Place an empty paper filter (size #4) into the brew basket.
- Ensure the glass carafe is correctly positioned on the hotplate.
- Select the 'Full Carafe' setting using the selector switch on the base.
- Press the power button to start the cycle.
- Allow the cycle to complete. Discard the water and the used filter.
- Repeat this process 1-2 more times.



Figure 3: Filling the Water Reservoir

Water being poured into the clear reservoir of the coffee maker, showing the measurement markings.



Figure 4: Water Spray Arm Detail

A close-up view of the metal spray arm, which evenly distributes hot water over the coffee grounds for optimal extraction.

## OPERATING INSTRUCTIONS

### Brewing Coffee:

1. **Prepare Water:** Fill the water reservoir with fresh, cold water to your desired level (up to 10 cups).
2. **Insert Filter:** Place a size #4 paper filter into the brew basket.
3. **Add Coffee Grounds:** Add your preferred amount of medium-coarse ground coffee to the filter. Technivorm recommends approximately 30g of coffee for 500ml of water.
4. **Position Carafe:** Ensure the glass carafe is placed correctly on the hotplate beneath the brew basket.

5. **Select Brew Volume:** Use the selector switch on the base to choose between 'Half Carafe' or 'Full Carafe' brewing. This adjusts the brewing speed and hotplate temperature accordingly.



Figure 5: Control Switches

A close-up of the power switch and the brew volume selector switch on the coffee maker's base.

6. **Start Brewing:** Press the power button to begin the brewing cycle. The indicator light will illuminate.
7. **Brewing Process:** The coffee maker will heat the water and distribute it evenly over the grounds. Brewing a full 40 oz pot typically takes 4-6 minutes.



Figure 6: Coffee Blooming in Brew Basket

A close-up view of hot water being dispersed over coffee grounds in the filter, illustrating the "blooming" process.

8. **Enjoy Coffee:** Once brewing is complete, the coffee maker will automatically turn off after 100 minutes. You can remove the carafe at any time during or after brewing; the drip-stop feature will prevent spills.

## MAINTENANCE

### Regular Cleaning:

- **Daily Cleaning:** After each use, rinse the brew basket and glass carafe with warm water. These parts are dishwasher safe.
- **Exterior Cleaning:** Wipe the exterior of the coffee maker with a damp cloth. Do not immerse the unit in water.

### Descaling:

To maintain optimal performance and coffee taste, descaling is recommended approximately every 3 months, or

after every 100 brews, depending on water hardness.

- 1. Prepare Descaling Solution:** Use a commercial descaling agent specifically designed for coffee makers. Follow the descaler manufacturer's instructions for dilution. Do not use vinegar, as it can damage the copper heating element.
- 2. Run Descaling Cycle:**
  - Fill the water reservoir with the descaling solution.
  - Place an empty paper filter in the brew basket.
  - Position the empty carafe on the hotplate.
  - Start a full brewing cycle.
  - Allow the cycle to complete, then discard the solution.
- 3. Rinse Cycles:** After descaling, run 2-3 cycles of clean, fresh water through the machine to thoroughly rinse out any remaining descaling solution.

## TROUBLESHOOTING

Problem	Possible Cause	Solution
Coffee not brewing.	No water in reservoir; power not on; carafe not correctly placed.	Fill water reservoir; ensure power switch is on; correctly position carafe.
Coffee tastes weak or watery.	Too little coffee; coffee ground too coarse; machine needs descaling.	Increase coffee amount; use finer grind; descale the machine.
Coffee overflows brew basket.	Coffee ground too fine; too much coffee; filter not properly seated.	Use coarser grind; reduce coffee amount; ensure filter is correctly placed.
Machine not turning on.	Not plugged in; power outage; internal issue.	Check power cord and outlet; check circuit breaker; contact customer support if issue persists.

## SPECIFICATIONS

- **Brand:** Technivorm Moccamaster
- **Model Name:** KBGV Select
- **Item Model Number:** 53945
- **Color:** Red
- **Product Dimensions:** 6.5"D x 12.75"W x 14"H
- **Item Weight:** 6 pounds
- **Coffee Maker Type:** Drip Coffee Machine
- **Filter Type:** Paper (Size #4 cone filters recommended)

- **Coffee Input Type:** Ground Coffee
- **Operation Mode:** Fully Automatic
- **Voltage:** 120V
- **Special Feature:** Auto Shut-Off (after 100 minutes)
- **Included Components:** Coffee Maker, Glass Carafe
- **Manufacture Year:** 2023
- **Origin:** Handmade in the Netherlands

## WARRANTY AND SUPPORT

---

Technivorm Moccamaster coffee brewers come with a 5-year warranty, reflecting their commitment to quality and durability. For warranty claims, technical support, or to purchase replacement parts, please refer to the official Technivorm Moccamaster website or contact their customer service directly.

Visit the official Technivorm Moccamaster Store: [Technivorm Moccamaster Store](#)