



[Manuals.plus](#) /

> [6KU](#) /

> 6KU 3-Wheel Scooter Instruction Manual (Model 85427)

**6KU 85427**

# 6KU 3-Wheel Scooter Instruction Manual

Model: 85427 | Brand: 6KU

## INTRODUCTION

This manual provides essential information for the safe assembly, operation, and maintenance of your 6KU 3-Wheel Scooter. Designed for children aged 3 to 10 years, this scooter features adjustable height, light-up wheels, and a stable three-wheel design to enhance the riding experience.



*Image: Overview of the 6KU 3-Wheel Scooter in various colors, highlighting its design.*

## **SAFETY INFORMATION**

Always prioritize safety when operating the scooter. Adult supervision is recommended, especially for younger riders. Ensure the rider wears appropriate safety gear, including a helmet, knee pads, and elbow pads.

- **Age Range:** Suitable for children aged 3-10 years.
- **Weight Limit:** Maximum user weight is 110 pounds (50 kg).
- **Riding Surface:** Use on smooth, dry, paved surfaces away from traffic. Avoid uneven terrain, sand, gravel, or wet conditions.
- **Footwear:** Always wear closed-toe shoes while riding.

- **Pre-Ride Check:** Before each use, ensure all clamps and fasteners are securely tightened and the wheels are in good condition.

## SETUP

### 1. Assembly

The 6KU scooter features a simple assembly process. The handlebar easily attaches to the deck. Ensure it clicks securely into place.



Image: Labeled components of the 6KU scooter for assembly reference.

### 2. Handlebar Adjustment

The T-bar handlebar is adjustable to accommodate different heights. To adjust:

1. Locate the secure lifting and twisting lock mechanism on the handlebar stem.
2. Loosen the lock.
3. Adjust the handlebar to one of the four available height settings (23 to 30 inches from the ground).  
Ensure the pin snaps into place.
4. Tighten the lock securely.

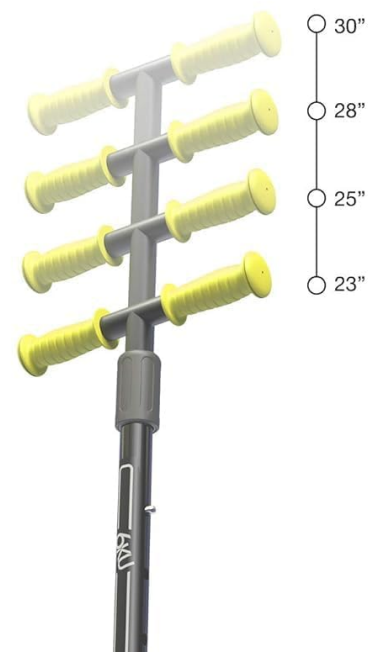
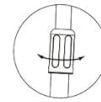


## Adjustable Handle Bar

Design For  
**3-10**  
years old kids

Has  
**4**  
adjustable height  
options

Easy Locking



*Image: Demonstrates the adjustable handlebar feature with height options.*

### 3. Storage (Press-Button Release Design)

For compact storage or transport, the handlebar can be detached from the deck. Press the release button located at the base of the handlebar stem to detach. The handlebar can then be secured to the deck using the integrated strap.

## OPERATING

## 1. Steering

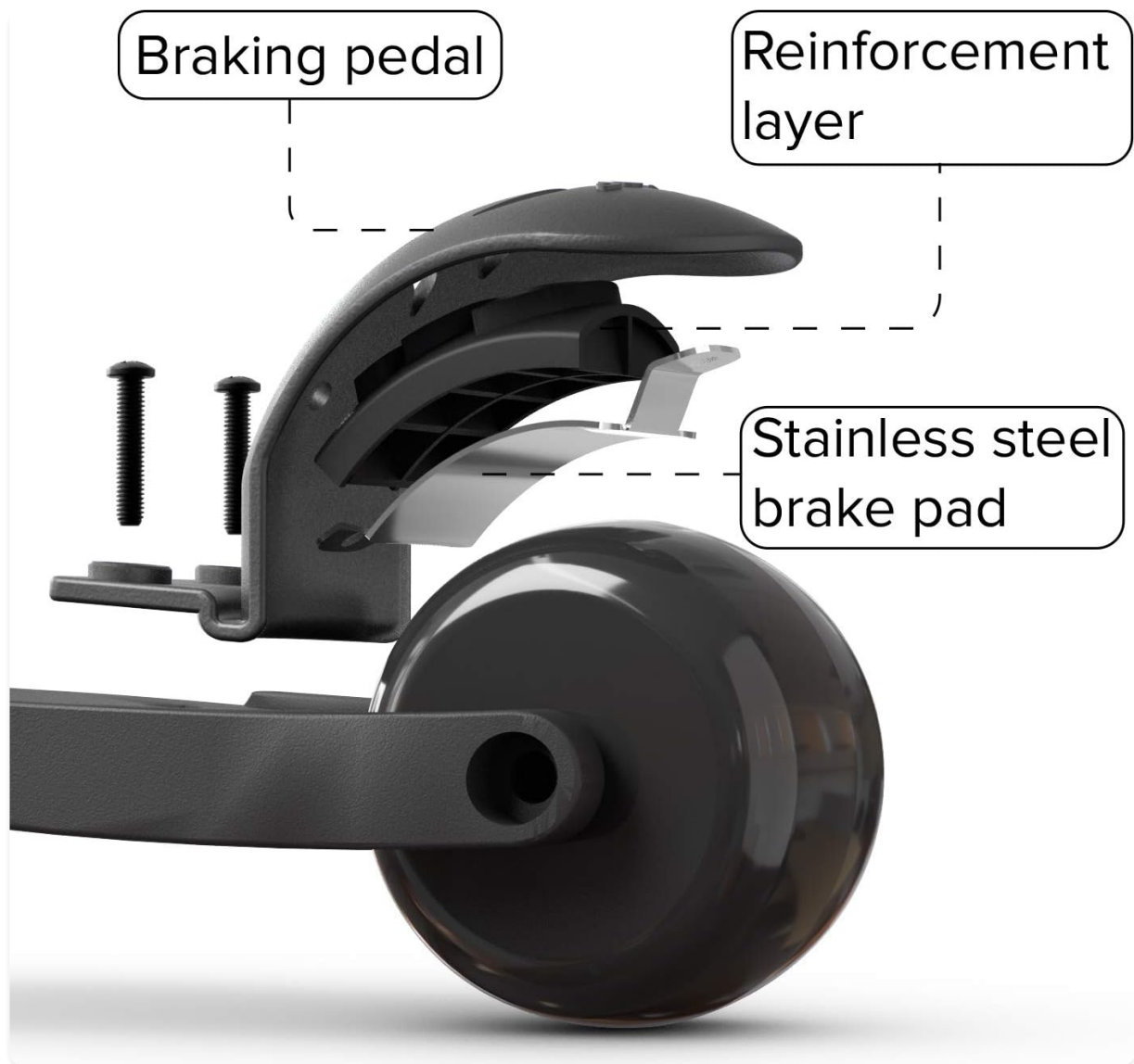
The 6KU scooter utilizes a lean-to-steer mechanism. To turn, simply lean your body in the desired direction. This design enhances stability and is ideal for developing balance skills.



*Image: A child demonstrating the lean-to-steer function of the scooter.*

## 2. Braking

To slow down or stop, apply pressure to the rear brake pedal with your foot. The sturdy stainless steel brake pad ensures effective stopping power.



*Image: Detailed view of the rear braking system.*

### **3. Light-Up Wheels**

The extra-wide PU LED wheels illuminate when the scooter is in motion, providing a fun visual effect and increasing visibility, especially in low-light conditions.



*Image: A child riding the scooter, showcasing the illuminated wheels.*

#### 4. Product Video

Your browser does not support the video tag.

*Video: An official product video from 6KU demonstrating the 3-wheel kick scooter for kids.*

## MAINTENANCE

- **Cleaning:** Wipe the scooter with a damp cloth to remove dirt and debris. Avoid harsh chemicals.
- **Lubrication:** Periodically check and lubricate moving parts, such as wheel bearings, if necessary.
- **Storage:** Store the scooter in a dry place away from direct sunlight and extreme temperatures to prevent material degradation.
- **Inspection:** Regularly inspect the wheels, brakes, and handlebar for any signs of wear, damage, or loose components. Replace worn parts immediately.

## TROUBLESHOOTING

- **Wheels not lighting up:** Ensure the scooter is moving at a sufficient speed for the LED lights to activate. The lights are powered by motion and do not require batteries.
- **Difficulty steering:** Confirm that the lean-to-steer mechanism is functioning correctly and not obstructed. Ensure the handlebar is securely fastened.
- **Brake not effective:** Check the rear brake pad for wear. If worn, it may need replacement. Ensure no debris is obstructing the brake mechanism.

## SPECIFICATIONS

Feature	Detail
Brand	6KU
Model Name	85427
Age Range (Description)	Child (3-10 years)
Weight Limit	110 Pounds
Product Dimensions (LxWxH)	11.6"L x 22.6"W x 30"H
Number of Wheels	3
Wheel Material	Polyurethane (PU)
Wheel Type	LED Flashing PU Wheels
Frame Material	Aluminum
Item Weight	5.3 Pounds
Handlebar Type	Adjustable
Handle Height	23-30 Inches
Brake Style	Rear Braking

## WARRANTY & SUPPORT

The 6KU 3-Wheel Scooter comes with a **2-year manufacturer's warranty**. For warranty claims, product support, or additional information, please visit the official 6KU store or contact customer service.

Visit the [6KU Store](#) for more products and support.

