

PIONEER TS-1602IN

Pioneer TS-1602IN 6-inch 2-Way Coaxial Car Speaker Instruction Manual

Model: TS-1602IN

1. INTRODUCTION

This instruction manual provides detailed guidance for the proper installation, operation, and maintenance of your Pioneer TS-1602IN 6-inch 2-Way Coaxial Car Speakers. To ensure optimal performance and longevity of your speakers, please read this manual thoroughly before installation and retain it for future reference.

2. PRODUCT OVERVIEW

2.1 Key Features

- Pioneer TS-1602IN 2-Way Coaxial Speaker design.
- Woofer Cone material: High rigid IMPP (Injection Molded Polypropylene) Cone for robust bass response.
- Lightweight elastic polymer surround material for enhanced durability and sound quality.
- Tweeter Type: Dome Diaphragm material made of Polyimide for clear high-frequency reproduction.
- Speaker Size: 6 inch (16 cm) diameter.
- Maximum Output Power: 350 Watts.
- Impedance: 4 Ohm.
- Frequency Response: Up to 35 KHz.

2.2 What's in the Box

Upon unpacking, please verify that all the following components are included:

- 2 x Cone Speakers for Car Stereo
- 1 x Cord Assembly
- 1 x Screw Assembly

- 1 x Warranty Card



Image 1: Front view of the Pioneer TS-1602IN 6-inch 2-Way Coaxial Car Speaker.

3. INSTALLATION

Proper installation is crucial for optimal sound performance and speaker longevity. If you are unsure about any step, it is recommended to seek professional assistance.

3.1 Safety Precautions

- Disconnect the vehicle's battery before starting any electrical work to prevent short circuits.
- Wear appropriate safety gear, including eye protection.
- Ensure all wiring is correctly routed and secured to prevent damage or interference.
- Do not obstruct any vehicle safety features (e.g., airbags).

3.2 Mounting Dimensions

- **Mounting Depth:** 53 mm
- **Cutout Hole Diameter:** 128 mm
- **Overall Dimensions (Diameter x Depth):** Φ 159 mm x 70.2 mm
- **Weight per speaker:** Approximately 0.64 kg

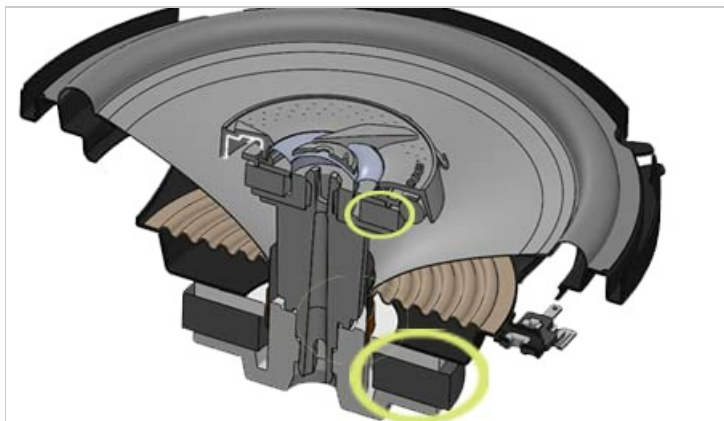


Image 2: Diagram illustrating the speaker's internal structure and key dimensions for installation.

3.3 Wiring Connections

1. Identify the positive (+) and negative (-) terminals on your car's speaker wiring and on the Pioneer TS-1602IN speakers.

2. Connect the positive terminal of the speaker to the positive wire from your car stereo/amplifier.
3. Connect the negative terminal of the speaker to the negative wire from your car stereo/amplifier.
4. Ensure all connections are secure and insulated to prevent short circuits.



Image 3: Rear view of the speaker showing wiring terminals for connection.

4. OPERATING INSTRUCTIONS

Once installed, your Pioneer TS-1602IN speakers will operate in conjunction with your car's audio system.

1. Ensure your car stereo or head unit is properly connected and powered on.
2. Select your desired audio source (radio, CD, USB, Bluetooth, etc.).
3. Adjust the volume to a comfortable listening level. Avoid excessively high volumes for prolonged periods to prevent speaker damage.
4. Utilize your car stereo's equalizer and sound settings to fine-tune the audio output to your preference.



Image 4: Close-up view of the speaker's IMPP cone and elastic polymer surround, designed for clear audio reproduction.

5. MAINTENANCE

Regular maintenance helps preserve the sound quality and extend the lifespan of your speakers.

- **Cleaning:** Gently wipe the speaker grilles and cones with a soft, dry cloth. Avoid using harsh chemicals or abrasive cleaners.
- **Protection:** Ensure speakers are protected from direct sunlight, extreme temperatures, and moisture.
- **Volume Control:** Do not consistently operate speakers at maximum volume, as this can lead to distortion and damage.

- **Inspection:** Periodically check wiring connections for looseness or corrosion.



Image 5: Detailed view of the Polyimide dome tweeter, responsible for high-frequency sound reproduction.

6. TROUBLESHOOTING

If you encounter issues with your speakers, refer to the following common problems and solutions.

Problem	Possible Cause	Solution
No Sound	Loose or incorrect wiring. Car stereo/amplifier off or muted. Faulty audio source.	Check all speaker connections. Ensure stereo/amplifier is on and volume is up. Test with a different audio source.
Distorted Sound	Volume too high. Incorrect equalizer settings. Damaged speaker cone/surround.	Reduce volume. Adjust equalizer settings. Inspect speakers for physical damage.
Intermittent Sound	Loose wiring connection. Interference.	Secure all wiring connections. Check for nearby electrical interference.

7. SPECIFICATIONS

Feature	Specification
Model Name	TS-1602IN
Speaker Type	Coaxial, 2-Way
Speaker Size	6 inch (16 Centimetres)
Woofer Cone Material	High rigid IMPP Cone

Feature	Specification
Surround Material	Light weight elastic polymer
Tweeter Type	Dome
Tweeter Diaphragm Material	Polyimide
Maximum Output Power	350 Watts
Impedance	4 Ohm
Frequency Response	Up to 35 KHz
Mounting Depth	53 mm
Cutout Hole Diameter	128 mm
Product Dimensions (D x W x H)	16D x 16W x 6.1H Centimeters
Item Weight (per speaker)	Approximately 0.64 kg (Total 1.3 kg for 2 speakers)
Power Source	DC
Connectivity Technology	Coaxial
Manufacturer	Pioneer India Electronics Ltd
Country of Origin	China

8. WARRANTY AND SUPPORT

8.1 Warranty Information

Your Pioneer TS-1602IN speakers come with a warranty card included in the packaging. Please refer to this card for specific warranty terms, conditions, and duration. Retain your proof of purchase for warranty claims.

8.2 Customer Support

For technical assistance, service, or warranty inquiries, please contact Pioneer customer support. Contact details can typically be found on the warranty card or the official Pioneer website.