

Perlegear PGLF10-E

Perlegear PGLF16 Full Motion TV Wall Mount User Manual

Model: PGLF10-E | Brand: Perlegear

1. INTRODUCTION

Thank you for choosing the Perlegear PGLF16 Full Motion TV Wall Mount. This manual provides essential information for safe installation, operation, and maintenance of your TV mount. Please read this manual thoroughly before installation and keep it for future reference.

Safety Precautions

- Do not install on drywall alone. This mount is designed for solid concrete walls, brick walls, or wood studs.
- Ensure the wall structure can safely support the combined weight of the mount and your TV.
- Always use appropriate safety gear during installation.
- If you are unsure about any part of the installation process, seek professional assistance.
- Keep children and pets away during installation.

2. PRODUCT FEATURES

- **Enhanced High-Strength Steel:** Offers 50% increased strength for unparalleled stability, supporting TVs up to 68 kg (150 lbs).
- **Wide Compatibility:** Fits 42" to 90" TVs with VESA patterns from 200x100mm to 600x400mm.
- **Full Motion Flexibility:**
 - Swivel: +/-65° for optimal viewing angles.
 - Tilt: +5° to -15° tool-free adjustment to reduce glare.
 - Extension: Extends up to 55.9 cm (22 inches) from the wall and retracts to 7.3 cm (2.9 inches) to save space.
- **Easy Installation:** Pre-assembled front support reduces installation steps by 30%. Includes a drilling template and clearly labeled parts.
- **Post-Installation Leveling:** Allows for +/-3° rotation adjustment after mounting for perfect leveling.



Image: The Perlegear PGLF16 Full Motion TV Wall Mount, showcasing its robust design and articulating arms.

Upgraded High-Strength Steel

Enhanced Strength

50% 



Image: Close-up view highlighting the upgraded high-strength steel construction and UL certification, indicating enhanced durability and safety.

3. PACKAGE CONTENTS

Please verify that all parts are present and undamaged before beginning installation. If any parts are missing or damaged, contact customer support.

- Wall Plate Assembly (Pre-assembled)
- TV Brackets (2x)
- Mounting Hardware Kit (various screws, washers, spacers for TV and wall)
- Drilling Template
- Bubble Level
- Cable Ties (Perlegear branded)
- Instruction Manual

4. SPECIFICATIONS

Specification	Detail
Brand	Perlegear
Model Number	PGLF10-E
Color	Black
Material	Alloy Steel
Mounting Type	Wall Mount
Movement Type	Articulating (Full Motion)
Compatible TV Sizes	42" to 90" (106.7 cm to 228.6 cm)
Maximum Weight Capacity	68 kg (150 lbs)
VESA Compatibility	200x100mm to 600x400mm
Tilt Angle	+5° to -15°
Swivel Angle	+/-65°
Extension from Wall	7.3 cm (2.9 in) to 55.9 cm (22 in)

Wide Compatibility

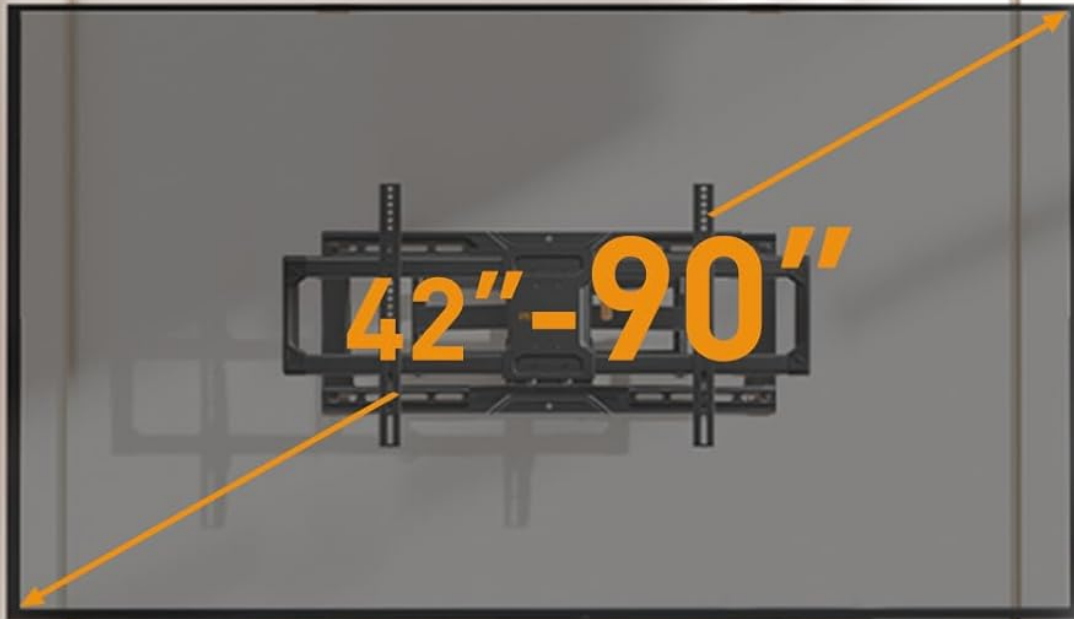
Concrete Walls



Brick Walls



Wood Stud



VESA Patterns

600x400mm / 500x400mm / 400x400mm
400x300mm / 400x200mm / 300x300mm
300x200mm / 200x400mm / 200x300mm
200x200mm / 200x100mm

Image: Diagram illustrating the wide compatibility of the mount with various wall types (concrete, brick, wood stud) and supported TV sizes (42"-90") and VESA patterns.

Superior Stability for Large TVs



Image: Visual representation emphasizing the mount's superior stability, capable of holding large TVs weighing up to 68 kg.

5. INSTALLATION GUIDE

This section outlines the steps for installing your Perlegear TV wall mount. It is recommended to have two people for

installation.

Tools Required (Not Included)

- Pencil
- Stud Finder (for wood stud installation)
- Electric Drill
- Socket Wrench
- Phillips Head Screwdriver
- Hammer (for concrete/brick anchors)

Installation Steps

1. Prepare the Wall:

Identify the type of wall (wood stud, concrete, or brick). **Do not install on drywall alone.** Use a stud finder to locate the center of wood studs if applicable. Mark the desired mounting height on the wall.

2. Attach the Drilling Template:

Use the provided drilling template to mark the pilot hole locations on the wall. Ensure the template is level using the included bubble level.



Image: Illustration of using the drilling template and a level to mark precise hole locations on the wall for installation.

3. Drill Pilot Holes:

Drill pilot holes at the marked locations. The drill bit size will depend on your wall type and the hardware used. For concrete/brick, insert wall anchors.

4. Mount the Wall Plate:

Align the pre-assembled wall plate with the pilot holes and secure it to the wall using the appropriate lag bolts and washers from the hardware kit. Tighten all bolts firmly.

5. Attach TV Brackets to TV:

Carefully place your TV face down on a soft, clean surface. Attach the two TV brackets to the back of your TV using the correct screws, washers, and spacers from the hardware kit that match your TV's VESA pattern. Ensure the brackets are centered and securely fastened.

6. Hang the TV:

With assistance, carefully lift the TV and hook the TV brackets onto the wall plate. Ensure the TV is securely seated on the mount. Engage any safety locks or screws on the brackets to prevent accidental dislodgement.

Ready-to-Mount Design

Reduces installation steps by **30%**



Image: The pre-assembled wall mount, demonstrating its "Ready-to-Mount" design which simplifies the installation process.

6. OPERATING INSTRUCTIONS

Once installed, your Perlegear TV mount offers various adjustments for optimal viewing.

Adjusting Swivel

Gently pull the TV away from the wall and pivot it left or right to achieve your desired viewing angle. The mount allows for a $\pm 65^\circ$ swivel range.

Adjusting Tilt

To adjust the vertical tilt, locate the tilt knobs on the TV brackets. Loosen the knobs, tilt the TV to your preferred angle ($+5^\circ$ to -15°), and then tighten the knobs to secure the position. This adjustment helps reduce glare from lights or windows.



Image: Visual guide demonstrating the swivel, extension, retraction, and tool-free tilt capabilities of the TV mount.

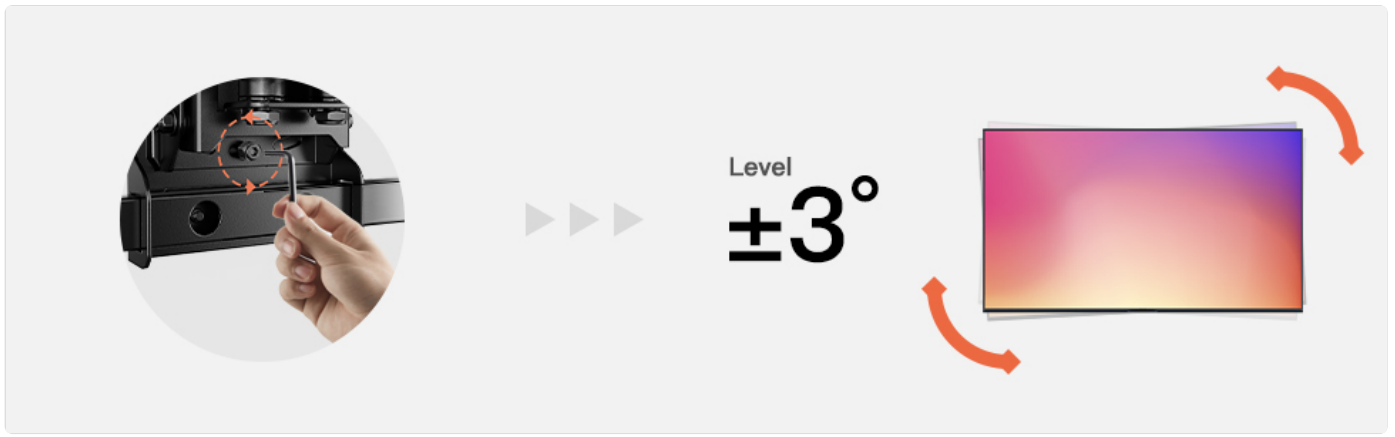


Image: Close-up showing the mechanism for adjusting the tilt angle of the TV mount, allowing for +/-10 degrees of inclination.

Extending and Retracting

Pull the TV gently forward to extend it from the wall, or push it back towards the wall to retract it. The mount can extend up to 55.9 cm (22 inches) and retract to 7.3 cm (2.9 inches).

Post-Installation Leveling

If your TV is not perfectly level after installation, you can make a fine adjustment of +/-3° rotation. Locate the leveling screws on the TV brackets and adjust as needed to achieve a perfectly horizontal screen.



Image: Diagram illustrating the +/-3 degree post-installation leveling adjustment feature.

7. MAINTENANCE

- Periodically check all screws and connections to ensure they remain tight and secure.
- Clean the mount with a soft, dry cloth. Avoid abrasive cleaners or solvents.
- Do not apply lubricants to the moving parts unless specifically instructed by the manufacturer.
- Inspect the mount for any signs of wear or damage. If any issues are found, discontinue use and contact customer support.

8. TROUBLESHOOTING

Problem	Possible Cause	Solution
---------	----------------	----------

TV is not level after installation.	Minor misalignment during installation.	Use the post-installation leveling feature (+/-3° rotation) to adjust the TV.
Mount feels loose or wobbly.	Wall plate not securely fastened or TV brackets not tightened.	Ensure all lag bolts securing the wall plate are tight. Check that the TV brackets are securely attached to the TV and locked onto the wall plate.
Difficulty adjusting tilt/swivel.	Tilt knobs are too tight or mechanism is stiff.	Loosen tilt knobs before adjusting. The mount is designed to be sturdy, so some resistance is normal. Do not force adjustments.
Missing parts from package.	Packaging error.	Contact Perlegear customer support immediately with your purchase details.

9. WARRANTY AND SUPPORT

Perlegear is committed to providing high-quality products and excellent customer service.

For any questions regarding mounting, product selection, or assistance with your Perlegear TV wall mount, please contact our dedicated customer service team. We are here to help make your experience as smooth and hassle-free as possible. Please refer to your purchase documentation or the Perlegear official website for specific warranty terms and contact information.