

Manuals.plus /

› XIAOGUANG /

› XIAOGUANG Universal Car Keyless Entry System with Remote Control and APP (Model B63TW-AB) Instruction Manual

XIAOGUANG B63TW-AB

XIAOGUANG Universal Car Keyless Entry System (Model B63TW-AB) Instruction Manual

INTRODUCTION

This manual provides detailed instructions for the installation, operation, and maintenance of your XIAOGUANG Universal Car Keyless Entry System, Model B63TW-AB. This system enhances vehicle security and convenience through remote control and mobile application functionalities. Please read this manual thoroughly before installation and use to ensure proper function and safety.



Image: The complete XIAOGUANG Universal Car Keyless Entry System, featuring the main control unit with wiring, two remote key fobs, and a smartphone screen illustrating the car alarm application interface.

SAFETY INFORMATION

- Professional installation is recommended for the main control unit and wiring to ensure correct functionality and prevent damage to the vehicle's electrical system.
- Ensure the vehicle's ignition is off and the battery is disconnected before performing any wiring.
- Keep remote controls and the main unit away from water and extreme temperatures.
- The remote control does not include batteries. Purchase CR2016 batteries separately.

PACKAGE CONTENTS

Please verify that all items are present in your package:

- 1 x Main Control Unit
- 2 x Remote Controls (batteries not included)
- 1 x Wiring Harness
- 1 x User Manual (this document)

SETUP

1. Remote Control Battery Installation

The remote controls require CR2016 batteries (not included). Follow these steps to install them:

1. Carefully pry open the remote control casing.
2. Locate the battery compartment.
3. Insert a CR2016 battery with the positive (+) side facing up.
4. Close the remote control casing securely.

Remote control battery disassembly and installation method



Image: A visual guide demonstrating the process of opening the remote control, inserting a CR2016 battery, and reassembling the unit.

2. Product Wiring Diagram

Refer to the diagram below for proper wiring connections. It is highly recommended that a qualified technician performs the installation.

Product wiring diagram

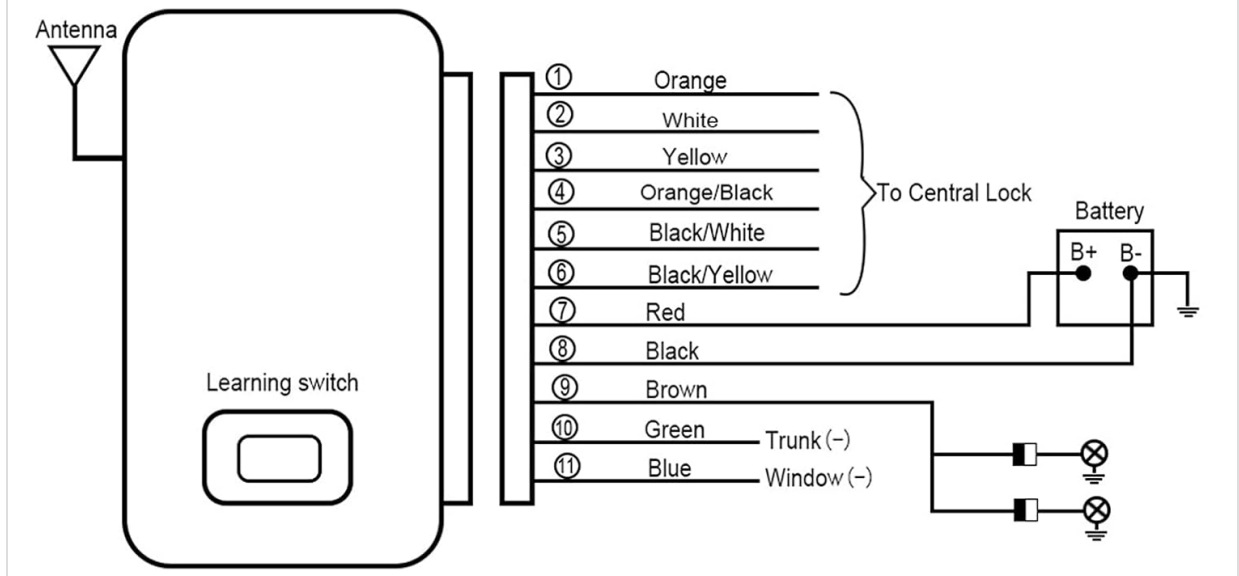


Image: Detailed wiring diagram illustrating the connections from the main control unit to the vehicle's central lock, battery (B+ and B-), trunk release, and window control. The diagram also shows the antenna and learning switch on the control unit.

3. APP Installation and Pairing

To utilize the mobile application features, follow these steps:

1. Download the designated APP after the alarm system is professionally installed in your vehicle.
2. Open the APP and navigate to the settings menu. Look for a 'Learning Code' or 'Pairing' option.
3. Tap the 'Learning Code' button within the APP.
4. Simultaneously press the 'Unlock' and 'Lock' buttons on one of your physical remote controls.
5. The APP should confirm successful pairing. You can now control your car using your mobile phone.

OPERATION

1. Remote Control Functions

- **Lock:** Press the lock button to secure all vehicle doors.
- **Unlock:** Press the unlock button to open all vehicle doors.
- **Trunk Release:** Press the trunk release button to open the vehicle's trunk.
- **Car Searching:** Press the car searching button to activate an audible and/or visual signal to locate your vehicle.
- **Window Close:** Press the window close button to automatically roll up vehicle windows (if supported by vehicle and installation).

2. APP Control

Once paired, the mobile application provides similar functionalities to the remote control, allowing you to

lock, unlock, release the trunk, and locate your car directly from your smartphone. Refer to the APP's interface for specific button layouts and additional features.

MAINTENANCE

- Keep the main control unit and remote controls clean and dry.
- Replace remote control batteries annually or when performance degrades.
- Avoid dropping the remote controls or exposing them to strong impacts.
- Periodically check wiring connections for any signs of wear or corrosion (recommended to be done by a professional).

TROUBLESHOOTING

- **System not responding:** Check remote control batteries. Ensure the main unit has power. Verify APP is connected.
- **Remote control range is poor:** Replace remote control batteries. Ensure no strong interference sources are nearby.
- **APP not connecting:** Ensure Bluetooth (if applicable) is enabled on your phone. Re-attempt the APP pairing process.
- **Specific functions not working:** Consult a professional installer to check wiring connections for the affected function.

SPECIFICATIONS

Feature	Specification
Model Number	B63TW-AB
Main Control Unit Dimensions	Approx. 8 cm (Length) x 6.3 cm (Width)
Remote Control Dimensions	Approx. 7 cm (Length) x 2.9 cm (Width)
Remote Control Battery Type	CR2016 (not included)
Item Weight	1 Grams (Control Unit)

Product size



Image: Diagram showing the dimensions of the main control unit, measuring 8cm in length and 6.3cm in width.

Size of remote control



Image: Diagram illustrating the dimensions of the remote control, with a total length of 7cm, a width of 2.9cm, and the main button area measuring 5.5cm in length.

WARRANTY AND SUPPORT

For warranty information or technical support, please contact your retailer or the manufacturer directly. Keep your purchase receipt as proof of purchase.