

AMBITFUL FL-01

AMBITFUL FL-01 Heavy Duty Light Stand with Casters User Manual

Model: FL-01

1. INTRODUCTION

This manual provides detailed instructions for the safe and effective use of your AMBITFUL FL-01 Heavy Duty Light Stand with Casters. Please read this manual thoroughly before assembly and operation to ensure proper functionality and longevity of the product. This light stand is designed for supporting various photographic equipment such as studio lights, softboxes, and strobes, offering adjustable height and mobility for diverse shooting environments.

2. PACKAGE CONTENTS

Verify that all components are present in the package:

- Full Metal Base (Foldable)
- Detachable Central Shaft (2 sections)
- Three Locking Casters
- Lamp Holder Chassis
- 1/4" to 3/8" Reversible Screw Adapter

3. SETUP AND ASSEMBLY

Follow these steps to assemble your light stand:

1. **Expand the Base:** Unfold the metal base until it is fully extended and stable. Ensure the locking mechanisms on the base are engaged.
2. **Install Casters:** Rotate the screw openings on the base and securely attach each of the three locking casters. Ensure they are tightened to prevent wobbling.
3. **Insert Central Shaft:** Insert the detachable central shaft into the base. Rotate the lock knob on the base to secure the shaft firmly in place.
4. **Attach Equipment:** Install your lighting equipment (softbox, light panel, monolight, ring light) onto the 1/4" or 3/8" screw adapter at the top of the central shaft. Tighten the knob to secure the equipment.

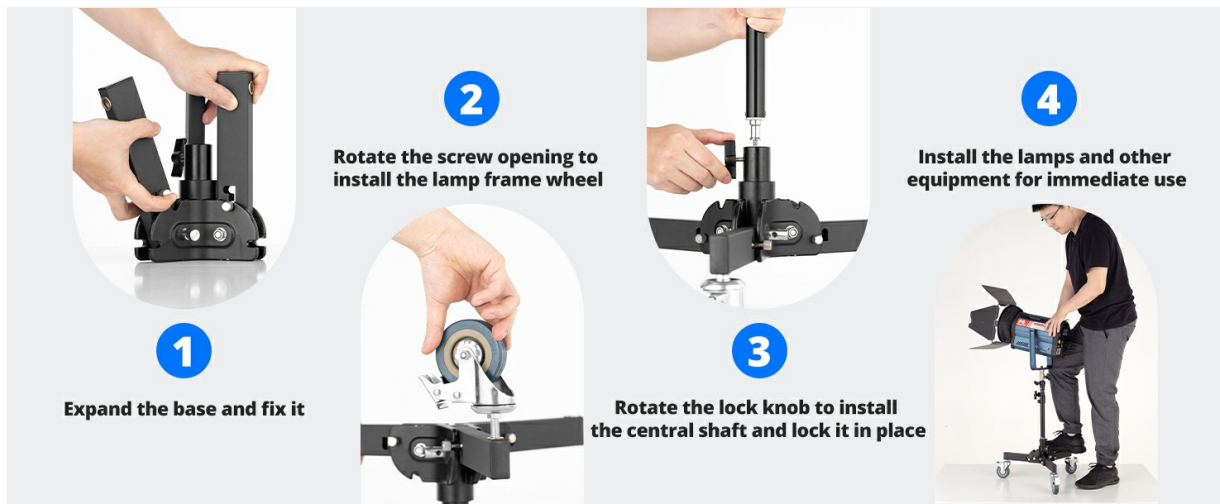


Figure 3.1: Step-by-step assembly of the light stand.

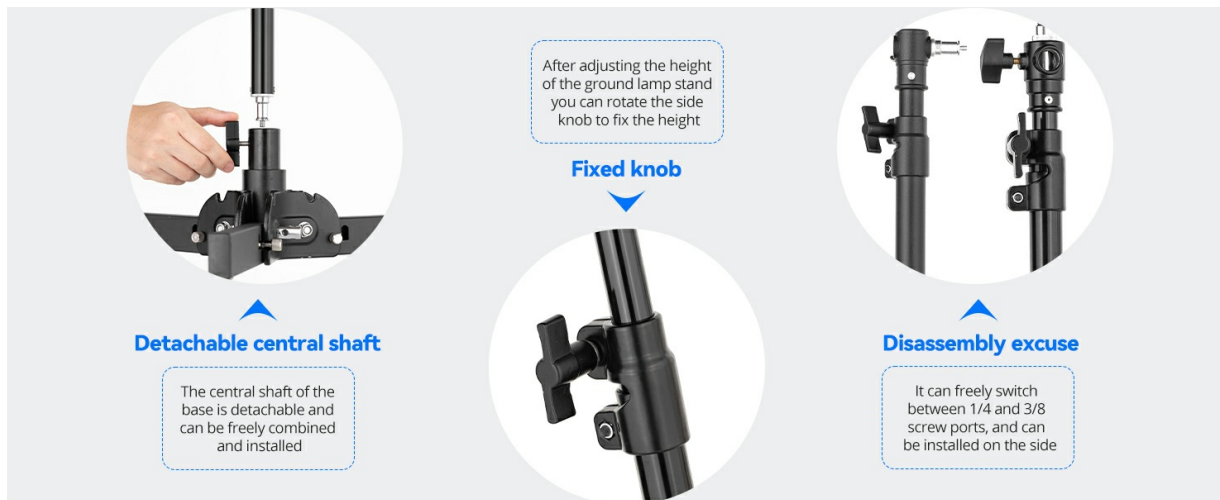


Figure 3.2: Detachable central shaft and fixed knob for height adjustment.

Video 3.1: Demonstration of folding and unfolding the AMBITFUL light stand base and wheels.

Video 3.2: Overview of the sturdy folding design and features of the AMBITFUL light stand.

4. OPERATING INSTRUCTIONS

The AMBITFUL FL-01 light stand offers versatile adjustments for various photography needs.

4.1 Height Adjustment

The 2-section central column allows height adjustment from 14.5 to 22.8 inches (37-58cm) for the column itself, providing a total height range of 21 to 31.9 inches (61-81cm) when fully assembled. To adjust the height:

1. Loosen the fixed knob on the central shaft.
2. Extend or retract the shaft to the desired height.
3. Tighten the fixed knob securely to lock the height.

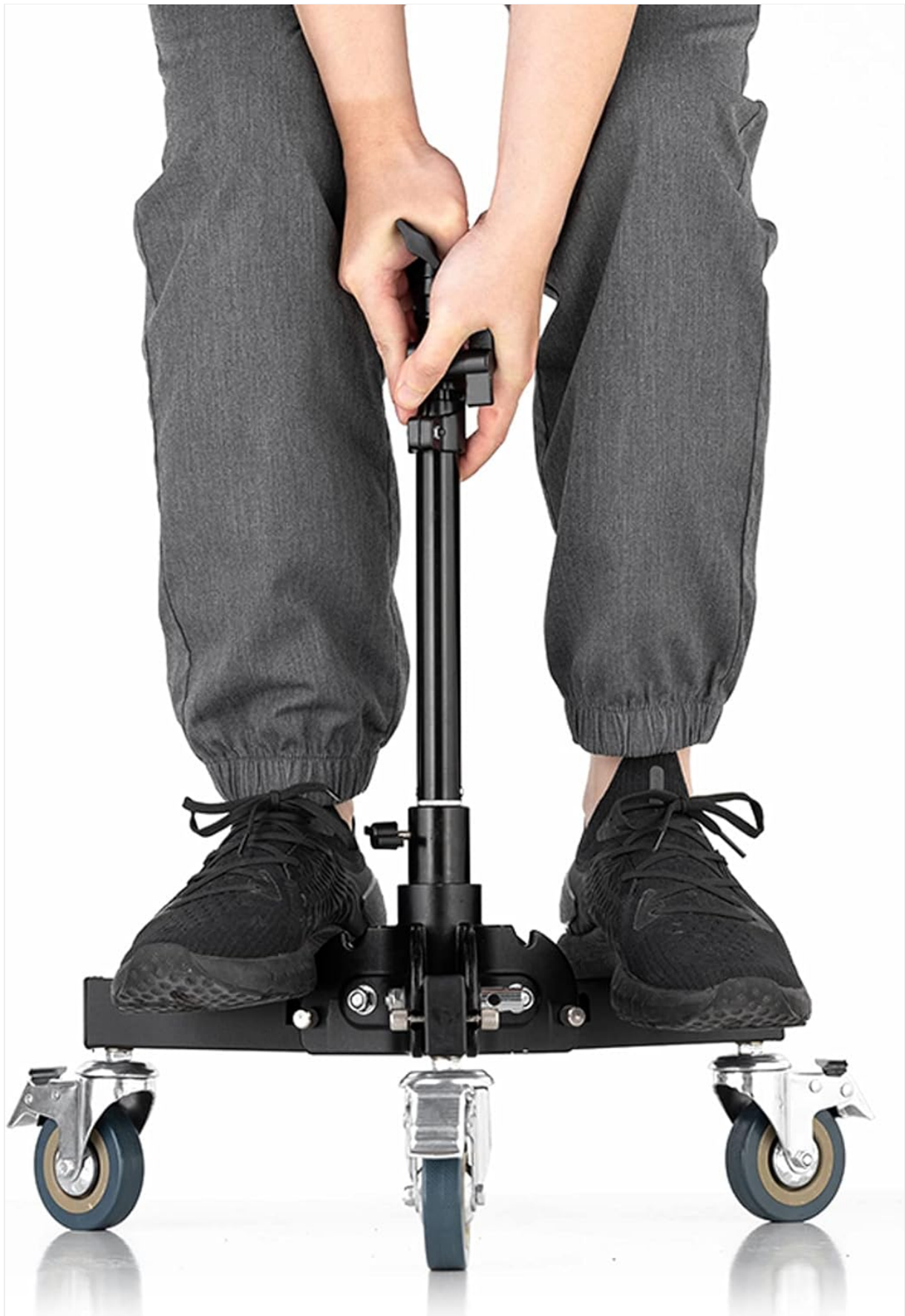


Figure 4.1: Adjusting the height of the light stand.

4.2 Equipment Mounting

The stand features a detachable dual-threaded screw (1/4" to 3/8") on the tip, ensuring compatibility with a wide range of photographic equipment.

- **Top Mounting:** Attach softboxes, single lights, strobes, or other accessories directly to the top screw.

- **Side Mounting:** The three-way adjustable bracket head supports left and right mounting of video lights or other lighting equipment for flexible positioning.



Figure 4.2: Wide compatibility with various photography equipment.



Figure 4.3: Double-head universal interface for diverse equipment.

4.3 Mobility and Stability

The three swivel casters allow for smooth movement of the stand. Each caster includes a lock for secure positioning.

- To move the stand, ensure all caster locks are disengaged.
- To secure the stand in place, press down on the lever of each caster to engage the lock.

The central axis is detachable It can extend and retract freely, reaching a height of 81cm

The central axis thickened pipe wall can be adjusted in height to meet different needs



Figure 4.4: Brake light frame wheel for secure positioning.

5. MAINTENANCE

To ensure the longevity and optimal performance of your AMBITFUL FL-01 light stand, follow these maintenance guidelines:

- **Cleaning:** Wipe down the metal parts with a soft, dry cloth. For stubborn dirt, use a slightly damp cloth and dry immediately. Avoid abrasive cleaners or solvents.
- **Lubrication:** Periodically check the moving parts, especially the castor wheels and height adjustment mechanisms. Apply a small amount of silicone-based lubricant if movement becomes stiff.
- **Storage:** When not in use, fold the stand and store it in a dry, dust-free environment. The quick-fold structure and detachable central column make it space-saving for storage and transport.
- **Inspection:** Regularly inspect all screws, knobs, and locking mechanisms for tightness. Tighten any loose components to maintain stability.

6. TROUBLESHOOTING

If you encounter issues with your light stand, refer to the following common problems and solutions:

Problem	Possible Cause	Solution
Stand is unstable or wobbles.	Loose connections; uneven surface; overloaded.	Ensure all knobs and screws are tightened. Place on a flat, stable surface. Do not exceed the maximum load capacity of 22 lbs (10 kg).

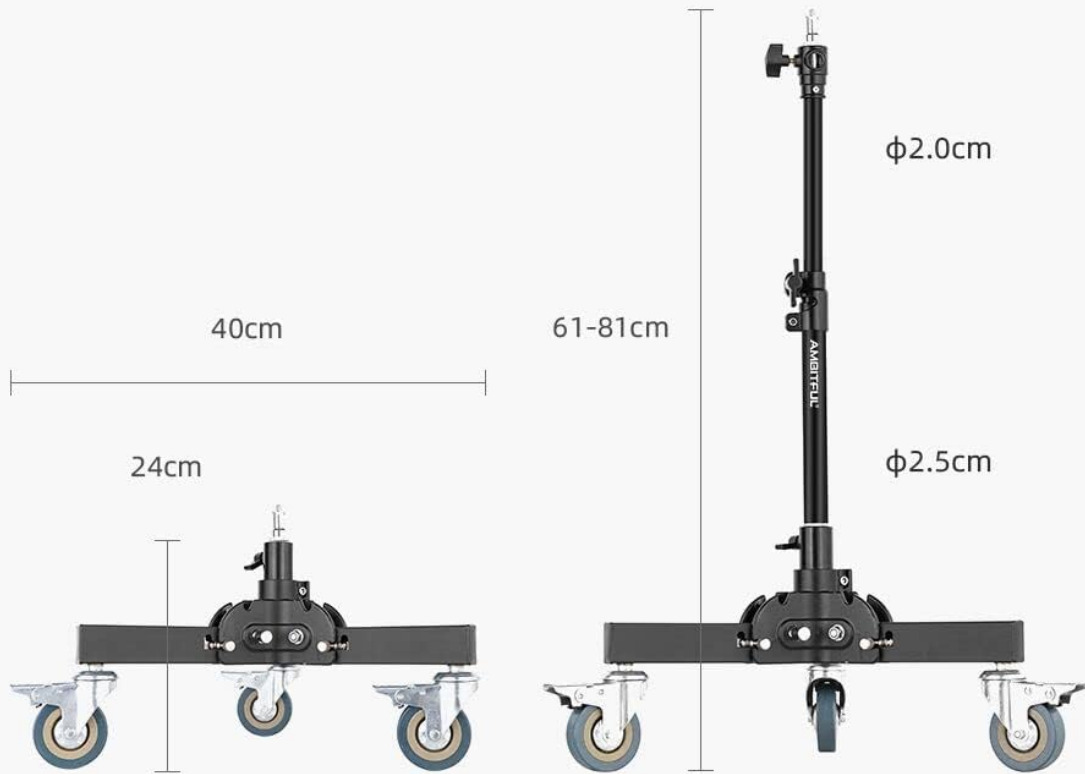
Problem	Possible Cause	Solution
Height adjustment is difficult.	Knob is too tight; dirt in the shaft; lack of lubrication.	Loosen the knob sufficiently. Clean the central shaft. Apply a small amount of silicone lubricant if needed.
Casters do not roll smoothly or lock.	Dirt in wheels; caster lock mechanism obstructed.	Clean casters of any debris. Ensure the lock mechanism is clear and functioning correctly.
Equipment does not attach securely.	Incorrect screw size; screw adapter not tightened.	Verify equipment uses 1/4" or 3/8" thread. Ensure the reversible screw adapter is correctly installed and tightened.

7. SPECIFICATIONS

Detailed technical specifications for the AMBITFUL FL-01 Heavy Duty Light Stand:

Feature	Detail
Model Number	FL-01
Material	Aluminum Alloy / Metal
Adjustable Height Range	21 - 31.9 inches (61 - 81 cm)
Center Column Adjustment	14.5 - 22.8 inches (37 - 58 cm)
Maximum Load Capacity	22 lbs (10 kg)
Screw Compatibility	1/4" and 3/8" (detachable dual-threaded)
Base Type	Reinforced Metal Base, Foldable
Casters	3 Swivel Casters with Locks
Item Weight	3.61 Kilograms
Product Dimensions (Folded)	0.79"D x 4.53"W x 2.56"H (approximate, based on general product dimensions)

Product Size



Product Details

Model	Photography folding floor light stand
Material	Aluminum alloy/metal
Pipe diameter	$\phi 2.5$ $\phi 2\text{cm}$
Expanded width	40cm
Telescopic range	24cm/61-81cm
Foot tube	20x4.5x2cm
Weight	3.61kg

Figure 7.1: Product dimensions and specifications.

8. WARRANTY AND SUPPORT

AMBIFUL products are manufactured with quality and reliability in mind. For specific warranty information and customer support, please refer to the documentation included with your purchase or contact AMBIFUL customer service directly through their official website or the retailer where the product was purchased. Keep your proof of purchase for warranty claims.

