

Manuals.plus /

› **TRIBECCO** /

› **TRIBECCO Square Swing Connector 90/90 mm (100°, Red) Instruction Manual**

TRIBECCO LHK

TRIBECCO Square Swing Connector 90/90 mm (100°, Red) Instruction Manual

Model: LHK

1. INTRODUCTION

This instruction manual provides essential information for the safe and correct assembly, operation, and maintenance of your TRIBECCO Square Swing Connector. Please read this manual thoroughly before installation and retain it for future reference.

The TRIBECCO swing connector is designed for constructing stable garden swing frames using 90x90 mm square wooden posts, forming a 100-degree angle for the A-frame legs. It is made from durable, powder-coated steel to ensure longevity and resistance to outdoor elements.

2. SAFETY INSTRUCTIONS

- Always ensure all bolts and screws are tightened securely during assembly.
- Regularly inspect the swing connector and the entire swing structure for any signs of wear, damage, or loose connections. Tighten screws as needed.
- Use only appropriate tools for assembly to prevent damage to the connector or injury.
- Ensure the ground where the swing is installed is level and stable. Consider using ground anchors for added stability.
- Keep children away from the assembly area until the swing structure is fully completed and secured.
- This connector is designed for square wooden posts of 90x90 mm. Do not use with other dimensions or materials.

3. PRODUCT OVERVIEW

The TRIBECCO Square Swing Connector is a robust component for building safe and durable garden swing sets. Its design ensures a stable triangular frame for swing legs.

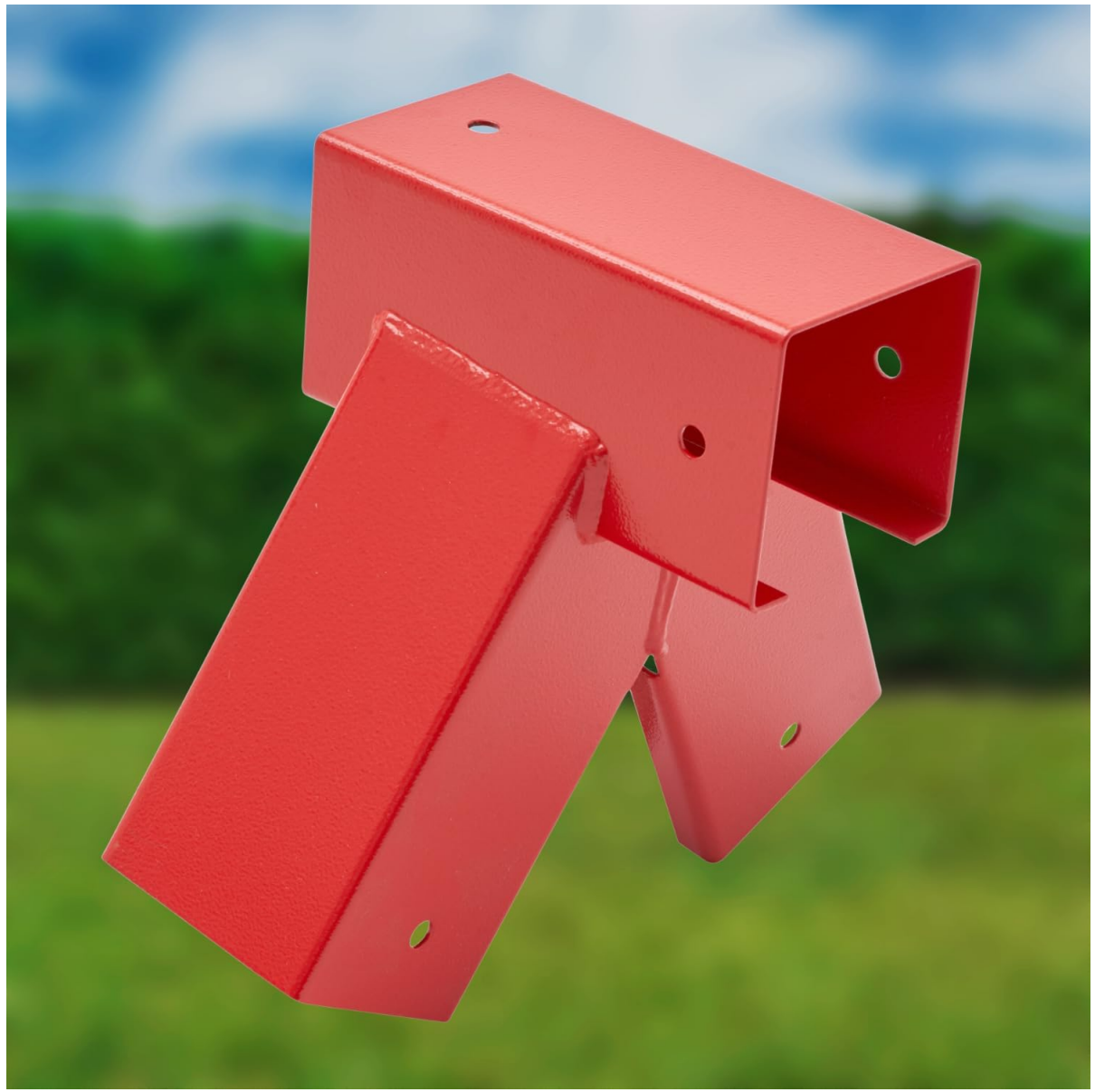


Image 1: Close-up of the TRIBECCO Square Swing Connector, showcasing its red powder-coated finish and sturdy construction.

Key features include:

- **Durable Construction:** Made from solid S235 steel sheet with a 2 mm wall thickness, offering high tear resistance and robustness.
- **Weather-Resistant Coating:** Powder-coated finish protects against rust, corrosion, moisture, and weathering, ensuring a long service life.
- **Precise Fit:** Semi-open connector design allows for millimeter-precise adjustment to wooden post dimensions.
- **Strong Welds:** Carefully executed welds can withstand high mechanical loads, suitable for single and double swing structures.

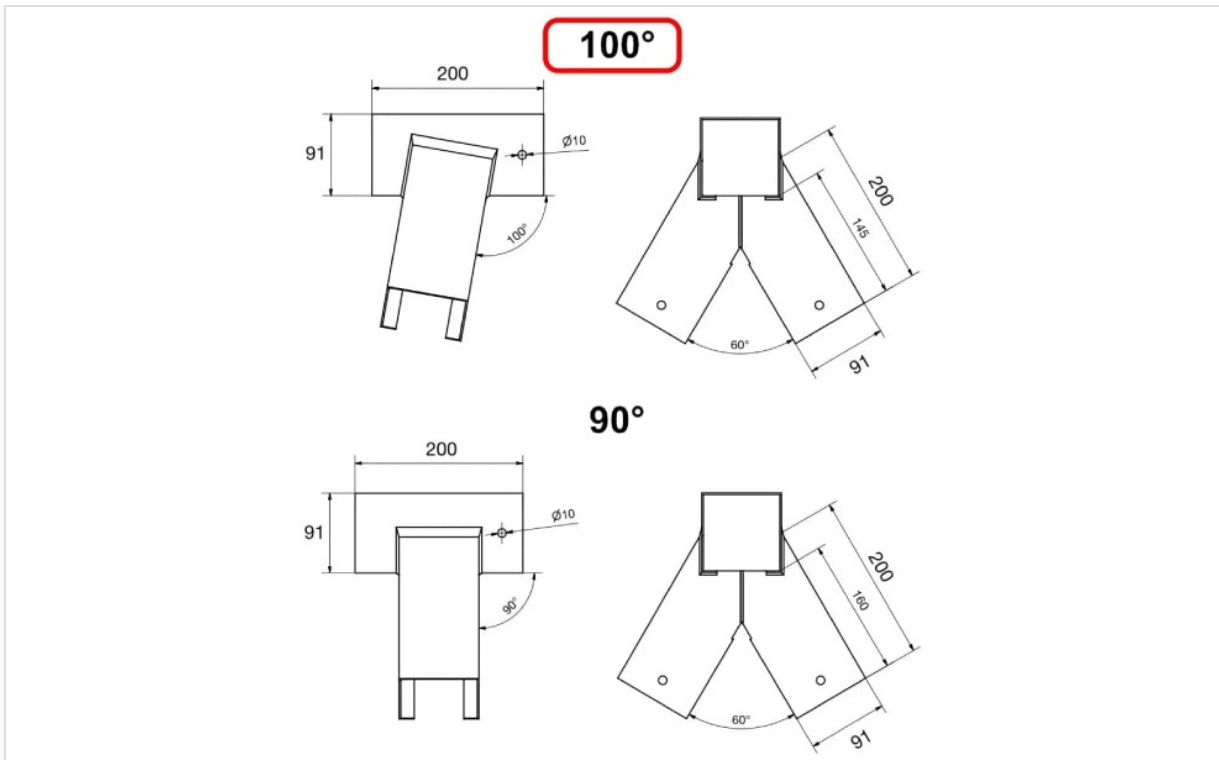


Image 2: Illustrative diagram of the swing connector integrated into a wooden swing frame, highlighting its structural role.

4. SPECIFICATIONS

Feature	Detail
Model Number	LHK
Material	S235 Steel Sheet
Wall Thickness	2 mm
Angle	100°
For Wooden Posts	Square 90/90 mm
Mounting Hole Diameter	Ø 10 mm
Finish	Powder-coated (Red)
Product Dimensions (L x W x H)	20 x 31 x 27 cm
Item Weight	2.71 kg
Assembly Required	Yes

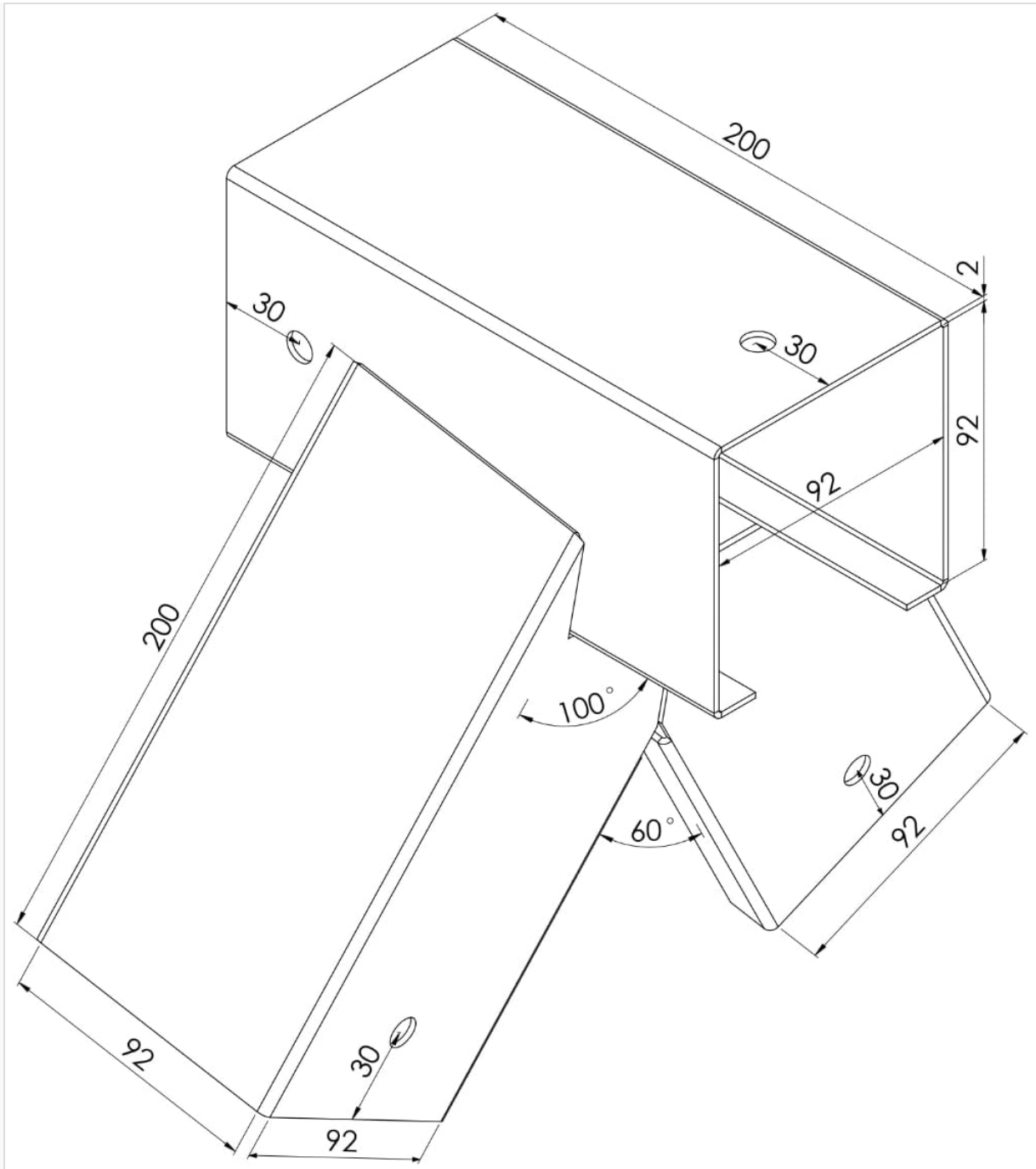


Image 3: Technical drawing illustrating the dimensions and angles of the TRIBECO swing connector.



Image 4: Technical drawing showing the difference between 100° and 90° swing connectors, highlighting the specific angle of this product.

5. SETUP AND INSTALLATION

Follow these steps for proper installation of the TRIBECCO Square Swing Connector:

1. **Prepare Wooden Posts:** Ensure you have square wooden posts of 90x90 mm. Cut them to the desired lengths for the top beam and the A-frame legs.
2. **Insert Posts:** Slide the wooden posts into the open ends of the swing connector. The top beam will go into the horizontal opening, and the two A-frame legs into the angled openings.
3. **Align and Drill:** Align the wooden posts within the connector. The semi-open design allows for minor adjustments. Mark the positions for drilling through the pre-drilled holes (\varnothing 10 mm) in the connector and into the wooden posts.
4. **Secure with Fasteners:** Insert appropriate bolts (not included) through the drilled holes and secure them with nuts and washers. Ensure all fasteners are tightened firmly. There are fixation holes on both sides; simply screw a screw into one of the holes on the side you prefer.
5. **Assemble A-Frame:** Repeat the process for the other side of the swing frame if building a double A-frame structure.
6. **Position and Anchor:** Carefully raise the assembled swing frame. Position it on a level and stable surface. For enhanced safety, it is highly recommended to use ground anchors (not included) to secure the swing structure to the ground.



Image 5: Example of a garden swing set constructed with TRIBECCO swing connectors, demonstrating the final assembly.

6. OPERATING INSTRUCTIONS

Once the swing structure is fully assembled and securely anchored, it is ready for use. Ensure that all safety guidelines are followed during play.

- Always supervise children when they are using the swing set.
- Ensure the area around the swing is clear of obstacles.
- Do not exceed the maximum weight capacity of the swing seats or the overall swing structure.

7. MAINTENANCE

Regular maintenance is crucial for the safety and longevity of your swing structure:

- **Monthly Inspection:** Check all connections, especially the bolts securing the wooden posts to the TRIBECCO connectors. Tighten any loose screws or bolts. The innovative semi-open design allows for re-tightening even months after initial assembly.
- **Inspect Wooden Posts:** Look for any signs of rot, cracks, or splinters in the wooden posts. Replace

damaged posts immediately.

- **Check Coating:** Inspect the powder coating for any chips or scratches that could expose the steel to moisture. Touch up with appropriate rust-preventative paint if necessary.
- **Ground Anchors:** If using ground anchors, ensure they remain firmly in place and are not corroded.
- **Cleanliness:** Keep the connectors free from dirt and debris. Wipe clean with a damp cloth as needed.

8. TROUBLESHOOTING

Here are some common issues and their solutions:

Problem	Possible Cause	Solution
Swing structure feels wobbly.	Loose bolts or inadequate ground anchoring.	Check and tighten all bolts. Ensure ground anchors are properly installed and secure. Verify the ground is level.
Wooden posts do not fit perfectly.	Slight variations in wood dimensions.	The semi-open design allows for minor adjustments. Ensure posts are fully inserted and then tighten bolts to secure.
Rust spots appear on the connector.	Damage to the powder coating exposing the steel.	Clean the rusted area, sand lightly, and apply a rust-inhibiting primer followed by a suitable outdoor paint.

9. WARRANTY AND SUPPORT

TRIBECCO products are manufactured to high-quality standards. For specific warranty information, please refer to the purchase documentation or contact TRIBECCO customer support directly.

For further assistance, technical questions, or to report any issues, please contact TRIBECCO customer service through their official website or the retailer where the product was purchased.

Please note: Improper installation, misuse, or failure to perform regular maintenance may void the product warranty.