

## Hodozzy Z2091

# Hodozzy Digital Wireless Reversing Camera Kit - Model Z2091

## User Instruction Manual

### 1. INTRODUCTION

---

Thank you for choosing the Hodozzy Digital Wireless Reversing Camera Kit. This system is designed to provide a clear and stable view of your vehicle's surroundings, enhancing safety during reversing and maneuvering. It is suitable for a wide range of 12V-24V vehicles, including cars, RVs, trucks, trailers, buses, and caravans.

This manual provides detailed instructions for installation, operation, and maintenance to ensure optimal performance and longevity of your device. Please read it thoroughly before use.

### 2. PACKAGE CONTENTS

---

Please verify that all items listed below are included in your package:

- 1 x 7-inch TFT LCD Monitor
- 2 x Wireless Reversing Cameras
- 1 x Car Charger
- 2 x Power Cords for Cameras
- 1 x Monitor Mounting Bracket
- 1 x Sunshade for Monitor
- 2 x Antennas
- 1 x User Manual
- Installation Kits (screws, adhesive sticker)

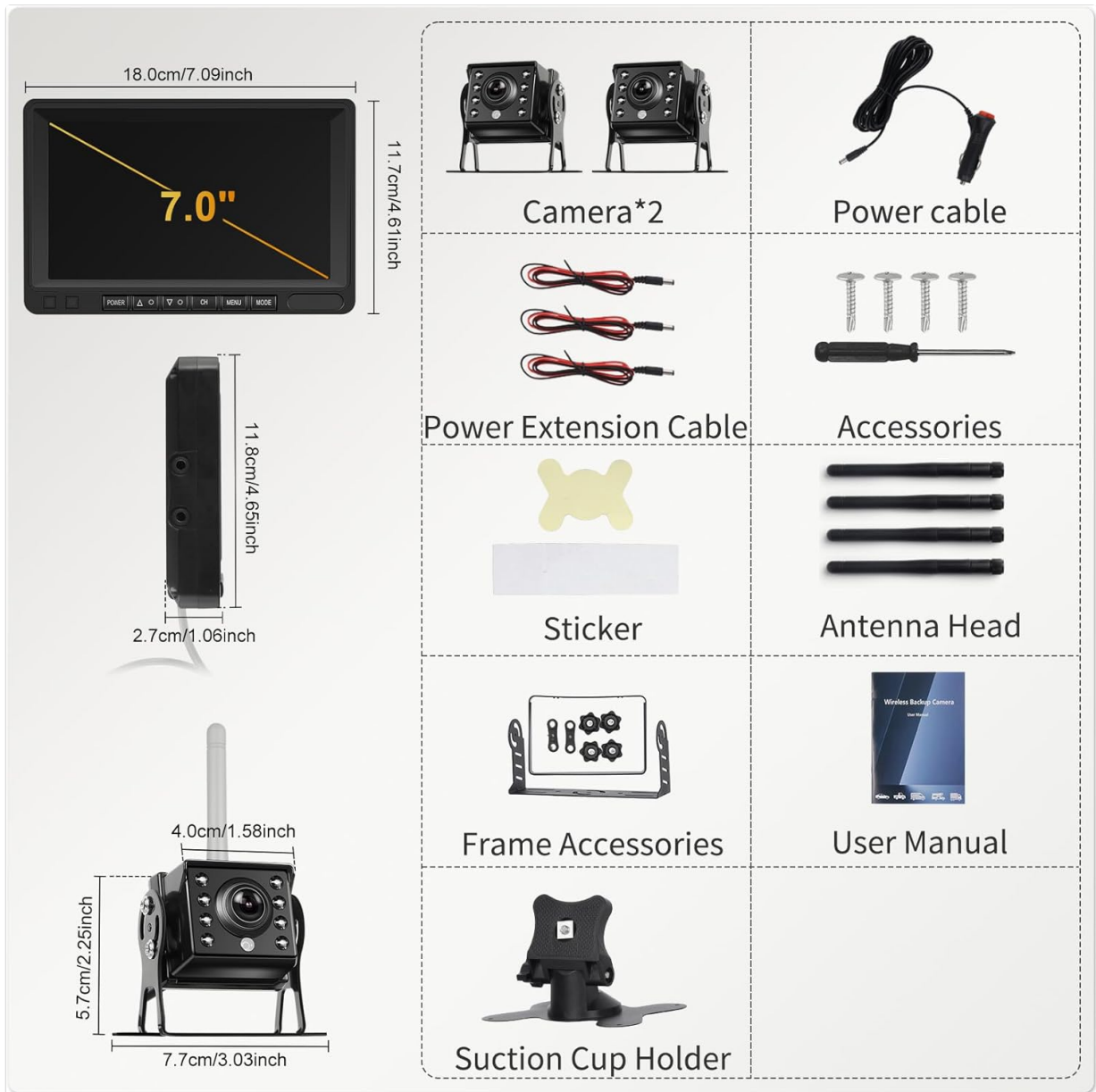


Figure 2.1: Hodozy Digital Wireless Reversing Camera Kit Components

### 3. SPECIFICATIONS

Feature	Specification
Model Number	Z2091
Monitor Size	7 Inches TFT LCD
Camera Resolution	720P (Effective Capture Resolution)
Camera Sensor Technology	CMOS
Waterproof Rating	IP69
View Angle	130 Degrees
Night Vision	Yes (Color Night Vision with 8 LED lights)
Wireless Signal Range	20-40 feet (up to 70m in open area without interference)

Power Input	12V-24V DC
Monitor Display Modes	Full screen, Dual split, Quad split (with additional cameras)
Recording Function	Yes (with SD card, up to 128GB)



Figure 3.1: Product Dimensions

## 4. SETUP AND INSTALLATION

This system is designed for easy installation. Follow these steps carefully:

### 4.1 Camera Installation

1. **Mounting Location:** Choose a suitable location for each camera at the rear of your vehicle. Ensure the camera has a clear, unobstructed view. The cameras are IP69 waterproof, shockproof, and dustproof, suitable for various weather conditions.
2. **Secure Mounting:** Use the provided screws and brackets to securely attach the cameras. Adjust the camera angle for optimal viewing.
3. **Power Connection:** Connect the camera's power cable to a 12V-24V DC power source. For continuous monitoring, connect to a constant power source. For reversing assistance, connect to the vehicle's reverse lights (positive and negative wires).



Figure 4.1: IP69 Waterproof and Durable Cameras



Figure 4.2: Camera Waterproof Rating

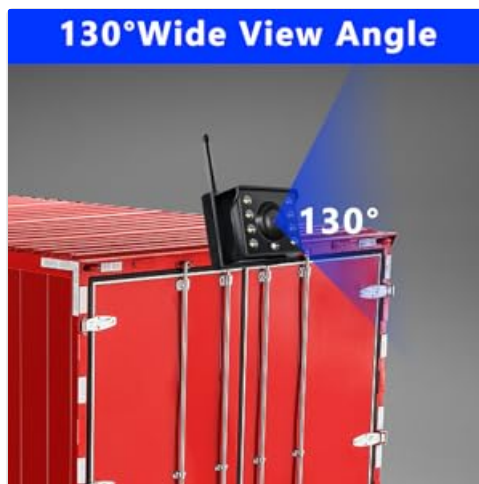


Figure 4.3: 130° Wide View Angle

## 4.2 Monitor Installation

1. **Mounting:** Attach the monitor to your dashboard or windshield using the provided mounting bracket. Ensure it is in a position that does not obstruct your view while driving.
2. **Power Connection:** Plug the monitor's car charger into your vehicle's cigarette lighter socket or connect it to an ACC/fuse/radio power source.
3. **Antenna:** Screw the antenna onto the monitor for optimal wireless signal reception.



Figure 4.4: Wireless Connection and Power Diagram



Figure 4.5: Wireless Signal Range

## 5. OPERATING INSTRUCTIONS

### 5.1 Powering On/Off

Once connected to power, the monitor will automatically turn on when the vehicle is started or when the reverse gear is engaged (if wired to reverse lights). Press the 'POWER' button on the monitor to manually turn it on or off.

### 5.2 Display Modes

The 7-inch monitor supports multiple display modes:

- **Full Screen:** Displays a single camera view.
- **Dual Split:** Displays two camera views simultaneously.
- **Quad Split:** Displays up to four camera views simultaneously (requires additional cameras, sold separately).

Use the 'CH' button on the monitor to cycle through the available camera channels (CH1, CH2, CH3, CH4) and the 'MODE' button to switch between full screen, dual split, and quad split display modes.

# Up to 2 Cameras



Full screen display



2 split screen

Figure 5.1: Full Screen and Split Screen Display

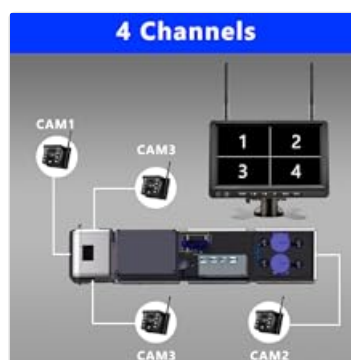


Figure 5.2: 4-Channel System Overview

## 5.3 Auxiliary Lines

The monitor can display auxiliary parking lines to assist with reversing. You can enable or disable these lines by pressing the dedicated button on the monitor.



Figure 5.3: Auxiliary Lines On/Off



Figure 5.4: Guide Lines Control

## 5.4 Image Flip

The monitor allows you to flip the camera image (horizontal, vertical, or both) to suit your mounting orientation and preference. Use the 'MENU' button to access settings and adjust the image flip option.

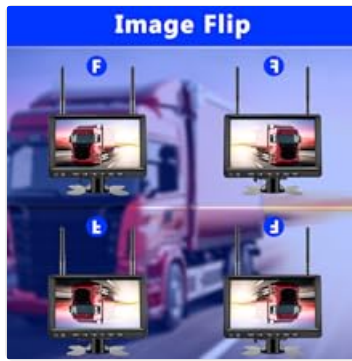


Figure 5.5: Image Flip Options

## 5.5 Video Recording

The monitor supports video recording to an SD card (up to 128GB, not included). Insert an SD card into the designated slot on the monitor to enable recording. The system will record footage from the active camera channels.



Figure 5.6: Video Recording Function



Figure 5.7: SD Card Slot for Recording

## 5.6 Night Vision

The cameras are equipped with 8 LED lights and advanced chips to provide clear color night vision, ensuring visibility even in low-light conditions.



Figure 5.8: 720P Night Vision with 8 LED Lights



Figure 5.9: Color Night Vision Display

## 6. MAINTENANCE

To ensure the longevity and optimal performance of your Hodozzy Reversing Camera Kit, follow these maintenance guidelines:

- **Cleaning:** Regularly clean the camera lenses and monitor screen with a soft, damp cloth. Avoid abrasive cleaners or solvents that could damage the surfaces.
- **Cable Connections:** Periodically check all cable connections to ensure they are secure and free from corrosion or damage.
- **Camera Housing:** Although the cameras are IP69 waterproof, inspect their housing for any cracks or damage that could compromise their water resistance, especially after exposure to harsh conditions.
- **Software Updates:** Check the manufacturer's website for any available software updates for your device.

## 7. TROUBLESHOOTING

If you encounter issues with your reversing camera kit, please refer to the following common problems and solutions:

Problem	Possible Cause	Solution
No image on monitor	<ul style="list-style-type: none"><li>• Power cable loose or disconnected</li><li>• Camera not powered</li><li>• Signal interference</li><li>• Camera or monitor malfunction</li></ul>	<ul style="list-style-type: none"><li>• Check all power connections to monitor and cameras.</li><li>• Ensure cameras are receiving 12V-24V power.</li><li>• Relocate antennas for better signal.</li><li>• Contact customer support if problem persists.</li></ul>

Flickering or unstable image	<ul style="list-style-type: none"> <li>• Weak wireless signal</li> <li>• Electromagnetic interference</li> <li>• Low power supply</li> </ul>	<ul style="list-style-type: none"> <li>• Ensure antennas are properly connected and positioned.</li> <li>• Avoid placing the system near strong electromagnetic sources.</li> <li>• Verify stable 12V-24V power supply.</li> </ul>
Night vision not clear	<ul style="list-style-type: none"> <li>• Camera lens dirty</li> <li>• Insufficient ambient light for color night vision</li> </ul>	<ul style="list-style-type: none"> <li>• Clean the camera lens.</li> <li>• Ensure there is some ambient light for optimal color night vision.</li> </ul>
Recording not working	<ul style="list-style-type: none"> <li>• No SD card inserted</li> <li>• SD card full or corrupted</li> <li>• SD card not formatted</li> </ul>	<ul style="list-style-type: none"> <li>• Insert a compatible SD card (up to 128GB).</li> <li>• Format the SD card via monitor settings.</li> <li>• Replace with a new SD card if corrupted.</li> </ul>

If these solutions do not resolve the issue, please contact Hodozzy customer support for further assistance.

## 8. WARRANTY AND SUPPORT

Hodozzy provides a 12-month replacement service and lifetime after-sales support for this product. If you encounter any defective product or issues, please do not hesitate to contact us. Our customer service team is available 24 hours a day to assist you.

### Contact Information:

- Email: [hodozzyofficial@163.com](mailto:hodozzyofficial@163.com)
- Online Support: Refer to the contact details provided in your package or on the official Hodozzy website.



Figure 8.1: Hodozzy Customer Support Information

