



[Manuals.plus](#) /

> [Owigift](#) /

> Owigift Dishwasher Top Upper Rack Adjuster Kit Instruction Manual for KitchenAid KDTM354/KDTM384 Series

## Owigift KDTM354/KDTM384 Series

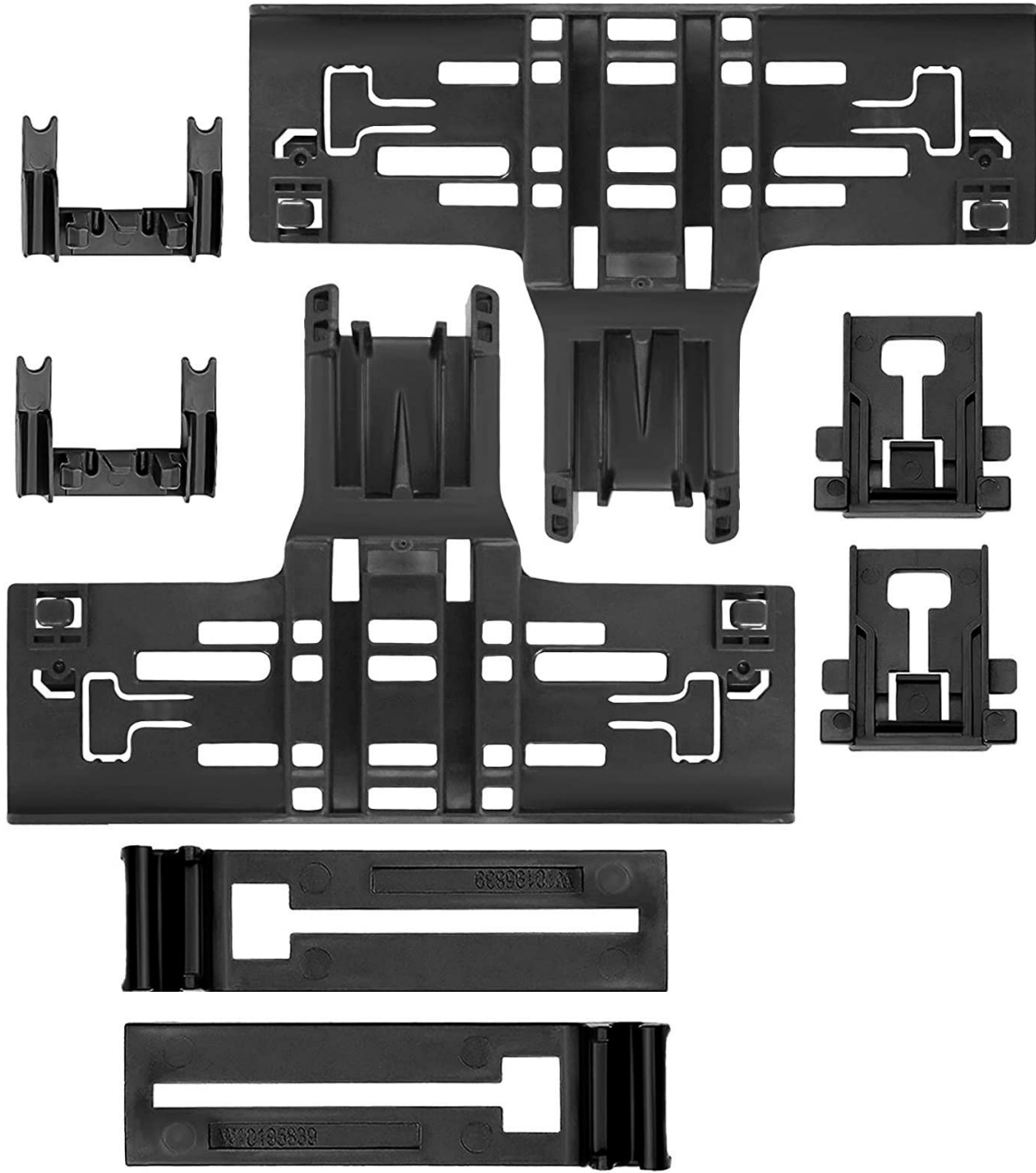
# Owigift Dishwasher Top Upper Rack Adjuster Kit Instruction Manual

COMPATIBLE WITH KITCHENAID KDTM354 AND KDTM384 SERIES DISHWASHERS

## 1. Introduction

---

This instruction manual provides detailed guidance for the installation, operation, and maintenance of your Owigift Dishwasher Top Upper Rack Adjuster Kit. This kit is designed to replace worn or broken upper rack adjuster components in specific KitchenAid dishwasher models, restoring proper functionality and height adjustment to your dishwasher's upper rack. Please read this manual thoroughly before beginning installation to ensure safe and correct usage.



**Figure 1.1:** Owigift Dishwasher Top Upper Rack Adjuster Kit. This image displays the various components included in the kit, which are essential for repairing and restoring the upper rack adjustment mechanism in compatible KitchenAid dishwashers.

## 2. Safety Information

---

Always prioritize safety when performing appliance repairs. Failure to follow these safety guidelines may result in personal injury or property damage.

- **Disconnect Power:** Before starting any repair, always disconnect the dishwasher from its electrical power supply by unplugging it or turning off the circuit breaker.
- **Turn Off Water Supply:** Close the water supply valve to the dishwasher to prevent leaks.
- **Wear Protective Gear:** Wear work gloves to protect your hands from sharp edges and safety glasses to protect your eyes.
- **Handle with Care:** Components may have sharp edges. Handle all parts carefully.
- **Professional Assistance:** If you are unsure about any step, consult a qualified appliance repair

technician.

### 3. Package Contents

---

Verify that all components are present and undamaged before proceeding with installation. The kit typically includes:

- Upper Rack Adjuster Assemblies (Left and Right)
- Adjuster Wheels/Rollers
- Retainer Clips or Mounting Hardware
- Instruction Sheet (this manual)

### 4. Setup and Installation

---

This section outlines the steps to replace the dishwasher's upper rack adjuster kit. Ensure all safety precautions are followed.

#### Tools Required:

- Phillips Head Screwdriver
- Flat Head Screwdriver (optional, for prying)
- Pliers (optional)
- Work Gloves

#### Installation Steps:

##### 1. Prepare the Dishwasher:

- Disconnect the dishwasher from the electrical power supply.
- Turn off the water supply to the dishwasher.
- Open the dishwasher door and pull out the upper rack completely.

##### 2. Remove the Upper Rack:

- Locate the rack stops or end caps on the rails at the front of the upper rack.
- Remove these stops or caps. This may involve prying them off with a flat-head screwdriver or squeezing clips.
- Carefully slide the upper rack off the rails and set it aside on a protected surface.

##### 3. Remove Old Adjuster Components:

- Examine the existing adjuster assemblies attached to the upper rack. Note how they are connected.
- Depending on your model, you may need to unclip plastic tabs, remove screws, or gently pry off the old adjuster components from the rack.
- Remove any broken wheels, clips, or other parts associated with the old adjuster.

##### 4. Install New Adjuster Components:

- Align the new Owigift adjuster assemblies with the mounting points on the upper rack. Ensure you are installing the left and right assemblies on the correct sides.
- Snap the new adjusters into place or secure them with any provided screws or clips. Ensure they are firmly attached and do not wobble.
- Attach the new adjuster wheels/rollers to the adjuster assemblies if they are not pre-installed.

### 5. Reinstall the Upper Rack:

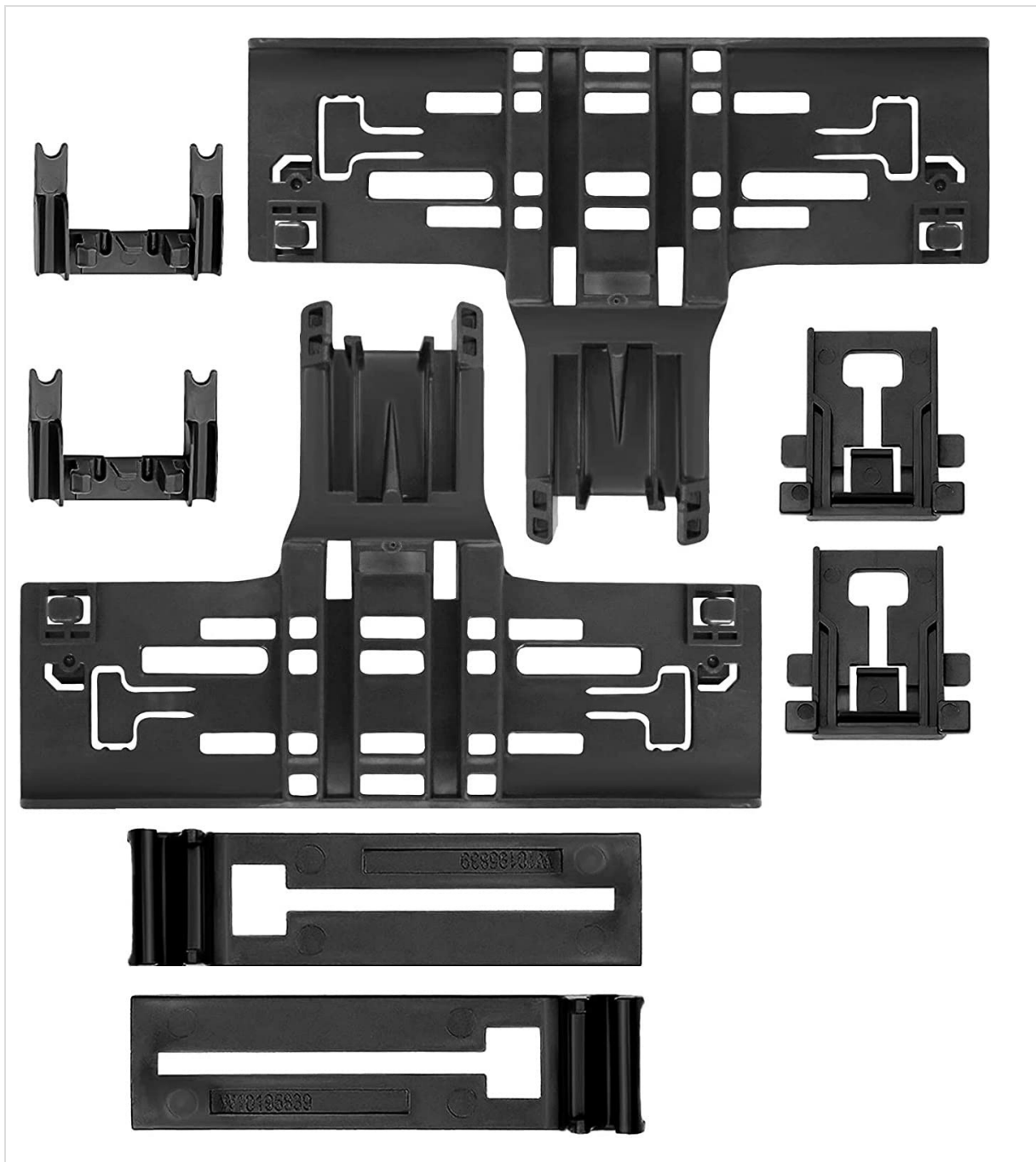
- Carefully slide the upper rack back onto the dishwasher rails, ensuring the new adjuster wheels engage properly with the tracks.
- Reattach the rack stops or end caps to the front of the rails to prevent the rack from sliding out.

### 6. Test Adjustment:

- With the rack reinstalled, test the height adjustment mechanism. Most adjusters allow you to raise or lower the rack by pressing tabs or levers on the sides of the adjuster assemblies and then moving the rack up or down.
- Ensure the rack moves smoothly and locks securely into different height positions.

### 7. Final Steps:

- Reconnect the dishwasher to its electrical power supply.
- Turn on the water supply to the dishwasher.
- Run a short cycle to check for proper operation and any leaks.



**Figure 4.1:** Example of an installed upper rack adjuster kit. This image illustrates how the new adjuster components

integrate with the dishwasher's upper rack and rails, enabling smooth height adjustment.

## 5. Operating the Upper Rack Adjustment

---

Once the new adjuster kit is installed, you can easily adjust the height of your dishwasher's upper rack to accommodate different sized items.

- **To Adjust Height:** Locate the adjustment levers or tabs on the left and right sides of the upper rack adjuster assemblies. Simultaneously press these levers/tabs and gently lift or lower the rack to your desired height.
- **Ensure Level:** Make sure both sides of the rack are adjusted to the same height to ensure proper washing and smooth movement.
- **Secure Position:** Release the levers/tabs to lock the rack into its new position. The rack should feel secure and not sag.

## 6. Maintenance

---

Regular maintenance helps prolong the life of your dishwasher components.

- **Clean Regularly:** Periodically clean the adjuster assemblies and wheels to remove food debris or mineral buildup that could impede smooth operation. Use a soft cloth and mild detergent.
- **Inspect for Wear:** Occasionally inspect the adjuster components for signs of wear, cracks, or damage. Replace parts as needed to maintain optimal performance.
- **Avoid Overloading:** Do not overload the upper rack, as excessive weight can stress the adjuster mechanism and lead to premature wear.

## 7. Troubleshooting

---

If you encounter issues after installing the adjuster kit, refer to the following common problems and solutions:

- **Rack Not Moving Smoothly:**
  - **Check for Obstructions:** Ensure no food debris or foreign objects are lodged in the adjuster mechanism or rack rails.
  - **Verify Installation:** Double-check that all components are correctly installed and aligned.
  - **Lubrication:** A small amount of food-grade silicone grease can be applied to the wheel axles if friction is high, but typically not required.
- **Rack Not Locking in Position:**
  - **Ensure Levers are Released:** Make sure the adjustment levers/tabs are fully released after setting the height.
  - **Inspect for Damage:** Check the locking mechanism on the adjuster for any visible damage or wear.
- **Rack Falling or Sagging:**
  - **Overloading:** Reduce the load on the upper rack.
  - **Component Failure:** Inspect the adjuster assemblies for cracks or broken parts. If damaged, replacement may be necessary.
  - **Incorrect Installation:** Re-verify that all parts are securely attached to the rack and the rails.

## 8. Specifications

---

<b>Brand Name</b>	Owgift
<b>ASIN</b>	B09MMFJ545
<b>Date First Available</b>	November 26, 2021

## 9. Warranty and Support

---

For information regarding product warranty, returns, or technical support, please refer to the seller's policies on the platform where the product was purchased. Keep your purchase receipt as proof of purchase.