

Manuals+

[Q & A](#) | [Deep Search](#) | [Upload](#)

Manuals.plus /

› [ChipPower](#) /

› ChipPower GS1 Performance Tuning Box User Manual for Mitsubishi L200 K6/K7 3.0 Gasoline

ChipPower GS1 (Model 260000440)

ChipPower GS1 Performance Tuning Box User Manual

Model: GS1 (260000440) | Brand: ChipPower

1. INTRODUCTION

The ChipPower GS1 Performance Tuning Box is an electronic module designed to optimize engine performance for compatible vehicles. This module is specifically engineered for the Mitsubishi L200 K6/K7 3.0 Gasoline engine (133 kW / 181 HP, years 1996-2006). It aims to enhance engine power and torque, and can contribute to improved fuel efficiency.

This manual provides essential information for the correct installation, operation, and maintenance of your ChipPower GS1 module. Please read all instructions carefully before proceeding with installation.

2. PACKAGE CONTENTS

Verify that all components are present in your package:

- ChipPower GS1 Tuning Box
- Connection Cable with Quick Splice Connectors
- Zip Ties for securing the module and cables
- User Manual (this document)



Figure 2.1: The complete ChipPower GS1 package contents, showing the tuning box, connection cable, zip ties, and instruction manual.

3. PRODUCT FEATURES

- **Performance Enhancement:** Increases engine power and torque by up to 15%.
- **Fuel Efficiency:** Can contribute to 10-15% fuel savings.
- **Engine Protection:** Equipped with an engine protection function to ensure safe operation.
- **Easy Installation:** Plug-in connector cable allows for installation without cutting wires or special tools.
- **Compatibility:** Designed for petrol, LPG, and some diesel engines. This specific model is for Mitsubishi L200 K6/K7 3.0 Gasoline.
- **Factory Settings Reversible:** The car returns to factory settings upon removal of the module.



The chip is individually tuned.

We select connectors and fitting instructions exactly for your engine.

Please, provide the following details:

- model.
- engine size (L or cc),
- engine power: (BHP, PS,CV or kW),
- year of manufacture.

Figure 3.1: The ChipPower GS1 module, which is pre-adjusted for immediate use.

4. INSTALLATION GUIDE

The ChipPower GS1 module is designed for straightforward installation in the engine compartment. No specialized tools or wire cutting are required.

4.1. Preparation

1. Ensure the vehicle's engine is turned off and cool.
2. Locate the appropriate sensor in your engine compartment where the tuning box will connect. Refer to your vehicle's specific engine diagram if unsure.

4.2. Connecting the Module

1. Disconnect the original sensor connector from the vehicle's wiring harness.
2. Connect one end of the ChipPower GS1 connection cable to the vehicle's sensor.
3. Connect the other end of the ChipPower GS1 connection cable to the vehicle's wiring harness.
4. Ensure all connections are secure and click into place. The quick splice connectors are designed for a firm fit.



Figure 4.1: Illustration of connecting the ChipPower GS1 module's cable to the vehicle's sensor and wiring harness.



Figure 4.2: Visual guide demonstrating the secure connection process for the module's cable.

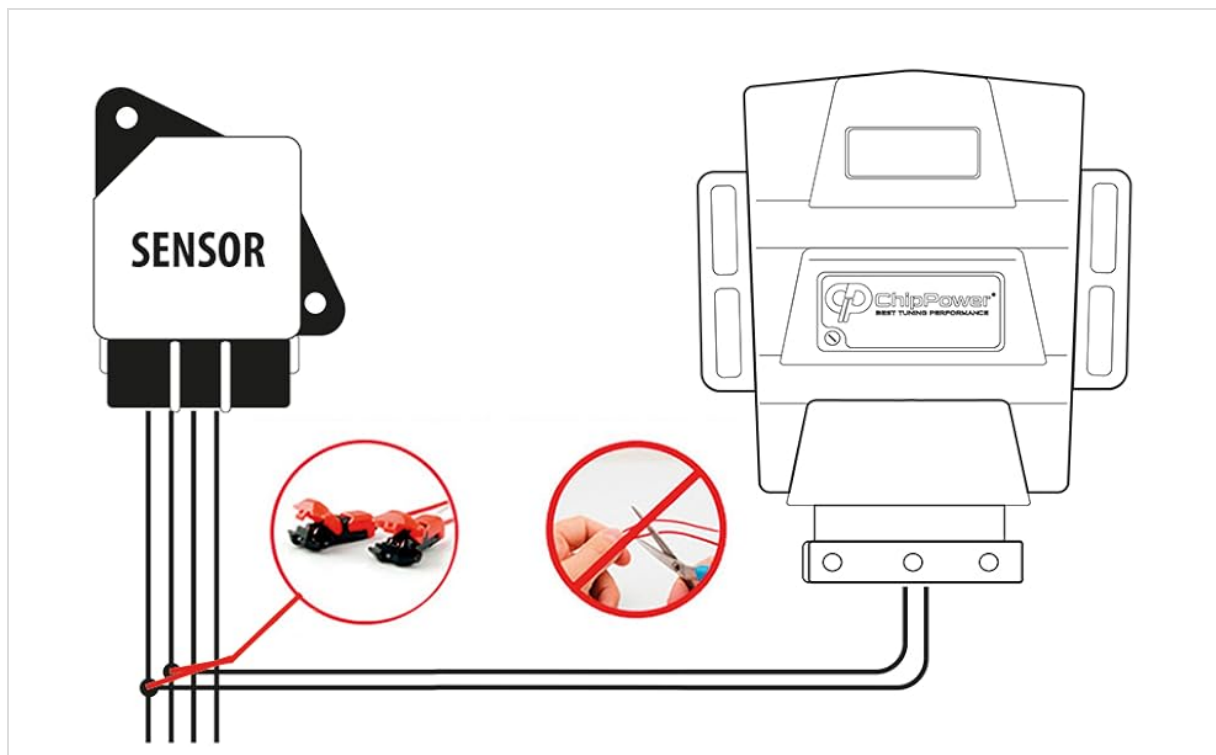


Figure 4.3: Connection diagram illustrating the plug-and-play installation method, emphasizing no wire cutting.

4.3. Securing the Module and Cables

Use the provided zip ties to secure the ChipPower GS1 module and its cables in a safe location within the engine compartment, away from moving parts, excessive heat, and moisture. Ensure the module is firmly

mounted to prevent vibrations.

5. ADJUSTMENT (OPTIONAL)

The ChipPower GS1 module comes pre-adjusted for optimal performance. However, if fine-tuning is desired, the module may feature an adjustment screw. Any adjustments should be made incrementally and with caution, observing vehicle behavior after each change. Refer to specific instructions provided with your module for adjustment details, if applicable.

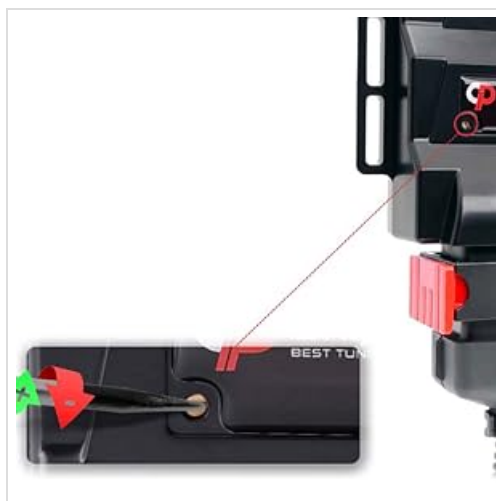


Figure 5.1: The adjustment point on the ChipPower GS1 module, used for fine-tuning performance settings.

6. OPERATION

Once installed, the ChipPower GS1 module operates automatically. It modifies signals from the engine's sensors to optimize fuel injection and ignition timing, resulting in increased power and torque. The module is designed to work seamlessly with your vehicle's existing engine management system.

After installation, you may notice a change in engine response and overall driving dynamics. The module is compatible with DPF/GPF systems and various types of gearboxes.



Figure 6.1: The ChipPower GS1 module is compatible with DPF/GPF systems and all types of gearboxes.

7. MAINTENANCE

The ChipPower GS1 module requires minimal maintenance. Periodically check the connections to ensure they remain secure. Keep the module clean and free from excessive dirt or moisture. Do not attempt to open the module casing, as this may void the warranty.

8. TROUBLESHOOTING

If you experience any issues after installing the ChipPower GS1 module, consider the following:

- **No noticeable change in performance:** Double-check all connections to ensure they are firmly seated. Ensure the module is correctly installed on the specified sensor.
- **Engine warning light:** If an engine warning light appears, immediately disconnect the ChipPower GS1 module and revert to the factory settings. Contact customer support for assistance.
- **Rough idling or unusual engine behavior:** Disconnect the module and check if the issue persists. If it does not, re-check installation steps or contact support.

For persistent issues or further assistance, please refer to the Support section.

9. SPECIFICATIONS

Manufacturer	ChipPower
Model Number	260000440
Compatible Vehicle	Mitsubishi L200 K6/K7 3.0 Gasoline (1996-2006)
Dimensions (Module)	Approx. 110 mm (H) x 90 mm (W) x 37 mm (D)

Item Weight

72 g

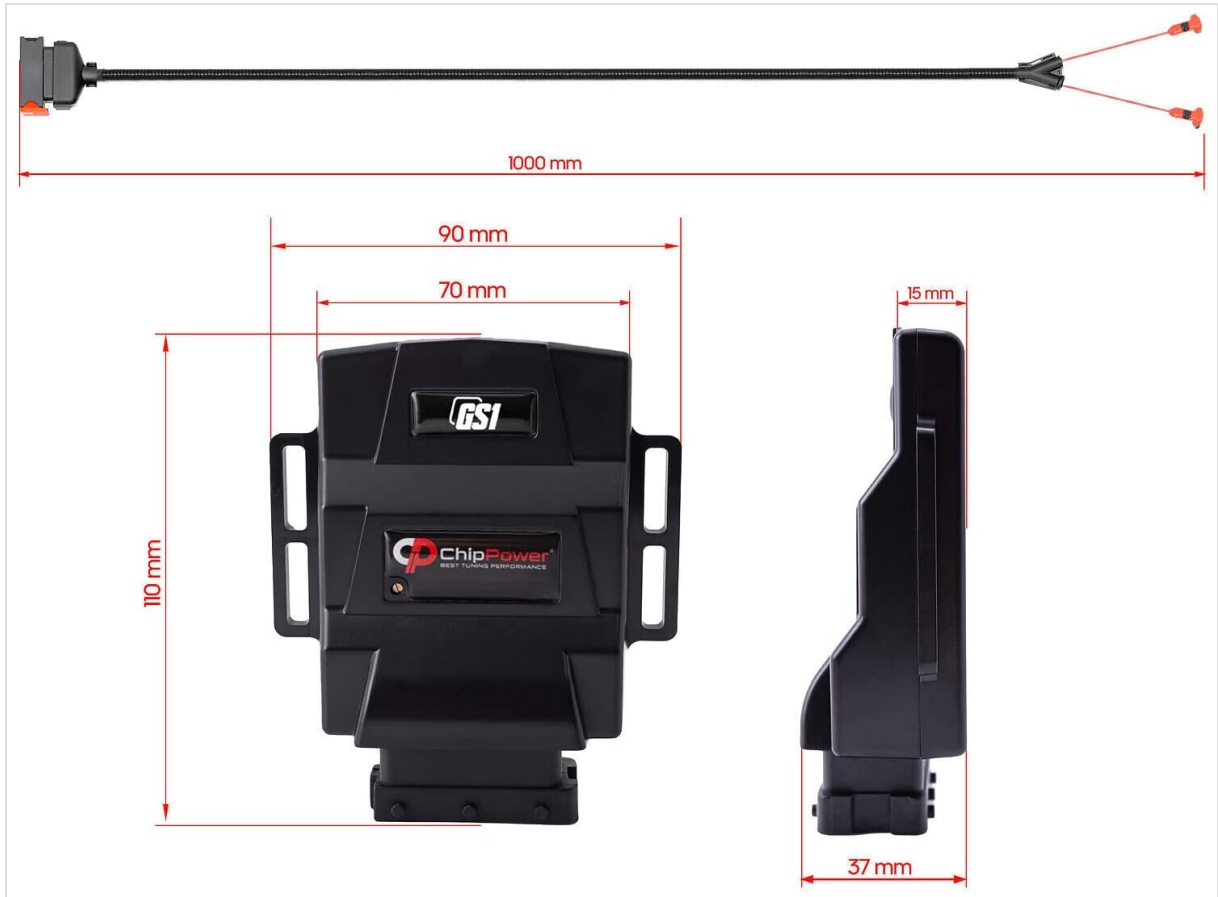


Figure 9.1: Detailed dimensions of the ChipPower GS1 module and its connection cable.

10. SAFETY AND WARRANTY INFORMATION

The ChipPower GS1 module is designed with an engine protection function to safeguard your vehicle's engine. Installation of this module does not void your vehicle's factory warranty, and removal restores the vehicle to its original factory settings.

Always ensure the engine is off and cool before installation or removal. Avoid contact with hot engine components. If you are unsure about any step of the installation process, it is recommended to seek professional assistance.

11. SUPPORT

For technical support, warranty claims, or any questions regarding your ChipPower GS1 Performance Tuning Box, please contact ChipPower customer service through the retailer where the product was purchased or visit the official ChipPower website for contact information.