

Manuals.plus /

› Jorest /

› JOREST Watch Repair Kit Instruction Manual - Model AJJOER0601ORDITR1

Jorest AJJOER0601ORDITR1

JOREST Watch Repair Kit Instruction Manual

Model: AJJOER0601ORDITR1

Brand: Jorest

INTRODUCTION

The JOREST Watch Repair Kit provides a comprehensive set of tools designed for various watch maintenance tasks. This kit is suitable for adjusting and replacing watch straps, opening watch covers, replacing watch batteries, and handling gaskets. This manual offers detailed instructions to guide you through common watch repair procedures, enabling you to perform these tasks at home.

KIT CONTENTS

Your JOREST Watch Repair Kit includes the following essential tools:

- **Watch Back Case Opener:** Used for watch cases with grooves, adjustable for diameters 15-60mm.
- **Watch Case Opening Pry:** For watch cases with a pry opening.
- **Screwdriver Set:** Five-in-one screwdriver with various bits (1.0, 1.2, 1.5, 1.8) suitable for watch battery fixing screws, case screws, watchband screws, and glasses screws. The handle stores extra bits.
- **Tweezers:** For delicate tasks like battery removal.
- **Metal Watch Band Link Remover:** For adjusting strap length. Includes 15 spare needles.
- **Watch Band Holder:** To stabilize the watch during strap adjustments.
- **Pin Punches:** Used with the hammer for link removal.
- **Double-Headed Hammer:** For use with pin punches.
- **Spring Bar Tool:** For replacing watch straps and unlinking bracelets.
- **Watch Case Holder:** To fix the watch and prevent sliding or scratching during repairs. Suitable for watches up to 50mm diameter.



Replacement battery

Suitable for a variety of watches to meet your daily needs

Image: Overview of the JOREST Watch Repair Kit tools.

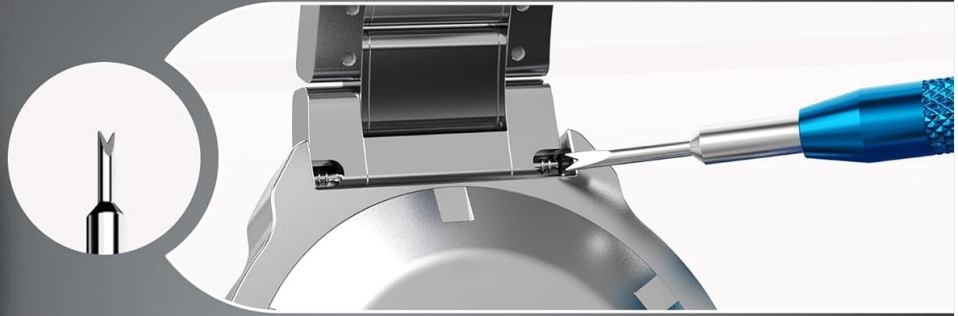
OPERATING INSTRUCTIONS

1. Watch Band Adjustment and Link Removal

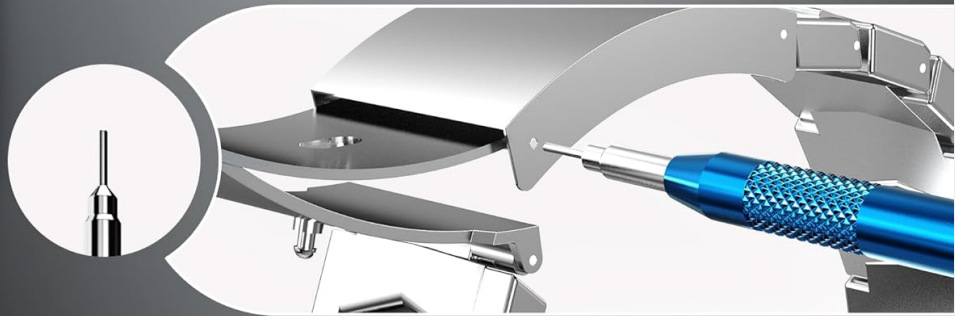
To adjust the length of your watch strap or replace it, follow these steps:

1. Place the watch band in the metal watch band link remover or the watch band holder.
2. Identify the direction of the pins to be removed (often indicated by small arrows on the underside of the band).
3. Use the metal watch band link remover or a pin punch with the double-headed hammer to gently push or tap out the pins in the indicated direction.
4. Remove the desired number of links.
5. Reassemble the watch band by inserting the pins back into place, ensuring they are flush with the band.
6. Use the spring bar tool to attach or detach the watch strap from the watch case.

V-HEAD: Replace the strap



2 IN 1 SPRING BAR TOOL



O-HEAD: Unlink the bracelet

Image: Adjusting a watch strap using the link removal tool.



Replacement battery

Suitable for a variety of watches to meet your daily needs

Image: Removing a watch link with a pin punch and hammer.

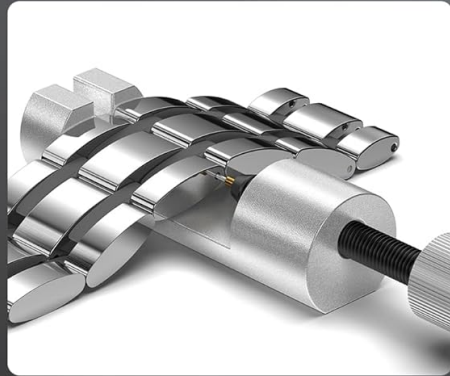
2. Watch Case Opening and Battery Replacement

To open the watch case and replace the battery, use the appropriate tool for your watch type:

1. **For Notched/Grooved Watch Cases:** Use the watch back case opener. Adjust the drill bit spacing by rolling the adjusting wheel to fit the grooves on your watch back (15-60mm range). Place the watch in the watch case holder for stability. Turn the opener counter-clockwise to loosen and remove the back.
2. **For Pry-Opening Watch Cases:** Use the watch case opening pry tool. Carefully insert the pry tool into the designated opening and gently lift the back cover.
3. **For Screwed Watch Cases:** Use the appropriate bit from the five-in-one screwdriver set to unscrew the back cover.
4. Once the back cover is removed, use the tweezers to carefully remove the old battery.
5. Insert the new battery, ensuring correct polarity.
6. Replace any internal plastic pieces or gaskets.
7. Carefully reattach the watch back cover, ensuring it is securely fastened. For notched cases, turn the watch back case opener clockwise to tighten.

Adjust watchband

- Remove the bracelet.



- Install the watchband.

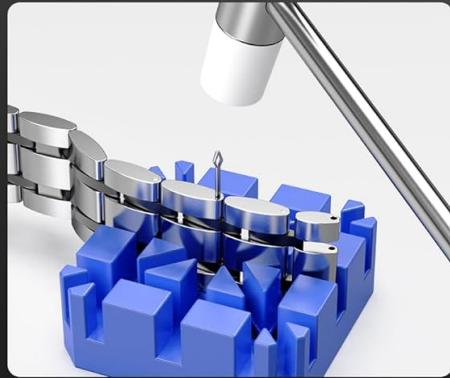


Image: Different watch case types and their compatible opening methods.

Replacing The Watch Battery

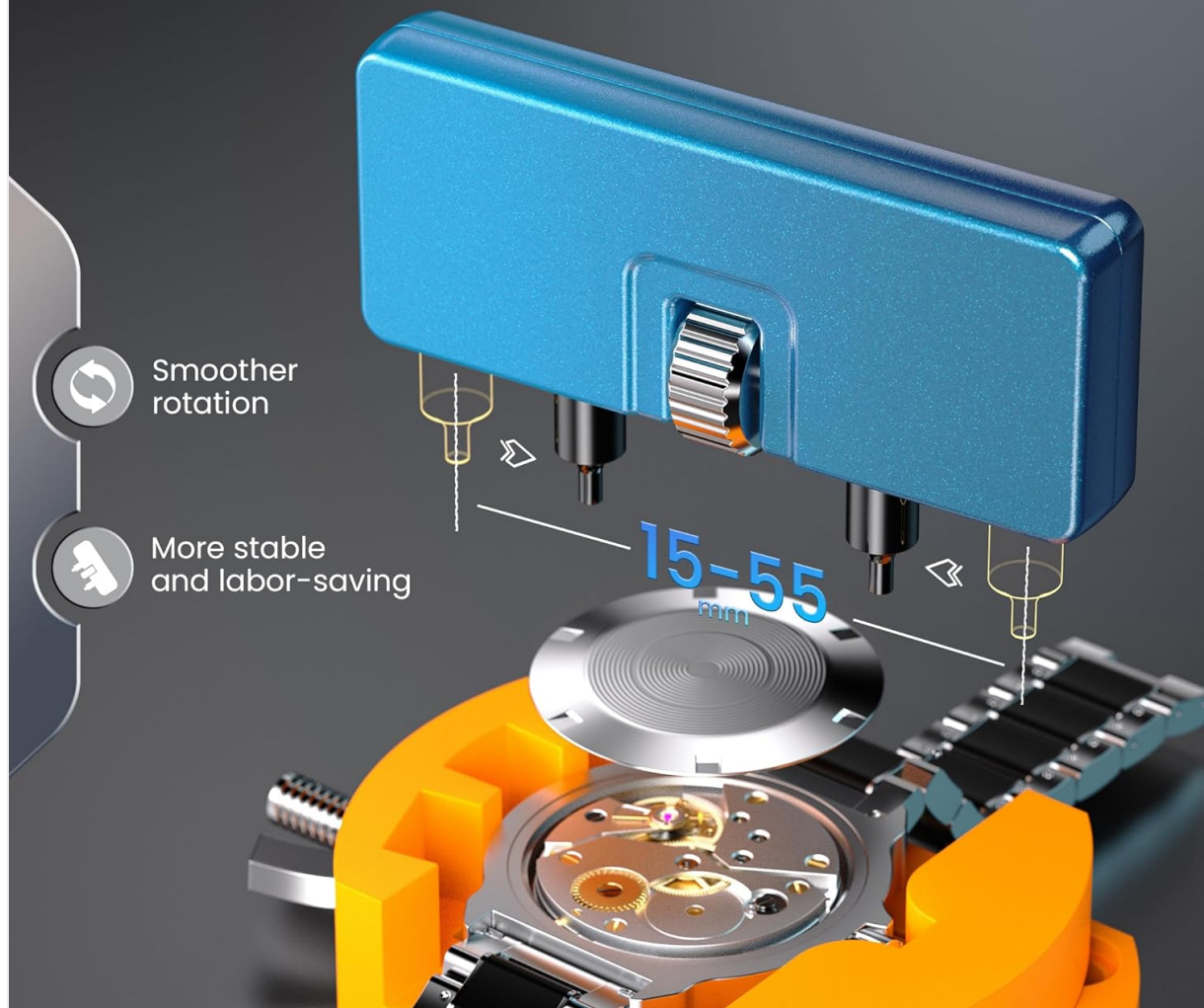


Image: Using the watch back case opener for battery replacement.



Image: Replacing a watch battery using tweezers.

3. Screwdriver Usage

The five-in-one screwdriver is versatile for various small screw applications:

- Select the appropriate bit (1.0, 1.2, 1.5, or 1.8) for the screw size.
- Use for watch battery fixing screws, watch case screws, watchband screws, or even glasses screws.
- Store unused bits inside the screwdriver handle by opening the cover at the end.

Suitable for 3 types of watch

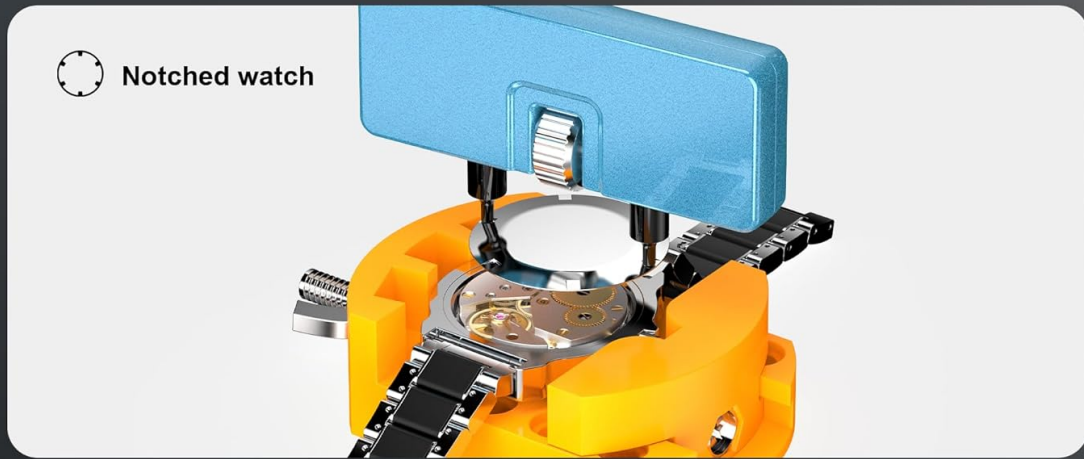
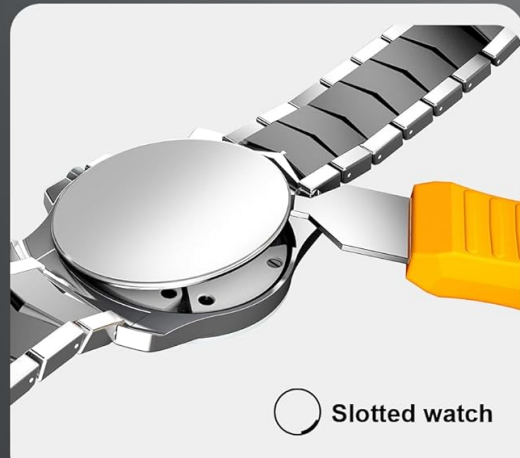


Image: The versatile 5-in-1 screwdriver with different bit sizes.

4. Watch Case Holder Usage

The watch case holder is crucial for securing your watch during any repair process:

- Place your watch firmly within the holder.
- Adjust the holder to fit watches of various sizes, up to 50mm in diameter.
- This prevents the watch from sliding and reduces the risk of accidental scratches or damage while you work with other tools.

Official Product Video

Your browser does not support the video tag.

Video: An overview of the JOREST Watch Repair Tool Kit and its various uses, including strap adjustment and case opening.

MAINTENANCE

To ensure the longevity and effectiveness of your JOREST Watch Repair Kit, proper maintenance is essential:

- **Cleaning:** After each use, wipe down all tools with a clean, dry cloth to remove any dust, oils, or debris. For metal tools, ensure they are completely dry to prevent rust.

- **Storage:** Store all tools in their designated slots within the kit's packaging to prevent damage, loss, and keep them organized. Keep the kit in a dry, cool place away from direct sunlight.
- **Inspection:** Periodically inspect tools for any signs of wear, damage, or dullness. Replace worn-out components like screwdriver bits or pin punch needles as needed (spare needles are provided).

TROUBLESHOOTING

If you encounter issues during watch repair, consider the following:

- **Difficulty Opening Watch Back:** Ensure you are using the correct tool for your watch case type (notched, pry-off, or screwed). Double-check that the tool is properly aligned with the case features. For notched cases, verify the opener's pins are correctly seated in the grooves.
- **Stuck Watch Band Pins:** Ensure you are pushing the pin in the correct direction (indicated by arrows on the band). Apply steady, firm pressure or gentle taps with the hammer. If a pin is severely stuck, consider applying a small amount of penetrating oil, but be cautious not to get it on the watch movement.
- **Scratches on Watch Case:** Always use the provided non-slip film or a soft cloth to protect the watch case when using tools, especially the case opener. Ensure tools are clean and free of debris that could cause scratches.
- **Watch Not Functioning After Battery Replacement:** Verify the new battery is inserted with the correct polarity. Ensure all internal components and gaskets are correctly seated before closing the case. Some watches may require a reset after battery replacement; consult your watch's specific manual if available.

SPECIFICATIONS

Item Model Number	AJJOER0601ORDITR1
Material	Metal
Package Dimensions	8.54 x 5.51 x 0.94 inches
Item Weight	10.93 ounces
Manufacturer	Jorest

WARRANTY AND SUPPORT

For warranty information, product support, or to inquire about replacement parts, please refer to the product packaging or visit the official Jorest website. Keep your purchase receipt for any warranty claims.