



Manuals.plus /

› JOYMOR /

› JOYMOR Kids Kitchen Standing Tower with Safety Rail, Chalkboard, Children Learning Step Tower for Kitchen Counter, Mothers' Helper (White) - Instruction Manual

## JOYMOR KSS1FW

# JOYMOR Kids Kitchen Standing Tower Instruction Manual

Model: KSS1FW

## 1. INTRODUCTION

---

Thank you for choosing the JOYMOR Kids Kitchen Standing Tower. This multi-functional learning tower is designed to provide a safe and engaging platform for your child to participate in various household activities, fostering independence and learning. Its innovative 4-in-1 design allows it to transform from a secure standing tower to a chalkboard, a compact table, or even a versatile side table/display rack.

Constructed from high-quality pine wood, this tower prioritizes safety with features like a four-side safety rail, a removable gate, rounded edges, and anti-slip legs. Please read this manual carefully before assembly and use to ensure proper setup and safe operation.



Figure 1: The JOYMOR Kids Kitchen Standing Tower in its primary upright configuration.

## 2. SETUP AND ASSEMBLY

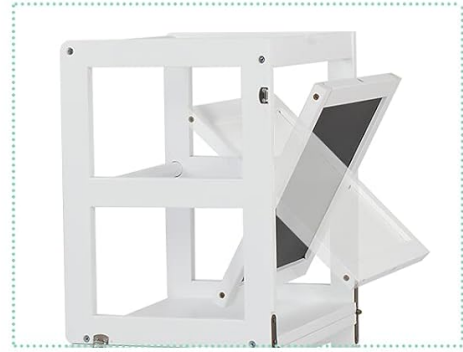
---

The JOYMOR Kids Kitchen Standing Tower is designed for straightforward assembly. All necessary installation tools and a detailed instruction manual are included in the package. Please follow the step-by-step instructions provided in the separate assembly guide for a smooth setup process.

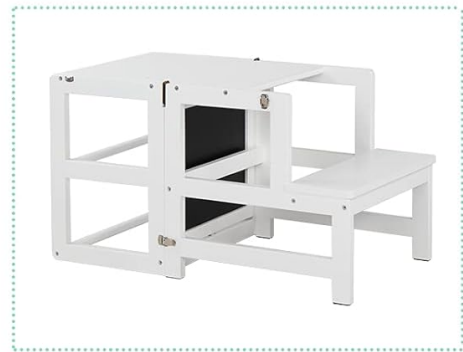
- Unpack all components and verify against the parts list in the assembly guide.
- Ensure all screws and fasteners are securely tightened during assembly to maintain stability.
- Place the assembled tower on a flat, stable surface.



Toddler Tower



Flip-style painting board



Desk & Chair Set

Figure 2: Overview of the multi-functional design, illustrating the various configurations.



High Quality Wood Material



Passes ASTM Regulations



Holds up to 150 Lbs

Figure 3: Key safety and material quality assurances for the product.

### 3. OPERATING INSTRUCTIONS

---

The JOYMOR Kids Kitchen Standing Tower offers multiple modes of use to adapt to your child's needs and activities.

#### 3.1. Kitchen Standing Tower Mode

In this mode, the tower allows your child to safely reach counter height, enabling them to assist with cooking, baking, or washing hands at the sink. The four-side safety rail and removable gate provide secure support.

- Ensure the tower is fully upright and the locking mechanisms (if any) are engaged.
- Guide your child to step onto the lower step and then onto the main platform.
- Always supervise your child while they are using the tower.

#### 3.2. Desk & Chair Set Mode

The tower can be easily converted into a desk and chair set for activities like drawing, eating, or playing.

- Locate the hinges and locking mechanisms that allow the tower to fold.
- Carefully fold the top section down to form the tabletop, and the lower section to form the seat.

- Ensure the conversion is complete and stable before use.

### 3.3. Chalkboard Function

One side of the tower features a chalkboard, providing a creative space for your child to draw and express themselves.

- The chalkboard is integrated into one of the side panels.
- Use standard chalk for drawing.
- Wipe clean with a damp cloth.

### 3.4. Side Table / Display Rack Mode

When your child outgrows the need for a learning tower, it can be repurposed into two separate parts: a side table or a display rack for plants or books.

- Refer to the assembly guide for instructions on how to separate the two main components.
- Each part can then be used independently as a small table or a multi-tiered display surface.



Figure 4: Versatile applications of the standing tower.

# Multifunction

Two Step Stool / Side Table/ Plants Display Rack



Figure 5: The tower's ability to transform into a two-step stool and a side table/display rack.

## 4. MAINTENANCE

---

Regular maintenance will ensure the longevity and safety of your JOYMOR Kids Kitchen Standing Tower.

- **Cleaning:** Wipe down the wooden surfaces with a soft, damp cloth. Avoid abrasive cleaners or harsh chemicals that could damage the wood finish. For the chalkboard, use a damp cloth or a chalkboard eraser.
- **Inspections:** Periodically check all screws, bolts, and hinges to ensure they are tight and secure. Retighten as necessary.
- **Wood Care:** As the product is made of pine wood, avoid prolonged exposure to direct sunlight or excessive moisture to prevent warping or cracking.
- **Safety Features:** Regularly inspect the safety rail, removable gate, and anti-slip strips for any signs of wear or damage. Replace components if compromised.

## 5. TROUBLESHOOTING

---

If you encounter any issues with your JOYMOR Kids Kitchen Standing Tower, please refer to the following common solutions:

Problem	Possible Cause	Solution
Tower feels wobbly or unstable.	Loose screws or uneven surface.	Check and tighten all assembly screws. Ensure the tower is placed on a flat, level surface.
Difficulty converting between modes.	Hinges are stiff or components are misaligned.	Apply a small amount of lubricant to the hinges if they are stiff. Ensure components are correctly aligned before attempting to fold/unfold. Do not force the conversion.
Chalkboard not erasing cleanly.	Residue buildup or incorrect chalk type.	Use a damp cloth to wipe the chalkboard. Ensure you are using standard chalk. Avoid oil pastels or permanent markers.
Removable gate is difficult to operate.	Misalignment or debris in the latch mechanism.	Check for any obstructions. Ensure the gate is properly aligned with its slots before attempting to remove or insert.

If you experience issues not listed here, or if the problem persists, please contact JOYMOR customer support for assistance.

## 6. SPECIFICATIONS

Feature	Detail
Product Dimensions (Tower)	17.3"D x 16.5"W x 33.1"H
Material	Pine Wood
Color	White
Special Features	Convertible, Removable Safety Rail, Chalkboard
Age Range (Recommended)	18 Months to 4 Years Old
Maximum Weight Limit	150 Pounds
Number of Steps	2
Assembly Required	Yes
Model Name	kitchen helper
Item Model Number	KSS1FW
UPC	810158425385

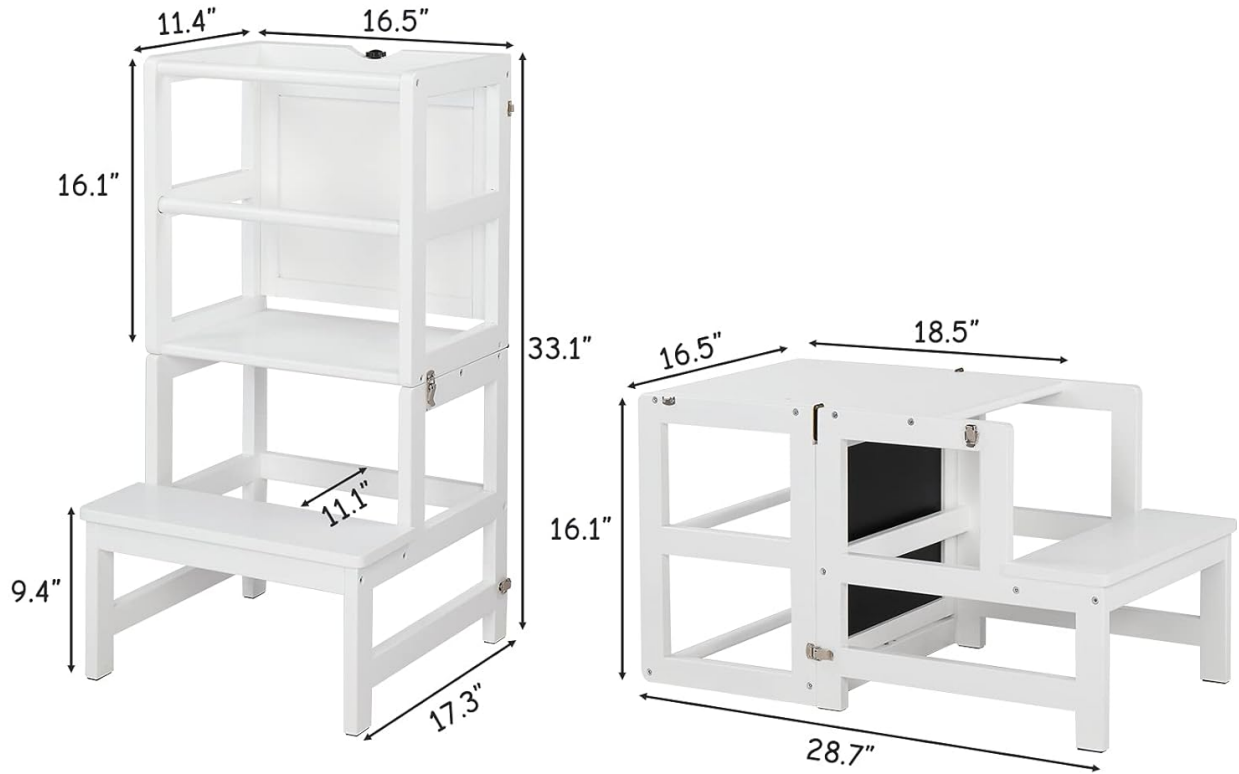


Figure 6: Detailed dimensions for both tower and table configurations.

## 7. WARRANTY AND SUPPORT

For warranty information, please refer to the documentation included with your purchase or visit the official JOYMOR website. If you require assistance with assembly, operation, or troubleshooting, please contact JOYMOR customer support. Have your model number (KSS1FW) and purchase details ready when contacting support.