



Manuals.plus /

› **Bosch** /

› Bosch WQG233D0FR Series 6 Heat Pump Tumble Dryer User Manual

Bosch WQG233D0FR

Bosch WQG233D0FR Series 6 Heat Pump Tumble Dryer User Manual

Model: WQG233D0FR

1. INTRODUCTION

This manual provides essential information for the safe and efficient operation of your Bosch WQG233D0FR Series 6 Heat Pump Tumble Dryer. Please read these instructions carefully before first use and keep them for future reference.

Key Features:

- **Heat Pump Technology:** Energy-efficient drying with eco-friendly R290 refrigerant.
- **AutoDry Sensors:** Continuously monitor temperature and humidity to prevent overheating and ensure perfect drying results.
- **SensitiveDrying System:** Gentle drying with warm air penetrating the drum, protecting delicate fabrics.
- **AntiVibration Design:** Enhanced stability and reduced noise levels during operation.
- **EasyClean Filter:** Conveniently located in front of the condenser for simple maintenance.

Safety Information:

Always follow basic safety precautions when using electrical appliances to reduce the risk of fire, electric shock, and injury. Ensure the appliance is properly installed and grounded. Do not allow children to play with or operate the dryer. Keep flammable materials away from the appliance.



Image 1.1: Front view of the Bosch WQG233D0FR Series 6 Heat Pump Tumble Dryer, showcasing its white finish and control panel.

2. SETUP AND INSTALLATION

Proper installation is crucial for the performance and longevity of your tumble dryer. Ensure the appliance is placed on a stable, level surface.

Dimensions and Weight:

- **Height:** 84.2 cm

- **Width:** 59.8 cm
- **Depth (excluding door):** 61.3 cm
- **Depth (including door):** 65.4 cm
- **Weight:** 52.4 kg

The AntiVibration Design of the side walls provides greater stability and reduces vibrations during operation. Ensure adequate ventilation around the appliance.

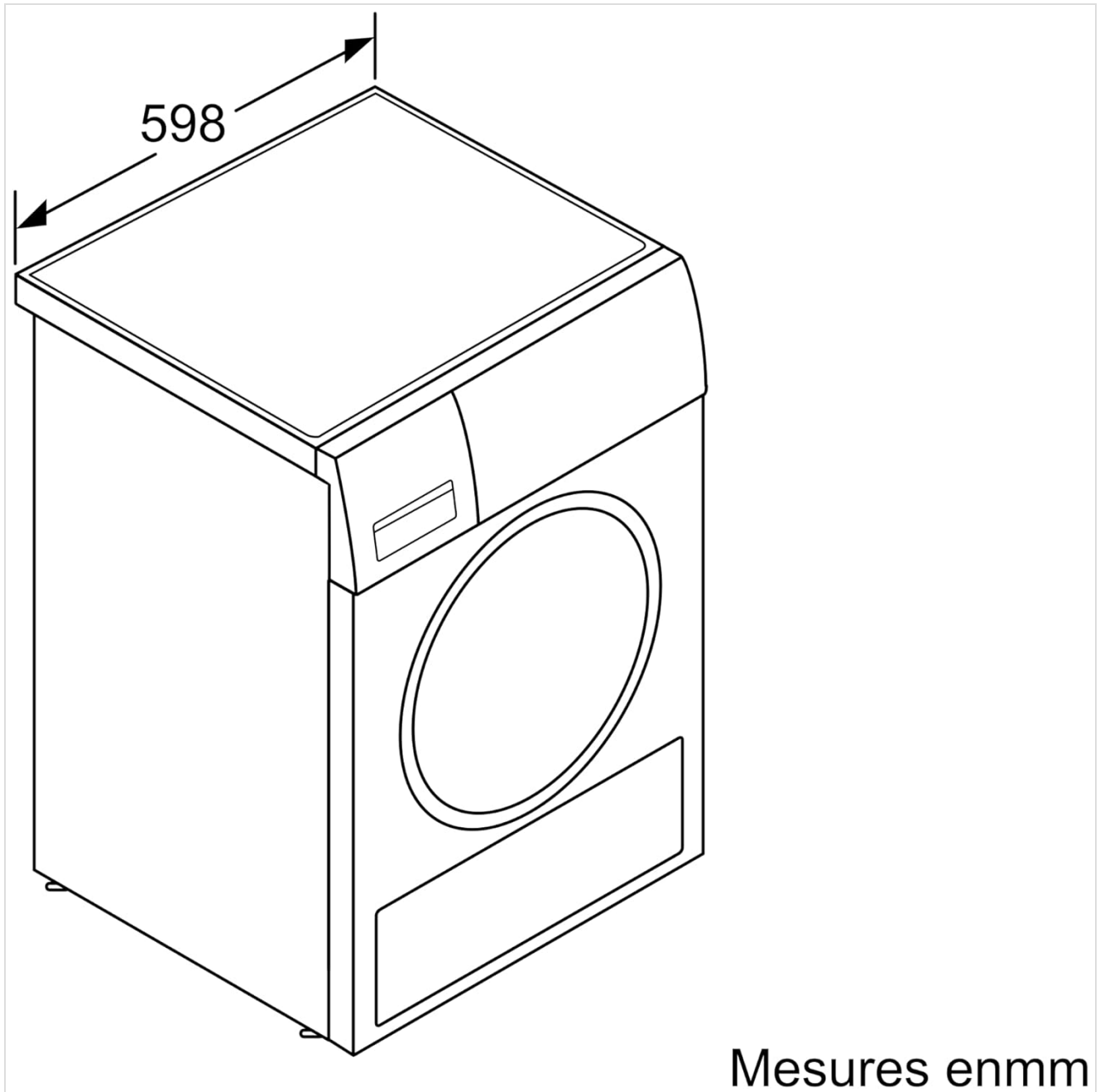


Image 2.1: Dimensional diagram of the tumble dryer, indicating width, depth, and height measurements for installation planning.



Image 2.2: Side view of the appliance, illustrating the unique AntiVibration side panel design for enhanced stability.

3. OPERATING INSTRUCTIONS

Your Bosch WQG233D0FR tumble dryer offers a variety of programs and features to ensure optimal drying results for different fabric types.

Control Panel Overview:

The control panel features a program selector dial, a digital display for remaining time and special functions, and touch buttons for additional settings.



Image 3.1: Detailed view of the control panel, showing the program selection dial, digital display, and function buttons.

Drying Programs:

Select the appropriate program based on the fabric type and desired dryness level. The AutoDry technology automatically detects the dryness level and stops the program when complete, preventing over-drying.

- **Cotton:** For robust cotton items.
- **Synthetics:** For synthetic or blended fabrics.
- **Delicate:** For heat-sensitive textiles.
- **Bed Linen:** Features alternating drum rotation for even drying of large items.
- **Mix:** For mixed loads of cotton and synthetic fabrics.
- **Express 40 min:** Quick drying for small loads.
- **Hygiene Plus:** For items requiring extra hygiene.
- **Wool Finish:** For gentle drying of wool items.

Loading the Dryer:

The dryer has an 8 kg capacity. Do not overload the drum to ensure efficient drying and prevent damage to garments. The SensitiveDrying System's unique drum structure ensures gentle treatment of your laundry.



Image 3.2: Interior of the stainless steel drum, highlighting the honeycomb structure designed for gentle drying.

4. MAINTENANCE AND CARE

Regular maintenance ensures optimal performance and extends the lifespan of your tumble dryer.

Cleaning the Lint Filter:

Clean the lint filter after every drying cycle. The EasyClean filter is located in front of the condenser and is designed for easy access and cleaning. A clogged filter can reduce drying efficiency and increase energy consumption.

Emptying the Condensate Container:

Empty the condensate container after each drying cycle. If connected to a drain, this step is not necessary.

Cleaning the Appliance:

Wipe the exterior of the dryer with a soft, damp cloth. Do not use abrasive cleaners or solvents. Periodically clean the moisture sensors inside the drum with a soft cloth and vinegar solution to ensure accurate drying results.

5. TROUBLESHOOTING

Before contacting customer service, please refer to the following common issues and their solutions:

- **Dryer does not start:** Check if the power plug is inserted correctly, the door is fully closed, and a program has been selected.
- **Laundry is not dry:** Ensure the lint filter is clean, the condensate container is empty, and the correct program for the load size and fabric type has been selected. Avoid overloading the dryer.
- **Unusual noises:** Check for foreign objects in the drum or filter. Ensure the dryer is level and stable.
- **Error codes on display:** Refer to the full user manual for specific error code interpretations and solutions.

6. TECHNICAL SPECIFICATIONS

Specification	Value
Model Number	WQG233D0FR
Capacity	8 kg
Energy Efficiency Class	A+++
Annual Energy Consumption	176 kWh/year
Noise Level	64 dB (A) re 1 pW
Dimensions (H x W x D)	84.2 cm x 59.8 cm x 61.3 cm
Weight	52.4 kg
Drum Volume	112 L
Condensation Efficiency Class	A (91%)
Refrigerant	R290 (eco-friendly)
Power Supply	220-240 V, 50 Hz, 10 A
Standard Program Duration	165 min (full load cotton)



Série 6, Sèche-linge pompe à chaleur, 8 kg WQG233D0FR



A+++

Le sèche-linge à pompe à chaleur A+++ économise de l'énergie et son capteur AutoDry sait quand votre charge est prête, ce qui évite la surchauffe et protège vos vêtements.

- **AutoDry** : sèche votre linge automatiquement et précisément comme vous l'aimez.
- **Programme Linge de lit avec rotation alternée du tambour** : des résultats de séchage parfaits qu'importe la taille des pièces de linge.
- **Design AntiVibration**: conçu pour une grande stabilité et un fonctionnement silencieux.
- Sèche-linge respectueux de l'environnement avec agent de refroidissement eco-friendly (R290).
- **Ecran LED**: facile à utiliser.

Données techniques

Type de construction : Pose libre
Top amovible : non
Charnière de porte : À droite
Longueur du cordon électrique : 145,0 cm
Hauteur avec top : 0 mm
Dimensions du produit : 842 x 598 x 613 mm
Poids net : 51,4 kg
Gaz à effet de serre fluorés : Non





Accessoires en option

WTZ27410 : KIT DE SUPERP SS TABL BLANC SL WTR/WTX
WTZPW20D : SOCLE AVEC TIROIR SECHE-LINGE

Type de réfrigérant : R290

Équipement hermétiquement scellé : Oui

Quantité de gaz fluorés : 0,135 kg

Quantité exprimée en équivalent CO₂ : 0,000 t

Code EAN : 4242005303212

Puissance de raccordement : 600 W

Intensité : 10 A

Tension : 220-240 V

Fréquence : 50 Hz

Certificats de conformité : CE, VDE

Capacité coton : 8,0 kg

Classe énergétique (2010/30/CE) : A+++

Consommation énergétique des sèche-linge électroniques en pleine charge - NOUVEAU (2010/30/CE) : 1,40 kWh

Durée du programme coton en pleine charge : 165 min

Consommation énergétique des sèche-linge électroniques en demi-charge - NOUVEAU (2010/30/CE) : 0,84 kWh

Durée du programme coton en demi-charge : 108 min

Contrôle de la consommation énergétique sur les sèche-linge électroniques - NOUVEAU (2010/30/CE) : 176,0 kWh/annum

Contrôle de la durée du cycle : 132 min

Moyenne de l'efficacité énergétique en pleine charge (%) : 91 %

Moyenne de l'efficacité énergétique en demi-charge (%) : 91 %

Contrôle du taux d'humidité résiduelle (%) : 91 %



Image 6.1: Technical data sheet providing detailed specifications and energy information.

Productkaart

Gedelegeerde Verordening (EU) nr. 392/2012

Naam of handelsmerk leverancier	Bosch
Typeaanduiding	WQG233D0FR
Nominale capaciteit	8,0 kg
Soort	Condens
Energie-efficiëntieklasse	A+++
Gewogen jaarlijks energieverbruik	176,0 kWh/jaar
Automatische droogtrommel	
Energieverbruik (E dry)	1,40 kWh
Energieverbruik (E dry1/2)	0,84 kWh
Energieverbruik (Eg dry)	- kWh
Energieverbruik (Eg dry1/2)	- kWh
Energieverbruik (Eg dry,a)	- kWh
Energieverbruik (Eg dry1/2,a)	- kWh
Elektriciteitsverbruik in uitstand	0,15 W
Elektriciteitsverbruik in sluimerstand	0,50 W
Het "standaard katoenprogramma", gebruikt bij volledige en gedeeltelijke lading, is het standaard droogprogramma waarop de op het etiket en de productkaart vermelde informatie betrekking heeft. Dit programma is geschikt voor het drogen van normaal vochtig katoenen wasgoed en het is voor katoen het efficiëntste programma in termen van energieverbruik.	
Gewogen programmaduur van het "standaard katoenprogramma bij volledige en gedeeltelijke lading"	132 minuten
Programmaduur van het "standaard katoenprogramma bij volledige lading" (T dry)	165 minuten
Programmaduur standaard katoenprogramma bij gedeeltelijke lading (T dry1/2)	108 minuten
Condensatie-efficiëntieklasse	A
Gemiddelde condensatie-efficiëntie (C dry)	91 %
Gemiddelde condensatie-efficiëntie (C dry1/2)	91 %
Gewogen condensatie-efficiëntie	91 %
Geluidsvermogensniveau (gewogen gemiddelde waarde)	64 dB

7. WARRANTY AND SUPPORT

Your Bosch WQG233D0FR Series 6 Heat Pump Tumble Dryer comes with a manufacturer's warranty. Please refer to the warranty card provided with your appliance for specific terms and conditions.

Spare Parts Availability:

Spare parts for this model are available for a period of 11 years from the date of purchase.

Customer Service:

For technical assistance, repairs, or to order spare parts, please contact Bosch customer service. You can find contact information on the Bosch website or in your warranty documentation.