

[Manuals.plus](#) /

> [GTKZW](#) /

> GTKZW 30-Inch 4-Burner Built-in Ceramic Electric Cooktop User Manual

## GTKZW Electric Cooktop 30 Inch

# GTKZW 30-Inch 4-Burner Built-in Ceramic Electric Cooktop

Model: Electric Cooktop 30 Inch | Brand: GTKZW

## INTRODUCTION

Thank you for choosing the GTKZW 30-Inch 4-Burner Built-in Ceramic Electric Cooktop. This manual provides essential information for the safe and efficient operation, installation, and maintenance of your new appliance. Please read it thoroughly before use and keep it for future reference.



Image: The GTKZW 30-Inch 4-Burner Built-in Ceramic Electric Cooktop, showcasing its sleek black ceramic glass surface and four radiant heating elements.

## SAFETY INFORMATION

---

Your safety is paramount. Please observe the following safety precautions:

- **Child Safety Lock:** Activate the child safety lock to prevent accidental operation by children.
- **Overheat Protection:** The cooktop is equipped with an overheat protection system. If the internal temperature becomes too high, the unit will automatically shut down to prevent damage.
- **Automatic Shutdown Protection:** For added safety, the cooktop will automatically shut down after a period of inactivity or if certain conditions are met.
- **Residual Heat Warning:** After cooking, an "H" indicator will appear on the display if the surface is still hot to the touch. Do not touch the hot surface until the indicator disappears.
- Ensure proper ventilation during use.
- Do not place flammable materials on or near the cooktop.
- Only use cookware suitable for electric radiant cooktops.

## PRODUCT FEATURES

---

- **High-Power Radiant Burners:** Four radiant cooking elements with a total rated power of 6800W (1200W + 1200W + 2000W + 2400W) for efficient and simultaneous cooking.
- **9 Power Levels:** Precise control from simmering to boiling with 9 distinct power settings.
- **Touch Screen Control:** Intuitive and easy-to-use touch controls for all functions.
- **Timer Function:** Set a reminder or cooking end time from 1 to 99 minutes. Includes a "Keep Warm" setting.
- **Built-in Design:** Designed for seamless integration into your kitchen countertop.
- **Durable Construction:** Features a rust-resistant iron bottom structure and a high-quality cooling fan for extended service life and low-noise operation.
- **Wide Cookware Compatibility:** Compatible with various cookware materials including iron, aluminum, ceramic, stainless steel, copper, and heat-resistant glass.

# 6300W HIGH POWER SETTING

4 cooking zones with different power,  
meets your different cooking demand.

— ..



Image: Diagram illustrating the power distribution of the four cooking zones: 1200W, 1200W/2400W, 1100W/2000W, and 1200W. Note: The image indicates 6300W total, while product specifications state 6800W.

# WORK WITH ALL TYPE OF COOKWARE



Iron



Stainless Steel



Casserole



Aluminum



Glass



Copper



Barbecue



Ceramics

Image: Visual guide showing various types of cookware compatible with the cooktop, including iron, stainless steel, casserole, aluminum, glass, copper, barbecue, and ceramics.

## SETUP AND INSTALLATION

The GTKZW Electric Cooktop is designed for easy built-in installation. Ensure you have the correct cutout dimensions before proceeding.

### Cutout Dimensions:

**Width:** 29.8 inches (760 mm)

**Depth:** 19.68 inches (500 mm)

**Height:** 3.07 inches (78 mm)

### Electrical Connection:

This appliance requires a hard-wired connection to a 220-240V AC power supply. It does not come with a plug.

Professional installation is recommended.

# BUILT-IN INDUCTION COOKTOP 220-240V HARD WIRED

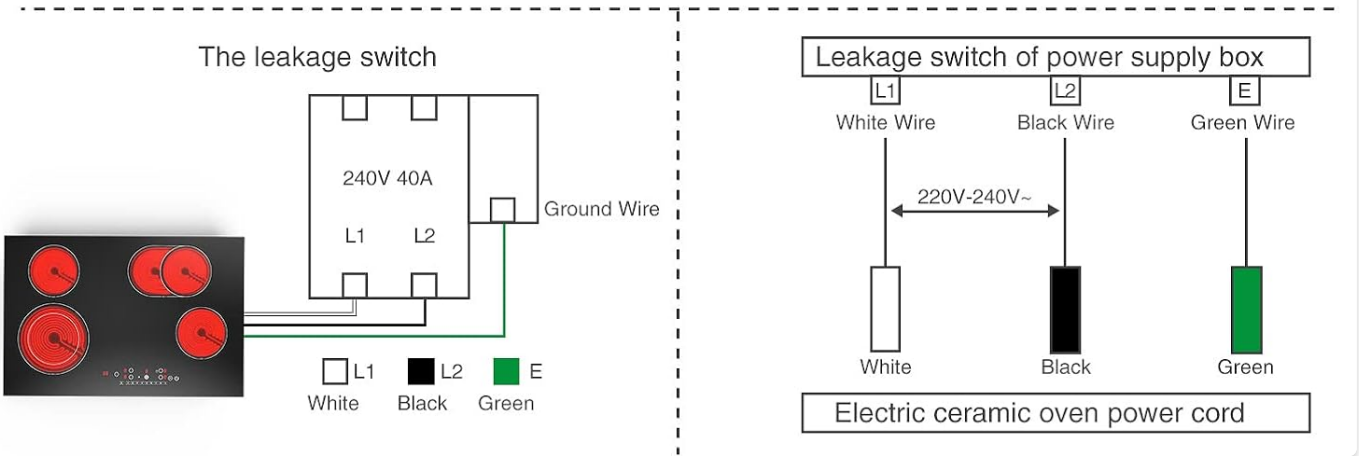


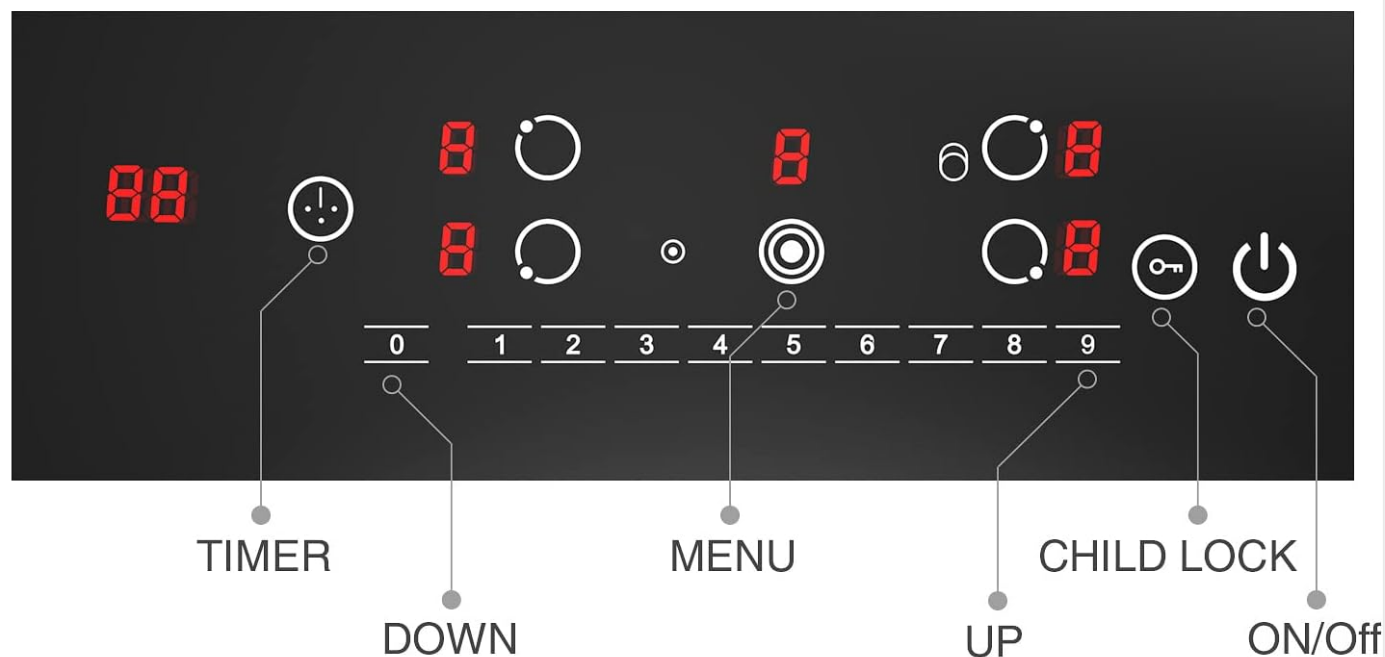
Image: Detailed diagram showing the cooktop's dimensions for built-in installation and a schematic for hard-wired electrical connection (220-240V, 40A) with white, black, and green wires.

## OPERATING INSTRUCTIONS

The cooktop features a user-friendly touch control panel. Familiarize yourself with the controls before first use.

# SCHEMATIC DIAGRAM OF THE CONTROL PANEL

—..



Instant Heating Up



Sensor Touch Control



Child Safety Lock



Over-heating Protection



Residual Indicator



Auto Shutdown Protection

Image: Schematic diagram of the cooktop's touch control panel, highlighting buttons for Timer, Down, Menu, Up, Child Lock, and On/Off, along with indicators for Instant Heating Up, Sensor Touch Control, Child Safety Lock, Over-heating Protection, Residual Indicator, and Auto Shutdown Protection.

## Basic Operation:

1. **Power On/Off:** Touch the **On/Off** button to turn the cooktop on or off.
2. **Select Cooking Zone:** Once powered on, select the desired cooking zone by touching its corresponding indicator.
3. **Adjust Power Level:** Use the **Up** and **Down** buttons to select a power level from 1 to 9.
4. **Timer Function:** Touch the **Timer** button, then use the **Up** and **Down** buttons to set the desired cooking time (1-99 minutes).
5. **Child Lock:** Touch the **Child Lock** button to activate or deactivate the child safety lock. This prevents accidental changes to settings.

## Keep Warm Setting:

To keep food warm, select the lowest heat setting on the desired cooking zone after cooking is complete.

## MAINTENANCE AND CLEANING

---

Regular cleaning and maintenance will ensure the longevity and optimal performance of your cooktop.

### Cleaning the Ceramic Surface:

The ceramic glass surface is easy to clean. Allow the cooktop to cool completely before cleaning. Use a soft cloth and a mild detergent or a specialized ceramic cooktop cleaner. Avoid abrasive cleaners or scouring pads that could scratch the surface.



Image: A hand wiping down the black ceramic cooktop surface with a soft cloth, demonstrating its easy-to-clean nature.

### General Maintenance:

- Regularly check the power cord for any signs of damage.

- Ensure the cooling fan area at the bottom of the cooktop is not obstructed to allow for proper heat dissipation.
- Do not use harsh chemicals or steam cleaners on any part of the appliance.

## TROUBLESHOOTING

If you encounter issues with your cooktop, refer to the following common troubleshooting steps:

Problem	Possible Cause	Solution
Cooktop does not turn on.	No power supply; Child lock activated.	Check circuit breaker; Deactivate child lock.
"H" indicator remains on.	Residual heat.	This is normal. Wait for the surface to cool down.
Cooktop shuts off automatically.	Overheat protection activated; Automatic shutdown.	Allow cooktop to cool; This is a safety feature.
Controls are unresponsive.	Control panel is wet or dirty; Child lock activated.	Clean and dry the control panel; Deactivate child lock.

If the problem persists after attempting these solutions, please contact customer support.

## SPECIFICATIONS

Feature	Detail
Manufacturer	GTKZW
Part Number	US-XM-DT4
Item Model Number	Electric Cooktop 30 Inch
Item Weight	13.8 Kilograms
Product Dimensions (L x W x H)	76.2 x 50.8 x 8.38 cm (approx. 30 x 20 x 3.3 inches)
Size	4 burner electric cooktop
Color	Black
Style	4 Burner Ceramic Cooktop
Material	Ceramic Glass
Power Source Type	Corded Electric (Hard-wired)
Voltage	240 Volts
Wattage	6800 Watts
Installation Method	Built-in

Feature	Detail
Special Features	Timer
Included Components	Cooktop unit only
Batteries Included?	No
Batteries Required?	No
Date First Available	September 29, 2023
Heating Elements	4
Fuel Type	Electric
Heater Surface Material	Glass Ceramic
Cooktop Type	Radiant
Ignition System Type	Electronic

## WARRANTY AND SUPPORT

---

The GTKZW Electric Cooktop comes with a **one-year warranty** from the date of purchase.

For any issues, questions, or support needs, please contact GTKZW customer service. We are committed to providing excellent service and resolving any concerns you may have.