



Manuals.plus /

› ANTLUX /

› ANTLUX 4FT LED Wraparound Light Fixture Instruction Manual (Model AL-N4FTKD-1)

## ANTLUX AL-N4FTKD-1

# ANTLUX 4FT LED Wraparound Light Fixture Instruction Manual

Model: AL-N4FTKD-1

Brand: ANTLUX

## 1. INTRODUCTION

This manual provides comprehensive instructions for the safe installation, proper operation, and routine maintenance of your ANTLUX 4FT LED Wraparound Light Fixture, Model AL-N4FTKD-1. Please read this manual thoroughly before proceeding with installation and retain it for future reference. Adherence to these instructions will ensure optimal performance and longevity of the product.

## 2. PRODUCT FEATURES

- **Adjustable Color Temperature:** Easily switch between 3000K (warm white), 4000K (neutral white), and 5000K (daylight white) to suit various environments and preferences.
- **High Efficiency & Energy Saving:** Delivers 5500 lumens of light output at only 50 watts, offering significant energy savings compared to traditional fluorescent fixtures.
- **Durable Construction:** Features a rugged aluminum housing and a thermal-formed diffuser for soft, comfortable, and glare-free illumination.
- **Linkable Design:** Multiple fixtures can be linked together for extended lighting coverage in larger spaces.
- **Long Lifespan:** Engineered for up to 50,000 hours of maintenance-free operation.



## ENERGY SAVING

Replace less-efficient fluorescent tube light with a 5500 lumens output at 50 watt 4ft led light fixture, Energy savings up to 75%, More save money for your electric bill every month.



50W



5500 Lumens



3000k, 4000k, 5000k



180° Beam Angle



5,0000h+



Image: This illustration highlights the energy-saving aspects of the ANTLUX 4FT LED fixture, showing its 50W power consumption, 5500 lumens output, 3 color temperature options (3000K, 4000K, 5000K), 180-degree beam angle, and 50,000+ hour lifespan.

### 3. SAFETY INFORMATION

Please observe the following safety precautions to prevent injury or damage:

- **WARNING: Risk of Electric Shock.** Always disconnect power at the circuit breaker or fuse box before installing, servicing, or cleaning the fixture.
- Ensure the fixture is properly grounded to avoid potential electrical hazards.
- This product must be installed in accordance with the applicable installation code by a person familiar with the construction and operation of the product and the hazards involved.
- Do not install this fixture in wet locations. It is designed for indoor use only.
- Do not look directly into the LED light source when the fixture is powered on, as this may cause eye strain or damage.
- Do not modify the fixture in any way. Any modifications may void the warranty and create safety risks.
- Consult a qualified electrician if you are unsure about any part of the installation process.

## 4. PACKAGE CONTENTS

---

Verify that all components are present before beginning installation:

- ANTLUX 4FT LED Wraparound Light Fixture (x1)
- Mounting Hardware (screws, wall anchors, wire nuts)
- Instruction Manual (x1)

## 5. SPECIFICATIONS

---

Specification	Value
Model Number	AL-N4FTKD-1
Wattage	50W
Lumen Output	5500lm
Color Temperature	3000K / 4000K / 5000K (Selectable)
Operating Voltage	120V AC
Dimensions (L x W x H)	47.2" x 8" x 2.55"
Lifespan	50,000 hours
Material	Aluminum
Installation Type	Flush Mount
Indoor/Outdoor Usage	Indoor Use Only

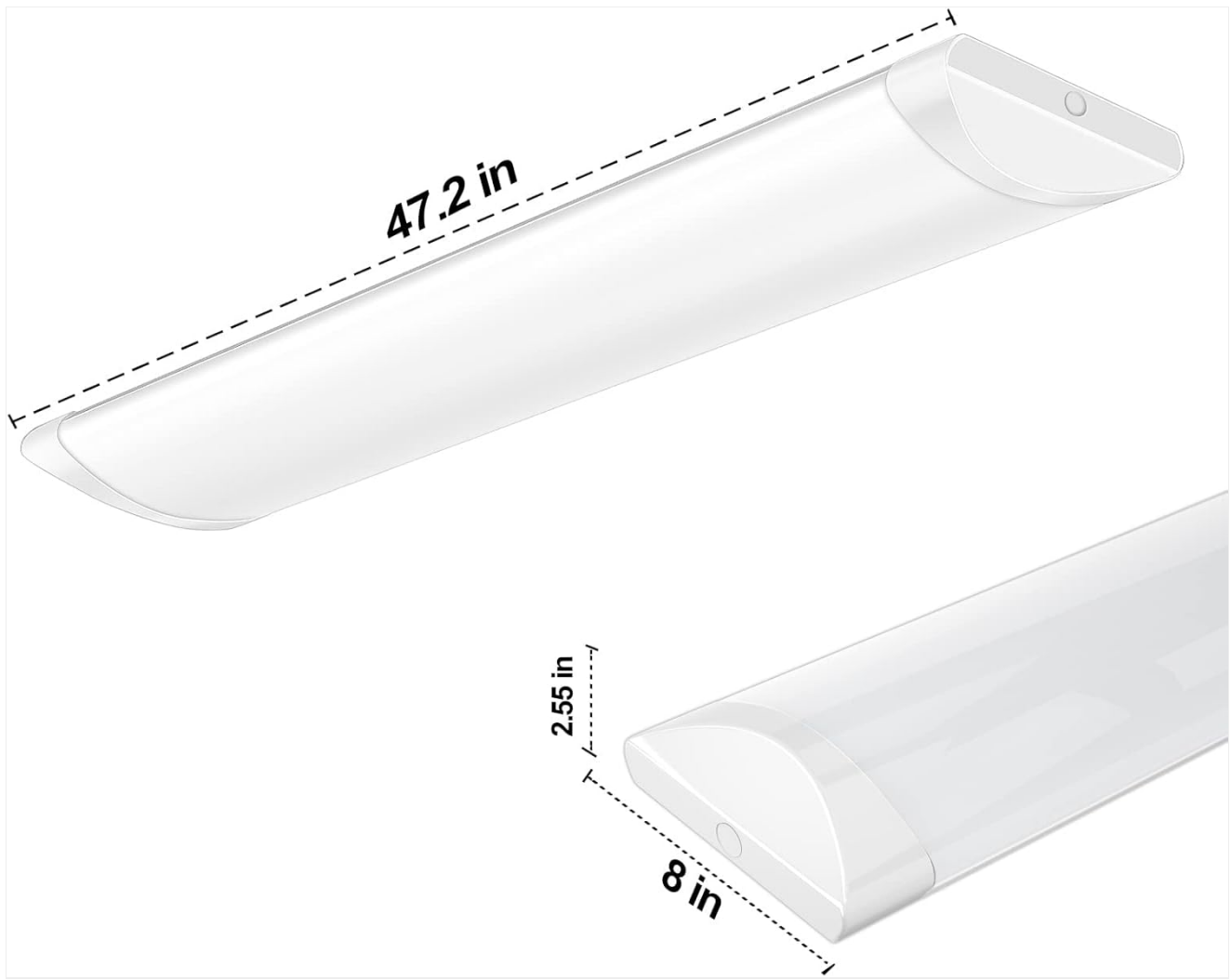


Image: This diagram illustrates the physical dimensions of the ANTLUX 4FT LED Wraparound Light Fixture, measuring 47.2 inches in length, 8 inches in width, and 2.55 inches in height.

## 6. SETUP AND INSTALLATION

Follow these steps for safe and correct installation:

### 1. Prepare for Installation:

- Turn off power at the circuit breaker or fuse box before starting.
- Ensure the mounting surface is structurally sound and can support the weight of the fixture.

### 2. Mount the Fixture Base:

- Position the fixture base against the ceiling where it will be installed.
- Mark the locations for drilling pilot holes using the fixture's mounting holes as a guide.
- Drill pilot holes and insert wall anchors if necessary.
- Secure the fixture base to the ceiling using the provided mounting screws.

### 3. Wiring Connections:

- Connect the household electrical wires to the fixture wires: black to black (live), white to white (neutral), and green/bare copper to green (ground).
- Use the provided wire nuts to secure all connections. Ensure all connections are tight and insulated.

### 4. Attach the Diffuser:

- Carefully align the diffuser with the fixture base.
- Gently press the diffuser into place until it securely snaps onto the fixture base.

### 5. Linkable Design (Optional):

- If linking multiple fixtures, knock out the designated holes on the ends of the fixtures.
- Use appropriate connecting wires (not included) to link the electrical circuits of the fixtures. Ensure all wiring complies with local electrical codes.

### 6. Restore Power:

- Once installation is complete and all connections are secure, restore power at the circuit breaker.
- Test the light fixture.

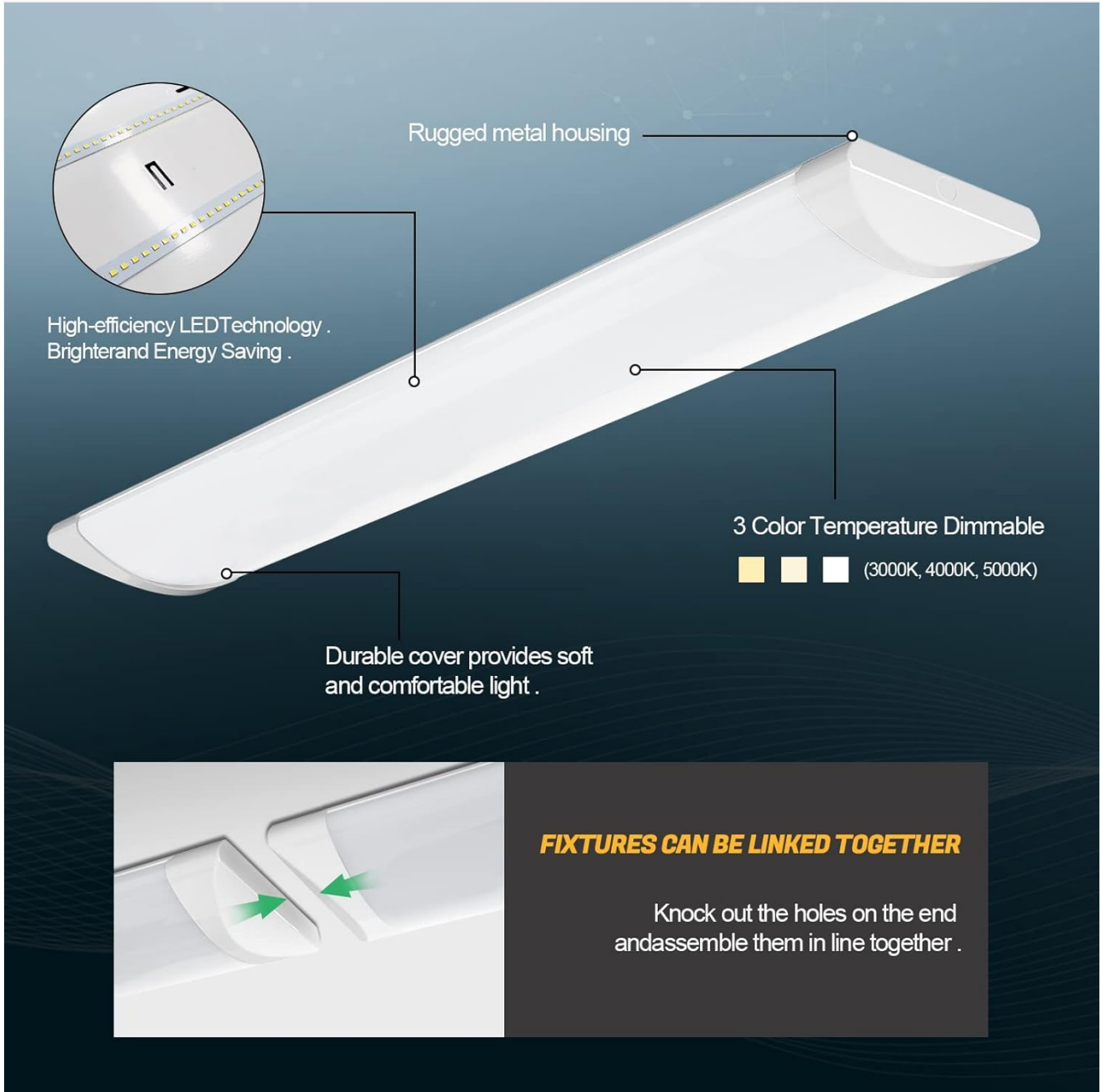


Image: This diagram illustrates the internal structure of the ANTLUX LED fixture, highlighting the high-efficiency LED technology, rugged metal housing, and the mechanism for linking multiple fixtures together by knocking out end holes.

## 7. OPERATING INSTRUCTIONS

The ANTLUX 4FT LED Wraparound Light Fixture features a convenient method for selecting your preferred color temperature:

- **Color Temperature Selection:** The fixture is designed to cycle through its three color temperature settings (3000K, 4000K, 5000K) using a standard wall light switch.

- To change the color temperature, simply toggle the wall switch OFF and then ON within a few seconds. Each toggle will advance the fixture to the next color temperature in sequence.
- The fixture does not require a special dimmer switch for color temperature adjustment.

## **3 COLOR TEMPERATURE DIMMABLE**

It has 3000K, 4000k, 5000K for you to choose. You can just by turn ON and OFF to switch this 4ft led wraparound light to your favored color temperature.

3000K

4000K

5000K

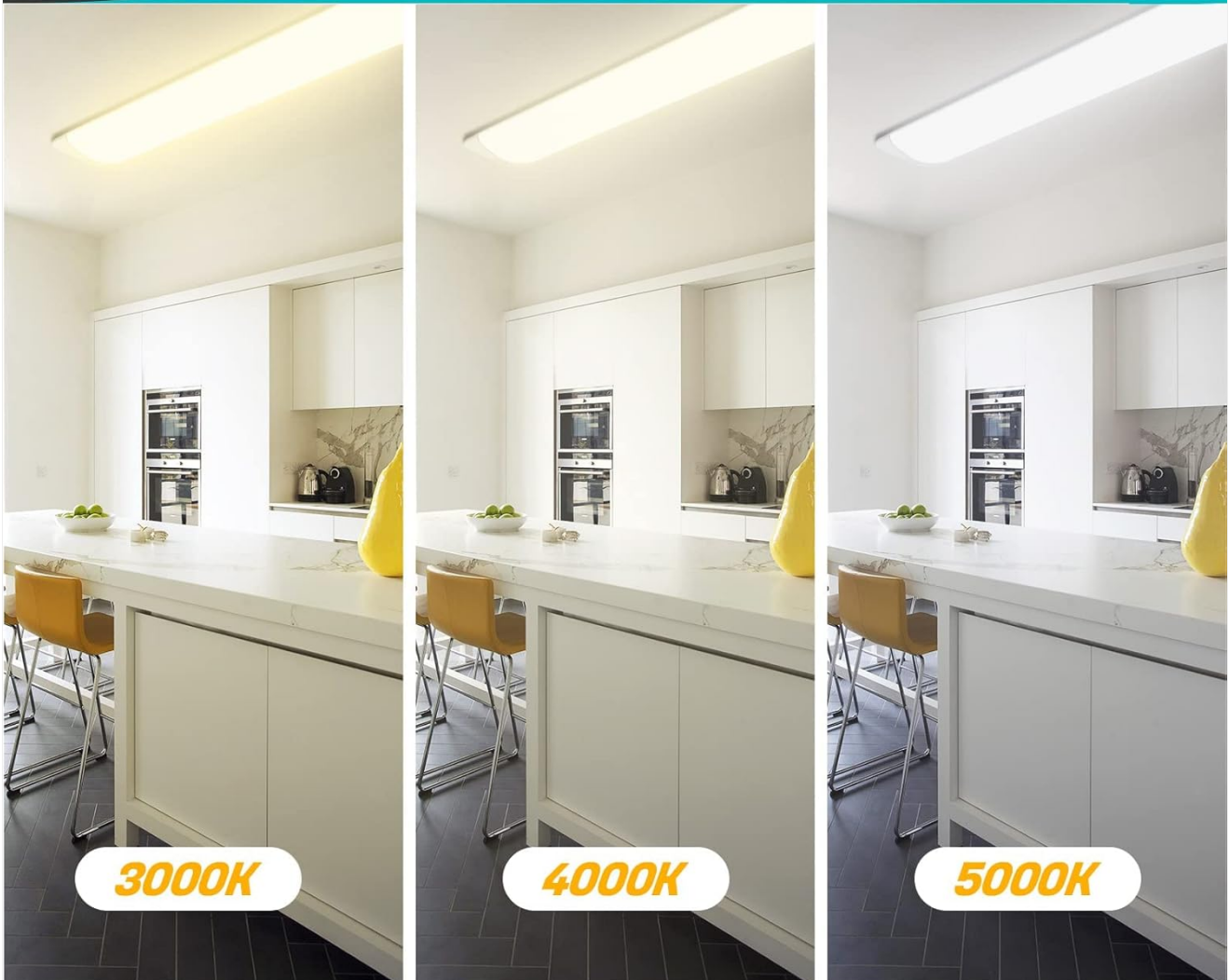


Image: This visual demonstrates the three selectable color temperatures of the ANTLUX 4FT LED fixture: 3000K (warm white), 4000K (neutral white), and 5000K (daylight white), illustrating how the light appearance changes with each setting.

## **8. MAINTENANCE**

The ANTLUX LED fixture requires minimal maintenance:

- **Cleaning:** Ensure the power is turned off before cleaning. Use a soft, dry, or slightly damp cloth to wipe the exterior of the fixture. Do not use abrasive cleaners, solvents, or cleaners containing alcohol, as these can damage the finish or diffuser.
- **No Bulb Replacement:** This fixture uses integrated LED technology, meaning there are no bulbs to replace. The LEDs are designed to last for the entire lifespan of the product.

## **9. TROUBLESHOOTING**

Refer to the following table for common issues and their solutions:

Problem	Possible Cause	Solution
Light does not turn on.	No power to the fixture. Loose wiring connection. Faulty wall switch.	Check circuit breaker/fuse. Verify all wire connections are secure (power off first). Test or replace the wall switch.
Light flickers.	Loose wiring connection. Incompatible dimmer switch (if used).	Check all wire connections (power off first). This fixture is not designed for dimming via a dimmer switch; it uses a standard switch for color temperature selection.
Cannot change color temperature.	Incorrect toggling sequence. Wall switch issue.	Ensure the wall switch is toggled OFF and ON quickly to cycle through settings. Verify the wall switch is functioning correctly.
Diffuser cover falls off.	Improperly secured diffuser.	Ensure the diffuser is fully and evenly snapped into the fixture base.

## 10. WARRANTY AND SUPPORT

ANTLUX products are designed for durability and long-term performance. For any questions, technical assistance, or warranty claims, please contact ANTLUX customer service. Refer to your purchase documentation for specific warranty terms and contact information.

## 11. DISPOSAL INFORMATION

This product contains electronic components and should not be disposed of with general household waste. Please dispose of this product in accordance with local regulations for electronic waste recycling. Contact your local authorities for information on recycling programs in your area.