

Manuals.plus /

- › Sokply /
- › Sokply LED Explosion Proof Light C2 Series 60W 8400LM User Manual

Sokply SK-EX-60WC2N50D120-N

Sokply LED Explosion Proof Light C2 Series 60W 8400LM User Manual

Model: SK-EX-60WC2N50D120-N | Brand: Sokply

1. INTRODUCTION

This manual provides essential information for the safe and efficient installation, operation, and maintenance of your Sokply C2 Series 60W 8400LM LED Explosion Proof Light. This luminaire is designed for hazardous locations, certified to UL844 standards for Class I, Division 1 and 2, or Class II, Division 1 and 2 environments. Please read this manual thoroughly before installation or use.

2. SAFETY INFORMATION

WARNING: Failure to follow these safety instructions may result in fire, electric shock, serious injury, or death.

- Installation must be performed by a qualified electrician in accordance with the National Electrical Code (NEC) and all applicable local codes and ordinances.
- Ensure power is disconnected at the source before installation, maintenance, or servicing.
- This fixture is certified for use in hazardous locations as specified: Class I, Division 1 and 2, Groups C, D; Class II, Division 1 and 2, Groups E, F, G. Do not install in environments exceeding these classifications.
- Verify the supply voltage (100-277V AC) matches the fixture's requirements.
- Do not open the fixture in a hazardous atmosphere.
- Ensure all connections are secure and properly sealed to maintain the IP66 rating.
- Avoid direct eye exposure to the light source when operating.

3. PRODUCT OVERVIEW

The Sokply C2 Series LED Explosion Proof Light is engineered for durability and performance in demanding industrial environments. Key features include:

- **High Brightness:** 8400 Lumens output at 60W.
- **Long Lifespan:** Over 50,000 hours of operation.

- **Robust Construction:** Light-weight aircraft aluminum housing with marine-grade powder coating for corrosion resistance.
- **Advanced Components:** High-quality SMT LED chips and Meanwell LED driver for reliable performance.
- **Environmental Protection:** IP66 waterproof, anti-moisture, and anti-dust enclosure with 10KV surge protection.
- **Eco-Friendly:** No mercury, UV, or IR radiation.

Product Dimensions

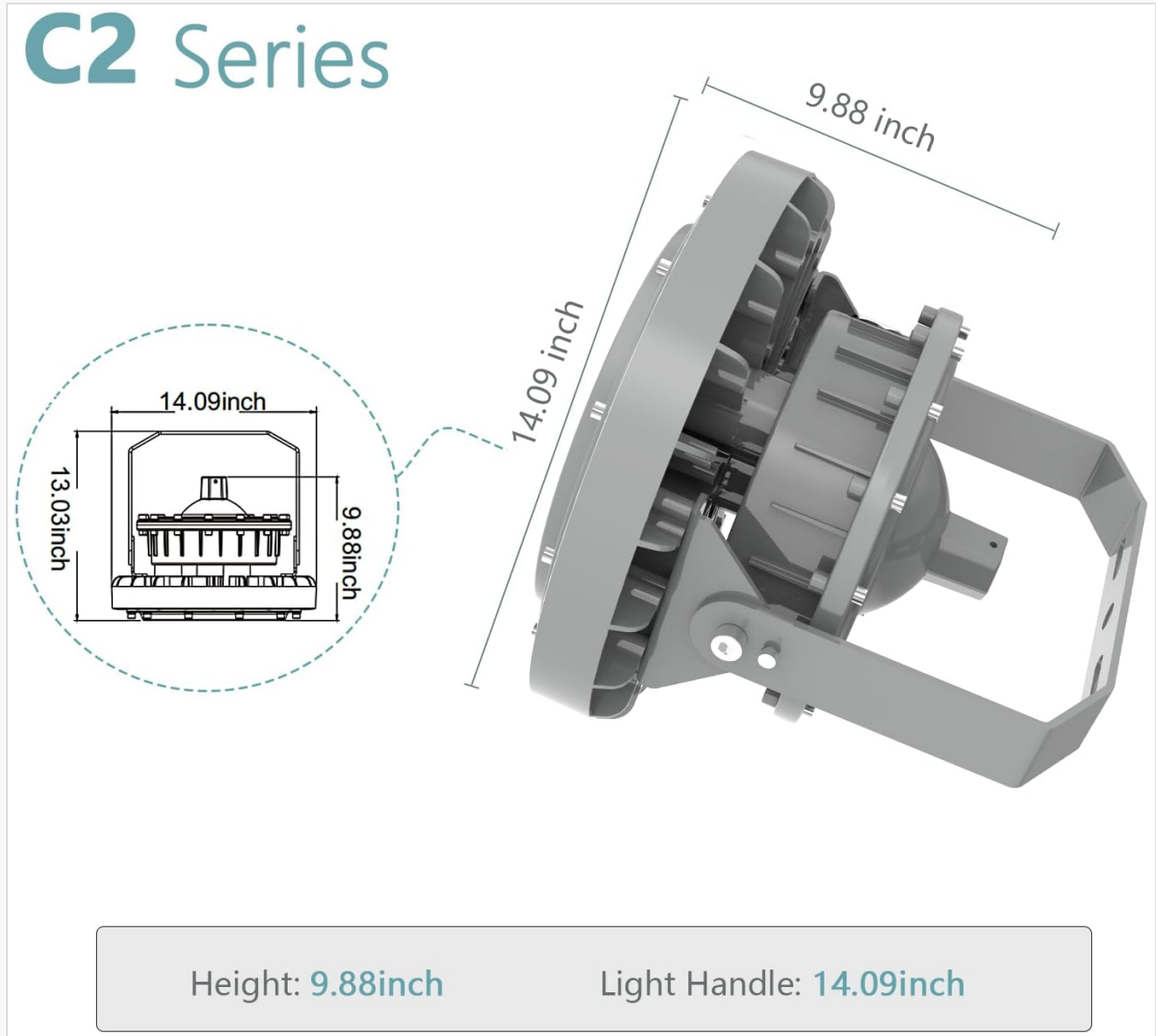


Image 3.1: Product dimensions for the Sokply C2 Series LED Explosion Proof Light. The diagram indicates a height of 9.88 inches, a light handle length of 14.09 inches, and overall dimensions of 9.88"L x 14.09"W x 19.53"H.

Internal Components and Materials



Image 3.2: Detailed view of the light's construction, highlighting the high-quality SMT LED chips, the Meanwell LED driver, the lightweight aircraft aluminum design, and the marine-rated powder-coated finish for enhanced durability.

4. INSTALLATION

The Sokply C2 Series LED Explosion Proof Light offers various mounting options to suit different application needs. Always ensure power is off before beginning installation.

Mounting Methods

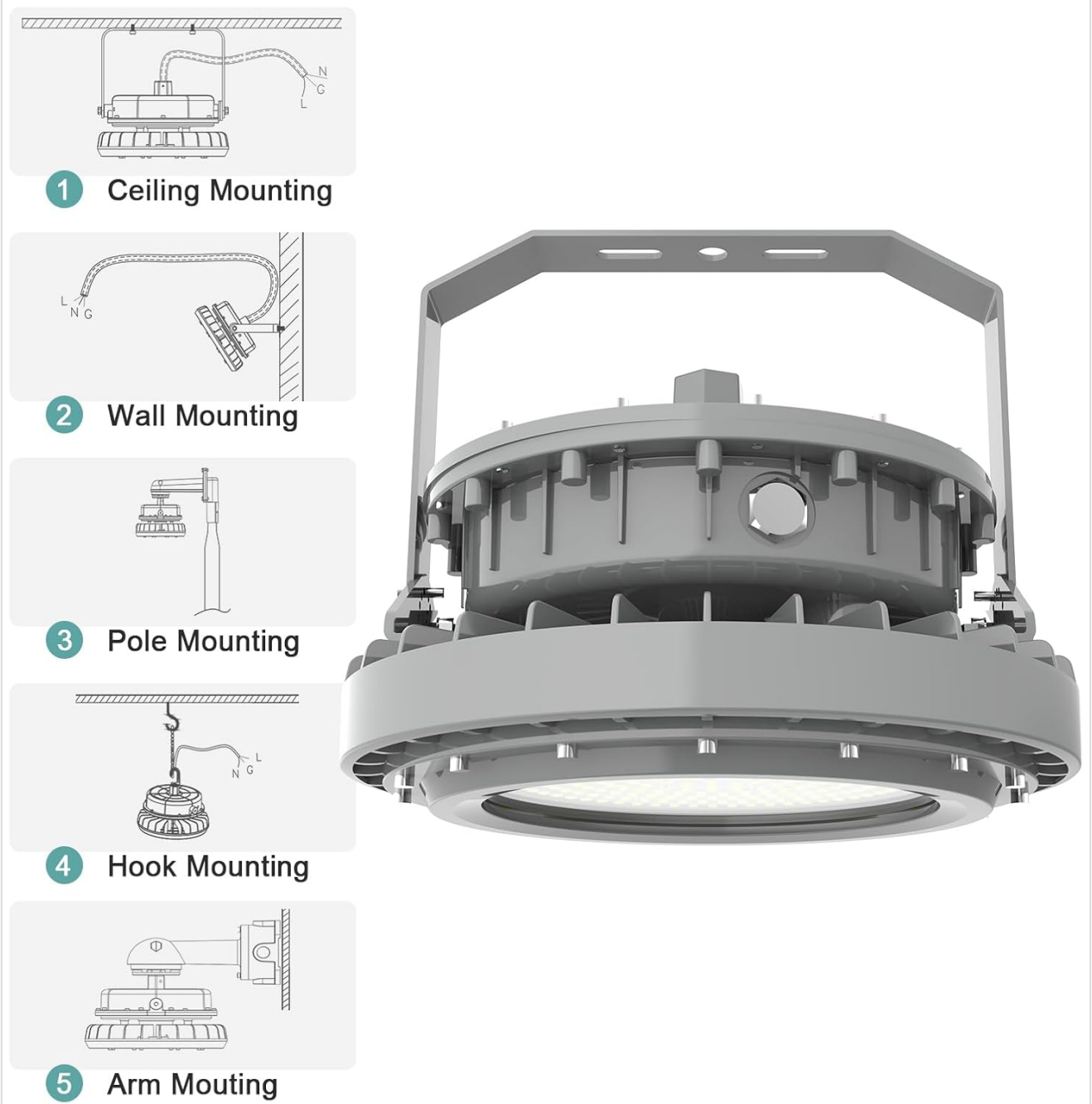


Image 4.1: Visual guide to the available mounting configurations, including ceiling, wall, pole, hook, and arm mounting. Each method requires appropriate hardware and secure attachment to ensure stability and safety.

1. **Ceiling Mounting:** Secure the mounting bracket to the ceiling structure using appropriate fasteners. Attach the light fixture to the bracket, ensuring all connections are tight.
2. **Wall Mounting:** Fasten the bracket to a sturdy wall surface. Position the light fixture and secure it to the wall-mounted bracket.
3. **Pole Mounting:** Utilize a pole mounting adapter (if not included, acquire separately) to attach the fixture to a vertical pole. Ensure the adapter is rated for the fixture's weight and environmental conditions.
4. **Hook Mounting:** For suspended installations, attach a suitable hook to a secure overhead point. Hang the fixture using its integrated hook or a compatible accessory.
5. **Arm Mounting:** Install the arm bracket to a flat surface or pole. Adjust the angle of the fixture on the arm for optimal light direction.

Electrical Connection

- Connect the live wire (L) to the corresponding terminal.

- Connect the neutral wire (N) to the corresponding terminal.
- Connect the ground wire (G) to the ground terminal.
- Ensure all wiring is properly insulated and protected.

5. OPERATING INSTRUCTIONS

Once properly installed and wired, operating the Sokply LED Explosion Proof Light is straightforward:

- After completing the installation and ensuring all safety checks are performed, restore power to the circuit.
- The light will illuminate immediately.
- To turn off the light, disconnect power at the circuit breaker or switch controlling the fixture.

6. MAINTENANCE

Regular maintenance ensures optimal performance and longevity of your explosion-proof light.

- **Cleaning:** Periodically clean the exterior of the fixture with a soft, damp cloth. Do not use abrasive cleaners or solvents. Ensure the fixture is de-energized before cleaning.
- **Inspection:** Annually inspect the fixture for any signs of damage, corrosion, or loose connections. Pay close attention to the lens, housing, and mounting hardware.
- **Seal Integrity:** Verify that all seals and gaskets are intact and free from damage to maintain the IP66 rating.
- **Wiring:** Check wiring for fraying, cuts, or loose connections. Tighten any loose terminals.

CAUTION: Do not attempt to repair or modify the internal components of the fixture. Contact qualified personnel for any repairs.

7. TROUBLESHOOTING

If you encounter issues with your Sokply LED Explosion Proof Light, refer to the following common problems and solutions:

Problem	Possible Cause	Solution
Light does not turn on	No power supply Loose wiring connection Faulty circuit breaker/switch	Check power source and circuit breaker. Verify all wiring connections are secure (ensure power is off first). Test or replace the switch/breaker.
Light is dim or flickers	Incorrect voltage Loose connection Environmental factors (extreme temperature)	Confirm supply voltage is within 100-277V. Check wiring connections. Ensure operating environment is within specified temperature range.
Water or moisture inside fixture	Damaged seal or gasket Improper installation	Immediately de-energize the fixture. Inspect and replace damaged seals/gaskets. Re-install ensuring proper sealing. Contact support if issue persists.

8. SPECIFICATIONS

Specification	Detail
Brand	Sokply
Model Number	SK-EX-60WC2N50D120-N
Wattage	60 watts
Brightness	8400 Lumens
Voltage	100-277 Volts (AC)
IP Rating	IP66 (Waterproof)
Material	Aluminum, Plastic
Product Dimensions (L x W x H)	9.88" x 14.09" x 19.53"
Light Source	LED
Light Color	Cool White
Control Method	App (Note: Specific app details not provided in product data)
Certifications	UL844, ETL, DLC Rated, Class I Division I
Lifespan	50,000+ hours
Included Components	Bulb (integrated LED)

9. APPLICATIONS

The Sokply C2 Series LED Explosion Proof Light is suitable for a wide range of hazardous industrial environments, ensuring continuous and safe illumination.



Gas Stations



Oil And Gasoline Loading Docks

APPLICATION



Oil Refineries



Distilleries



Oil Tanker



Mines

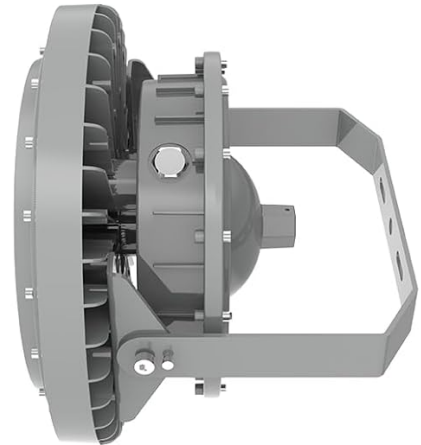


Image 9.1: Examples of typical installation environments for the explosion-proof light, such as gas stations, oil and gasoline loading docks, oil refineries, distilleries, oil tankers, and mines, where flammable gases or dust may be present.

10. PRODUCT VIDEO OVERVIEW

Watch this official product video for a visual overview of the Sokply LED Explosion Proof Light C Series, highlighting its features and mounting options.

Video 10.1: Official product video from Sokply Office USA showcasing the features, durability, and various mounting methods of the C Series LED Explosion Proof Light. The video demonstrates the light's robust construction and suitability for hazardous environments.

11. WARRANTY AND SUPPORT

Sokply offers a **5-year warranty** against any manufacturing defects for this LED Explosion Proof Light. For technical support, warranty claims, or any questions regarding your product, please contact Sokply customer service. Please retain your purchase receipt as proof of purchase for warranty purposes.

