

[Manuals.plus](#) /

> [OmySalon](#) /

> OmySalon Salon Station Instruction Manual (Model G59000586)

## OmySalon G59000586

# OmySalon Salon Station Instruction Manual

Model: G59000586

Brand: OmySalon

### PRODUCT OVERVIEW

This OmySalon Salon Station is a versatile storage cabinet designed for hair stylists, beauty salons, and home use. It features ample storage, durable construction, and practical design elements to organize various beauty tools and supplies.

### Key Features

- **Large Storage Capacity:** Two sliding drawers, one lockable for valuables. Cabinet size (inside): approximately 12.5" x 16.6" x 19.4". Large bottom cabinet for various beauty tools and supplies.
- **6 Hot Tool Holders:** Inside diameter of the holes: 2.2". Provides space for combs, hair dryers, curling irons, and other tools.
- **High-Quality Construction:** Made from medium-density fiberboard (MDF) and high-strength aluminum alloy handles. Features a smooth, black veneer surface for durability and easy cleaning.
- **Versatile Use:** Suitable for barbershops, beauty salons, beauty parlors, and personal home use.
- **Easy Assembly:** Includes detailed instructions for a straightforward installation process.

### SAFETY INFORMATION

- Assemble with care due to the weight of the unit.
- Be cautious of finger injuries when operating sliding doors.
- Do not overload the cabinet; the maximum weight capacity is 52 lbs.
- Avoid using harsh chemicals for cleaning.

### SETUP AND ASSEMBLY

This salon station requires assembly. Please follow the included instructions carefully.

### Before You Begin

- Verify all parts are present according to the packing list.
- Ensure you have the necessary tools (e.g., screwdriver).
- Choose a clear, spacious area for assembly.

## Assembly Steps

Refer to the detailed assembly guide provided in the product packaging for step-by-step instructions and diagrams.

**Tip:** Some users find a power drill helpful for faster assembly, but exercise caution to avoid overtightening screws.



Image: The OmySalon Salon Station integrated into a salon environment, showcasing its professional appearance and functionality.

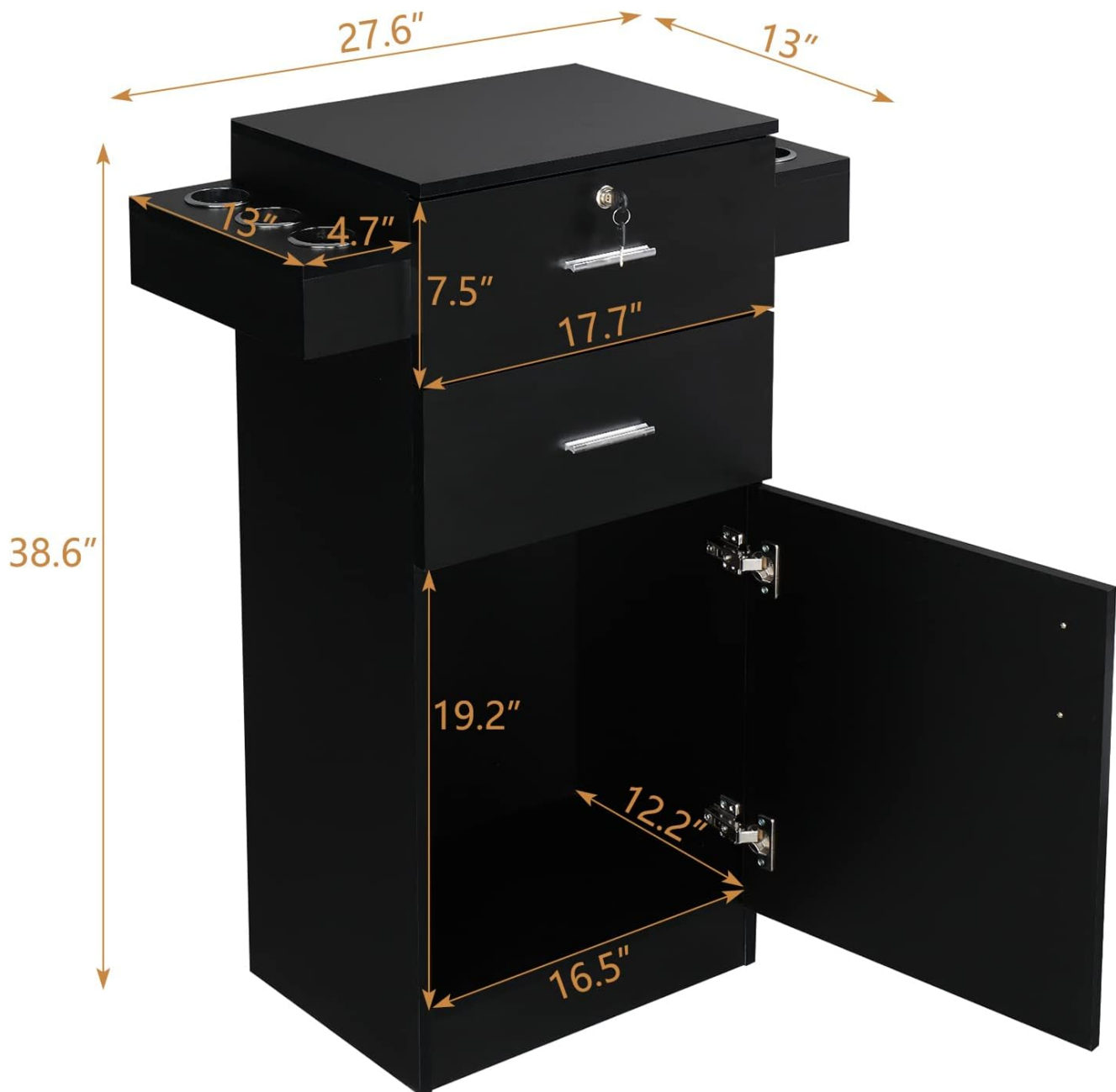


Image: A diagram illustrating the precise dimensions of the salon station, including height, width, and depth of various compartments.

## OPERATION

### Using the Drawers

The unit features two sliding drawers. The top drawer is equipped with a lock for securing valuable items. Insert the key and turn to lock or unlock.



## Spacious Storage Space



Meet daily storage needs,  
storage worry-free

Image: A close-up view of the top drawer, highlighting the integrated lock and key for secure storage.

### Utilizing the Hot Tool Holders

The side panels extend to reveal six circular holders designed to accommodate hair dryers, curling irons, and other hot styling tools. These holders are made from an upgraded alloy for heat resistance.

# PROFESSIONAL BARBER SALON STATION



Large Cabinet

Storage Drawers

Hair Dryer Holder

Image: A detailed shot of the heat-resistant alloy holders for styling tools, located on the side extension of the station.

## Cabinet Storage

The large bottom cabinet provides ample space for storing larger items, such as towels, product bottles, or other salon supplies.

# Upgrade Alloy Dryer Holder

Heat resistant & convenient to storage



Image: The open bottom cabinet, revealing its spacious interior suitable for various salon essentials.

## MAINTENANCE AND CARE

### Cleaning

To clean the surface of the salon station, wipe with a damp cloth. Avoid using harsh chemicals or abrasive cleaners, as these may damage the finish.

### General Care

- Regularly check all screws and fasteners to ensure they remain tight.
- Keep the unit dry and away from excessive moisture.
- Do not place excessively heavy items on the top surface or inside the drawers/cabinet to prevent damage and maintain stability.

## TROUBLESHOOTING

## Drawers are Sticking or Not Sliding Smoothly

- **Check Alignment:** Ensure the drawer slides are correctly aligned and free from obstructions.
- **Lubrication:** Apply a small amount of silicone spray or wax to the drawer slides to improve movement.
- **Overload:** Reduce the weight in the drawer if it is overloaded, as this can cause sticking.

## Cabinet Door Not Closing Properly

- **Hinge Adjustment:** Check the hinges for proper alignment. Adjust if necessary using a screwdriver.
- **Obstruction:** Ensure nothing inside the cabinet is blocking the door from closing fully.

## Unit Feels Unstable

- **Re-tighten Fasteners:** Carefully re-tighten all assembly screws.
- **Level Surface:** Ensure the salon station is placed on a flat, level surface.

## PRODUCT SPECIFICATIONS

Feature	Detail
Brand	OmySalon
Model Number	G59000586
Color	Black
Material	Aluminum, Engineered Wood (MDF)
Product Dimensions	13"D x 27.6"W x 38.6"H
Item Weight	52 Pounds
Number of Drawers	2
Number of Hot Tool Holders	6 (2.2" inner diameter)
Lockable Drawer	Yes (1)
Installation Type	Freestanding
Required Assembly	Yes
Weight Capacity Maximum	52 Pounds
Product Care Instructions	Wipe with Damp Cloth

## WARRANTY AND CUSTOMER SUPPORT

### Warranty Information

For specific warranty details, please refer to the warranty card included with your product or contact OmySalon customer service.

### Customer Support

If you encounter any issues or have questions regarding your OmySalon Salon Station, please contact our customer support team.

**Contact Information:** Refer to the contact details provided in your product packaging or visit the official OmySalon website.