

## Manuals+

[Q & A](#) | [Deep Search](#) | [Upload](#)

manuals.plus /

› [ARLIME](#) /

› [ARLIME 28 Inch Electric Fireplace Insert Instruction Manual - Model FP10048US](#)

## ARLIME FP10048US

# ARLIME 28 Inch Electric Fireplace Insert Instruction Manual

Model: FP10048US (EF-28)

## 1. INTRODUCTION

---

This manual provides essential information for the safe operation, installation, maintenance, and troubleshooting of your ARLIME 28 Inch Electric Fireplace Insert. Please read this manual thoroughly before installation and use, and retain it for future reference.

## 2. IMPORTANT SAFETY INSTRUCTIONS

---

When using electrical appliances, basic precautions should always be followed to reduce the risk of fire, electric shock, and injury to persons, including the following:

- Read all instructions before using this heater.
- This heater is hot when in use. To avoid burns, do not let bare skin touch hot surfaces. Keep combustible materials, such as furniture, pillows, bedding, papers, clothes, and curtains at least 3 feet (0.9 m) from the front of the heater and keep them away from the sides and rear.
- Extreme caution is necessary when any heater is used by or near children or invalids and whenever the heater is left operating and unattended.
- Always unplug heater when not in use.
- Do not operate any heater with a damaged cord or plug or after the heater malfunctions, has been dropped or damaged in any manner. Discard heater, or return to authorized service facility for examination and/or repair.
- Do not run cord under carpeting. Do not cover cord with throw rugs, runners, or similar coverings. Arrange cord away from traffic area and where it will not be tripped over.
- To disconnect heater, turn controls to off, then remove plug from outlet.
- Do not insert or allow foreign objects to enter any ventilation or exhaust opening as this may cause an electric shock or fire, or damage the heater.
- To prevent a possible fire, do not block air intakes or exhaust in any manner. Do not use on soft surfaces, like a bed, where openings may become blocked.
- All electrical heaters have hot and arcing or sparking parts inside. Do not use it in areas where gasoline, paint, or flammable vapors or liquids are used or stored.
- Use this heater only as described in this manual. Any other use not recommended by the manufacturer may cause fire, electric shock, or injury to persons.
- This heater is ETL certified, ensuring safety standards are met.

### 3. PRODUCT OVERVIEW

---

The ARLIME 28 Inch Electric Fireplace Insert offers a realistic flame effect with adjustable heat settings, designed for both recessed and freestanding installations. It provides supplemental zone heating for areas up to 400 square feet.

#### Key Features:

- **Realistic Flame Effect:** Features 3D adjustable flames with realistic wood burning logs, operable with or without heat.
- **Efficient Heating:** Provides 1400W (5000 BTU) of infrared heat, capable of warming up to 400 square feet.
- **Thermostat Control:** Built-in thermostat allows temperature adjustment from 62°F to 82°F.
- **Dual Control:** Operable via a touch screen panel on the unit or a convenient remote control.
- **Safety Features:** Equipped with overheating protection and ETL certification.
- **Timer Function:** Includes a timer for automatic shut-off, enhancing convenience.

#### Included Components:

- Electric Fireplace Insert
- Remote Control
- Realistic Log Set



Figure 1: ARLIME 28 Inch Electric Fireplace Insert with remote control and various flame color options displayed below.

## 4. SETUP AND INSTALLATION

The ARLIME 28 Inch Electric Fireplace Insert is designed for versatile installation, including in-wall recessed, freestanding, or integration into a TV stand or decorative fireplace cabinet.

### Dimensions:

- Product Dimensions: 9.5"D x 29"W x 20.5"H

### Installation Guidelines:

1. **Unpacking:** Carefully remove the fireplace insert from its packaging. Retain all packaging materials for future transport or storage.
2. **Location Selection:** Choose a location that is dry, level, and away from direct sunlight, heat sources, and high traffic areas. Ensure there is a grounded 120V AC outlet nearby.
3. **Clearance:** Maintain a minimum clearance of 3 feet (0.9 m) from combustible materials (curtains, furniture, bedding) to the front, sides, and rear of the heater.

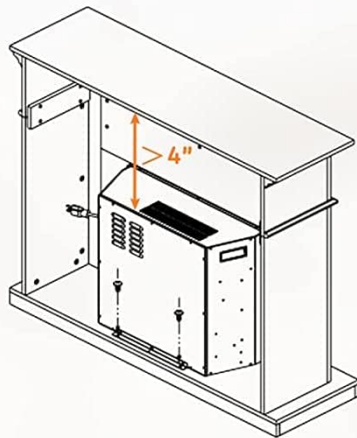
4. **Power Switch:** Before installation, ensure the main heating switch (often located on the side or rear of the unit) is in the "ON" position.
5. **Recessed Installation:** If recessing into a wall or cabinet, ensure the opening dimensions match the fireplace insert's specifications. Leave at least 4 inches of safe distance on top of the electric fireplace for proper ventilation.
6. **Freestanding Installation:** For freestanding use, ensure the unit is placed on a stable, level surface.
7. **Connection:** Plug the power cord into a grounded 120V AC outlet. Do not use extension cords or power strips.

## Product Dimensions & Installation Instruction



### Heater Switch

Note: Turn on the main heating switch before installation



Leave 4" safe distance on the top of the electric fireplace



Figure 2: Detailed product dimensions and visual guidance for installation, highlighting the heater switch.

# Suitable for Various Occasions



Install in the TV stand



Install in the decorative fireplace cabinet



Install in the wall



Freestanding

Figure 3: Examples of the fireplace insert in different installation scenarios, including TV stand, cabinet, wall, and freestanding.

Your browser does not support the video tag.

Video 1: An official product video demonstrating the RELAX4LIFE 28.5" Electric Fireplace Insert, showcasing its features and operation.

## 5. OPERATING INSTRUCTIONS

Your ARLIME Electric Fireplace Insert can be operated using the touch control panel on the unit or the included remote control.

### Control Panel & Remote Functions:

# Easy to Adjust the Heat Settings

## Touch Panel & Remote Control



Figure 4: The touch control panel on the fireplace insert for direct operation.



Figure 5: The remote control and its various functions for convenient operation.

- **Power On/Off:** Press the power button to turn the unit on or off.
- **Flame Control:** Adjust the flame effect. The unit offers 3 flame colors and 5 brightness levels.



Figure 6: Visual representation of the adjustable flame colors and brightness.

- **Heater On/Off:** Activate or deactivate the heating function. The heater operates at 750W or 1500W.
- **Temperature Control:** Use the temperature buttons to set your desired room temperature between 62°F and 82°F. The infrared heater will automatically maintain this temperature.

- **Timer:** Set the timer for automatic shut-off from 0.5 to 6 hours.



Figure 7: The infrared heating function with thermostat control, providing warmth to the room.

# Fast and Efficient Heating

## Evenly Heating in Full Range

Heating Modes: 750W/1500W Heating Range: 400 sq.ft



Figure 8: The fireplace's heating capabilities, offering two power modes for efficient warming.

## 6. MAINTENANCE

---

Regular maintenance ensures the longevity and optimal performance of your electric fireplace insert. Always unplug the unit before performing any maintenance.

### Cleaning:

- **Exterior:** Wipe the exterior surfaces with a soft, damp cloth. Do not use abrasive cleaners or solvents.
- **Glass Panel:** Clean the glass panel with a soft cloth and a glass cleaner. Do not spray cleaner directly onto the unit.
- **Air Vents:** Use a vacuum cleaner with a brush attachment to gently clean dust from the air intake and exhaust vents.

### Storage:

When not in use, store the fireplace insert in a cool, dry place, preferably in its original packaging, to protect it from dust and damage.

## 7. TROUBLESHOOTING

---

If you experience issues with your electric fireplace, refer to the following common problems and solutions:

Problem	Possible Cause	Solution
Unit does not turn on.	No power to the unit; Main power switch off; Remote control batteries dead.	Check power outlet and circuit breaker. Ensure main power switch (usually on the unit's side/rear) is ON. Replace remote batteries.
No heat output.	Heater function is off; Thermostat set too low; Overheating protection activated.	Activate heater function via control panel or remote. Increase thermostat setting. Unplug unit for 15 minutes to reset overheating protection.
Flame effect not working.	Flame effect is off; LED lights malfunction.	Activate flame effect via control panel or remote. If issue persists, contact customer support.
Remote control not responding.	Batteries are dead or incorrectly inserted; Obstruction between remote and unit; Remote sensor blocked.	Replace batteries, ensuring correct polarity. Remove any obstructions. Ensure remote sensor on unit is clear.

## 8. SPECIFICATIONS

Feature	Detail
Brand	ARLIME
Model Name	FP10048US (EF-28)
Product Dimensions	9.5"D x 29"W x 20.5"H
Item Weight	41.9 pounds
Material	Metal, Tempered Glass
Color	Black
Power Source	Corded Electric
Heat Output	5000 British Thermal Units (1400W)
Heating Coverage	400 square feet
Installation Type	Wall Mount, Freestanding
Special Features	Adjustable Flame, Infrared Heater, Thermostat, Timer
Included Components	Log Set, Remote Control

## 9. WARRANTY AND SUPPORT

The ARLIME 28 Inch Electric Fireplace Insert comes with a **Limited Warranty**. For specific details regarding warranty coverage, duration, and terms, please refer to the warranty card included with your product or contact ARLIME customer service.

### Customer Support:

For technical assistance, troubleshooting not covered in this manual, or warranty claims, please contact ARLIME customer support. Contact information can typically be found on the manufacturer's website or on the product packaging.

- **Manufacturer:** ARLIME
- **Website:** [Visit the ARLIME Store on Amazon](#)
- Please have your model number (FP10048US) and purchase date ready when contacting support.